

LED LIGHTS KIT



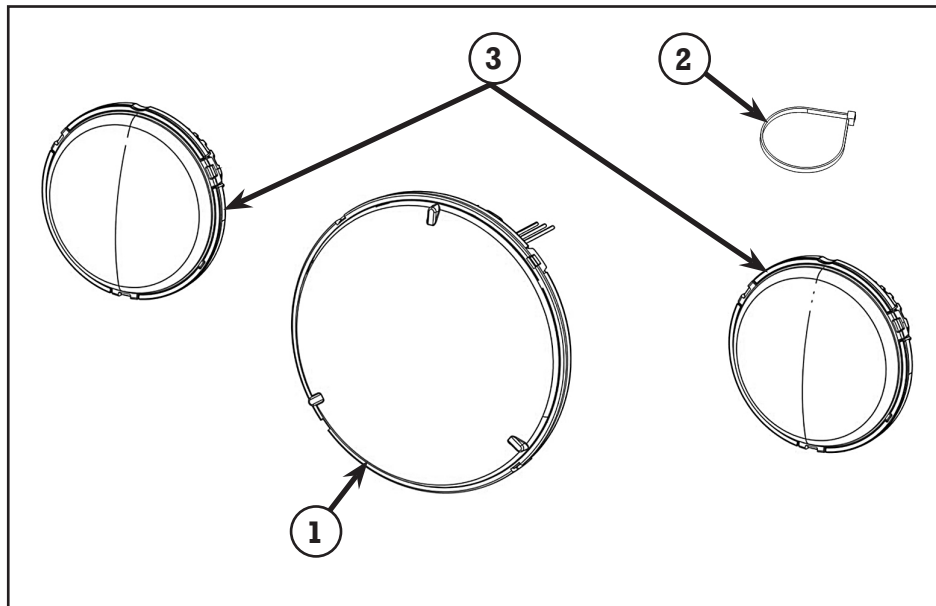
P/N 2880289; 2880621

APPLICATION

MY15 - 16 INDIAN MOTORCYCLES WITH THUNDERSTROKE 111

BEFORE YOU BEGIN

Read these instructions and check to be sure all parts and tools are accounted for. Please retain these installation instructions for future reference and parts ordering information. For your safety, and to ensure a satisfactory installation, perform all installation steps correctly in the sequence shown below.



KIT CONTENTS (PN 2880289)

Ref	Qty	Part Description	Part Number
1	1	Headlight-LED	2412961
2	1	Nylon Tie Strap	7080138
	1	Instructions	9925238

KIT CONTENTS (PN 2880621)

Ref	Qty	Part Description	Part Number
3	2	Driving Light-LED	2412962
	1	Instructions	9925238

TOOLS NEEDED

Flat Blade Screw Driver

#2 Phillips Screw Driver

5 mm Ball End Hex Wrench

4 mm Hex Wrench

6 mm Hex Wrench

Ratchet Wrench

Needle Nose Pliers

Torque Wrench

APPROXIMATE ASSEMBLY TIME

48 min

IMPORTANT

Your Indian LED LIGHTS KIT is exclusively designed for your vehicle. Please read the installation instructions thoroughly before beginning. Installation is easier if the vehicle is clean and free of debris. For your safety, and to ensure a satisfactory installation, perform all installation steps correctly in the sequence shown.

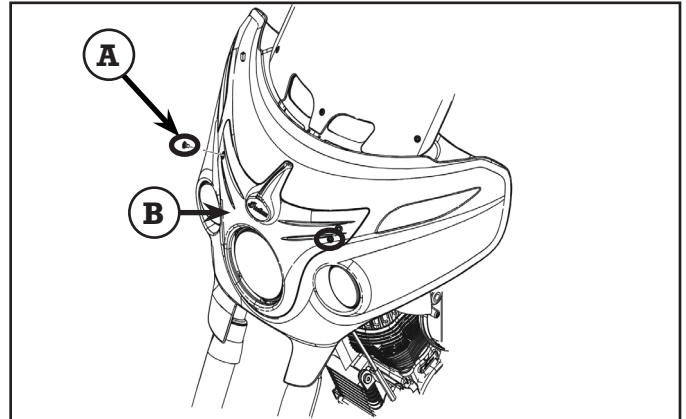
INSTALLATION INSTRUCTIONS (FAIRING MODELS)

Headlight

NOTE: While the headlight can be replaced without splitting the fairing assembly, the fairing will need to be split to install the driving lights.

1. Remove screws (A) from the headlight bezel (B). Next remove the headlight bezel by lifting at upper corners and pulling straight out to release the three darts (hidden) from the rubber grommets as shown in figure.

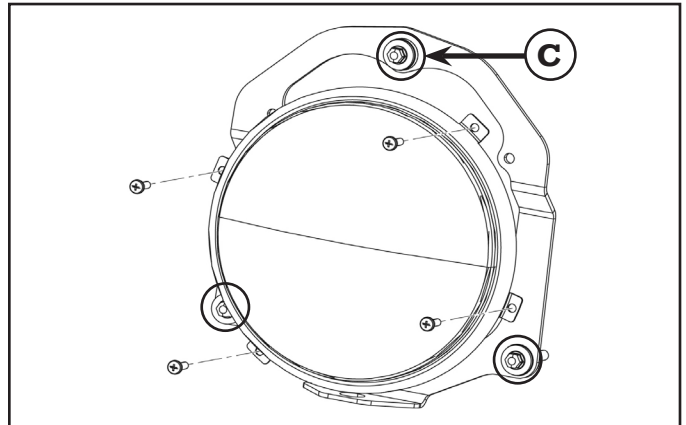
NOTE: Do not use excessive force. Work the bezel out slowly until it releases from the grommets.



2. Using a Phillips #2 screwdriver, remove the three screws (C) that fasten the headlight bracket to the fairing as shown in figure.
3. Remove the retaining bracket and remove the headlight from the plastic housing.

NOTE: If you are installing LED Driving Lights, skip to the Driving Lights section.

4. Install the new LED Headlight.



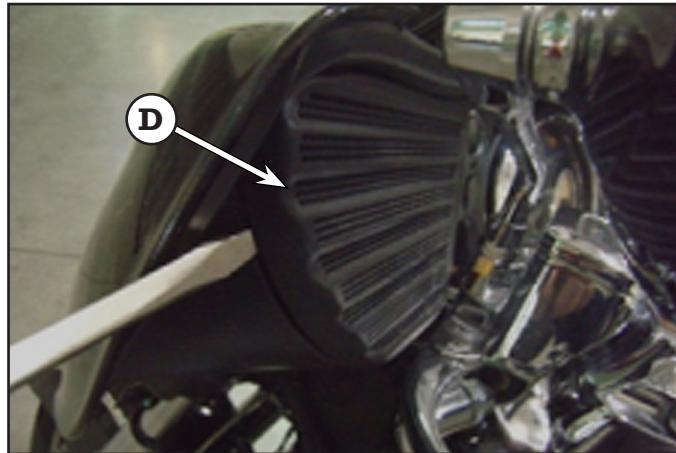
5. Install nylon tie strap (2) as shown in figure. Cut off the excess length from the nylon tie wrap.



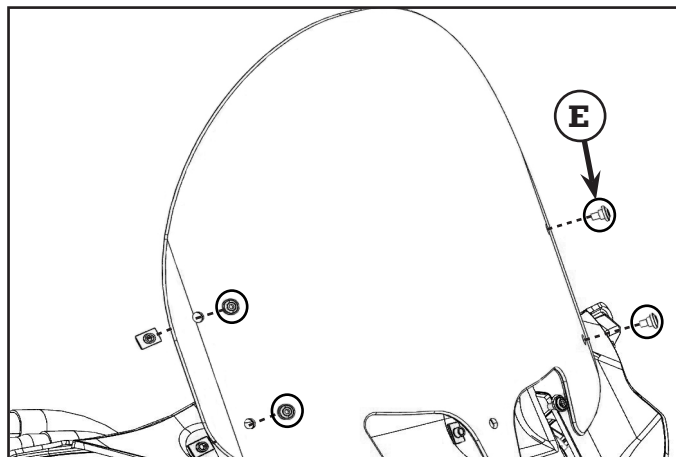
6. Reverse removal procedure to install.
7. Torque all fasteners to the specification shown below upon reassembly.
 - Torque the Headlight Carrier to Fairing bolts to 7.0 ft. lbs. (10 Nm).
 - Torque the Headlight Retaining Ring Screws to 12 in-lbs. (1.4 Nm).
 - Torque the Bezel Screws to 36 in-lbs. (4.1 Nm).

Driving Lights

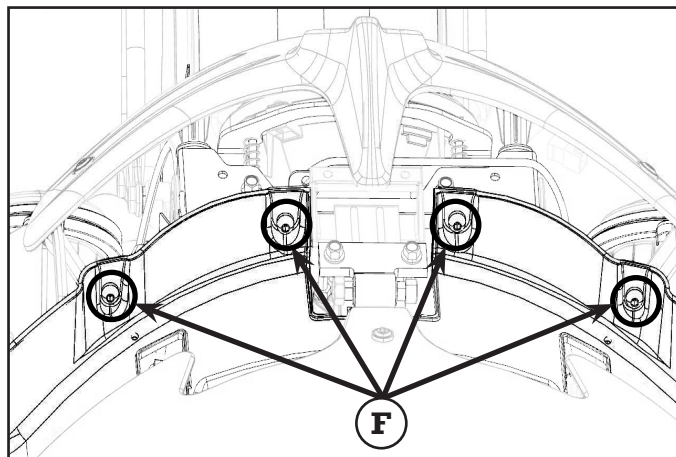
1. Remove the two screws from the headlight bezel, if they are not already removed as shown in Headlight instruction Step 1 figure.
2. Remove the three screws that fasten the headlight to the fairing, if they are not already removed as shown in Headlight instruction Step 2 figure.
3. Using a flat blade screw driver, remove the speaker grilles (D) as shown in figure.



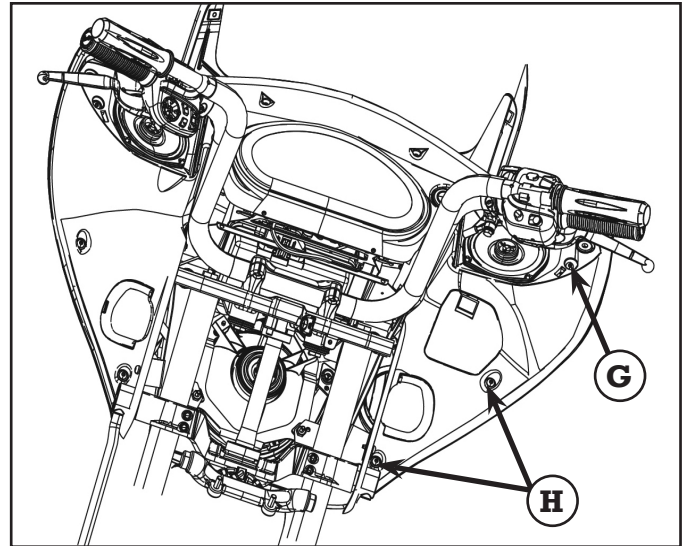
4. Raise the windshield to access the five screws (E) that attach the windshield. Remove the windshield screws and windshield as shown in figure.



5. Remove the four fairing screws (F) in the windshield pocket as shown in figure.

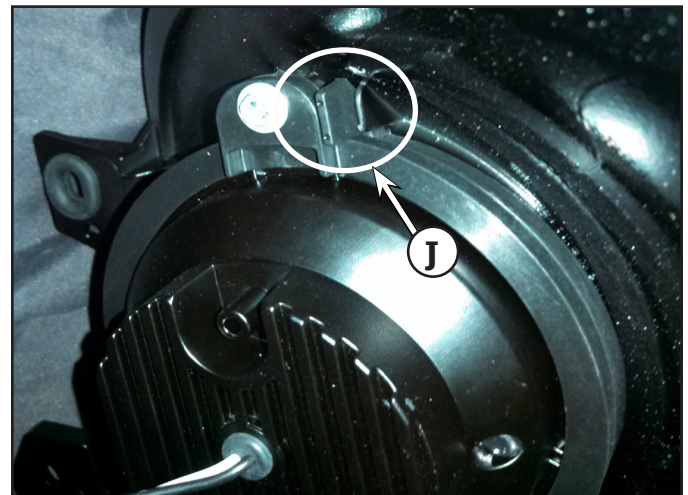


6. Remove the three screws on the LH and RH side of the fairing. Two of the screws (H) are exposed and one is behind the speaker grille (G) as shown in figure. Please note for reassembly that the screw behind the speaker grille is longer than the other two screws.
7. Pull the front fairing out far enough to access the wires to the turn signals and driving lights. Cut the zip ties holding the left and right turn signals/driving light wires and disconnect the electrical connectors for each. Remove the front fairing.



8. Prepare an area with clean soft towels or similar padding to protect the painted finish. Set the front fairing upside down on the protected surface to gain access to the driving light carrier screws.
9. Remove three screws for each left and right side driving lights. Set the six screws aside for reuse.
10. Remove the driving light carrier and driving light.

11. Ensure the LED driving light is oriented properly with the alignment (J) tab on the inner carrier fitted between the alignment guide in the fairing and the fastener tab on the outer carrier as shown in figure.



12. Reverse removal procedure to complete installation. Torque all fasteners to specification upon reassembly.
 - Torque the Headlight Carrier to Fairing bolts to 7.0 ft. lbs. (10 Nm).
 - Torque the headlight retaining ring screws to 12 in-lbs. (1.4 Nm).
 - Torque the bezel crews to 36 in-lbs. (4.1 Nm).
 - Torque the three driving light retaining screws to 6 in-lbs. (0.7 Nm).
 - Torque the ten fairings screws to 36 in-lbs. (4.1 Nm).

⚠ WARNING

Ensure that there is clearance at all points when the handlebars are fully turned in either direction. Insufficient clearance may cause damage to the motorcycle or a loss of control that could result in severe injury or death.

INSTALLATION INSTRUCTIONS (NACELLE MODELS)

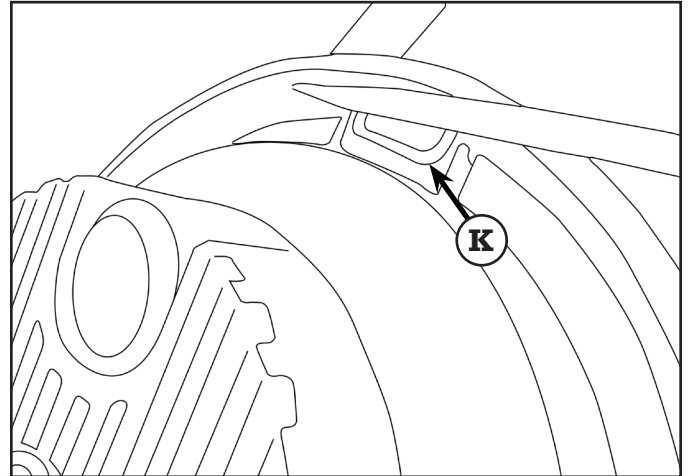
CAUTION: Update Vehicle Control Module software before starting installation.

Removal

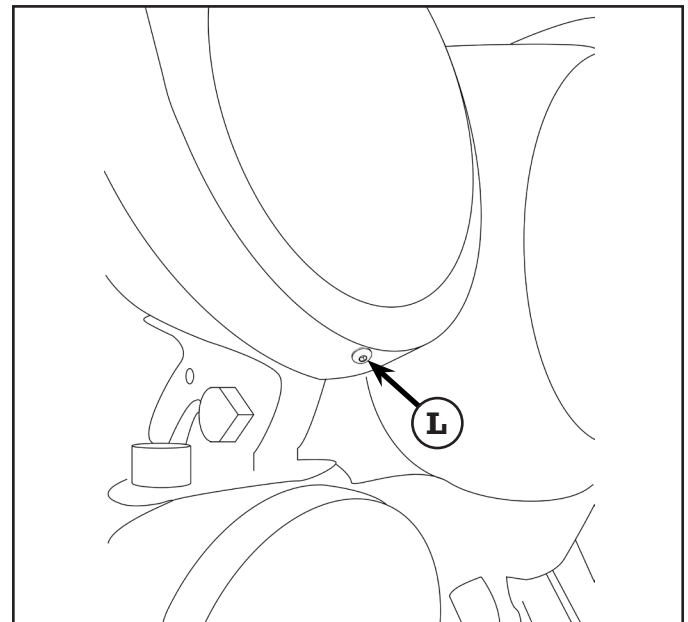
1. Place the motorcycle in an upright position resting on the sidestand.
2. Remove the Philips head screw from each driving light assembly and remove the light from the housing.
3. Disconnect the wire from the back of the bulb.
4. Using a flat blade screwdriver, remove the three clips from the back of the lights.

Installation

1. Place LED light into light cover. Verify "INDIAN" script is upright when installed.
2. Reinstall the clips (K) as shown in figure.
3. Attach the wiring harnesses.



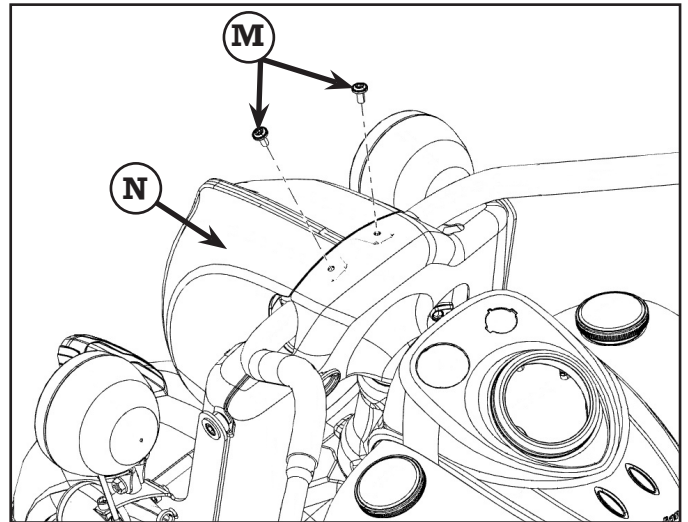
4. Reinstall the light into the housing using the screw (L). Torque to 23 in-lbs. (2.6 Nm). See figure.



INSTALLATION INSTRUCTIONS FOR MY14 CHIEF CLASSIC AND VINTAGE

Removal

1. Remove screws (M) from top of nacelle (N).
2. Remove the screws (P) from inside of nacelle on both sides.
3. Remove screws (Q) and withdraw reflector assembly.



Installation

1. Install new headlight, with "Indian Script" upright, using screws (Q). Torque to 12 in-lbs. (1.4 Nm).
2. See instruction manual for headlight alignment procedure.
3. After alignment reinstall the nacelle (N) with screws (P) and (M).
Torque (P) to 84 in-lbs (9.5 Nm).
Torque (M) to 36 in-lbs (4.1 Nm).

