

# PUDDLE LIGHT KIT



P/N 2884308

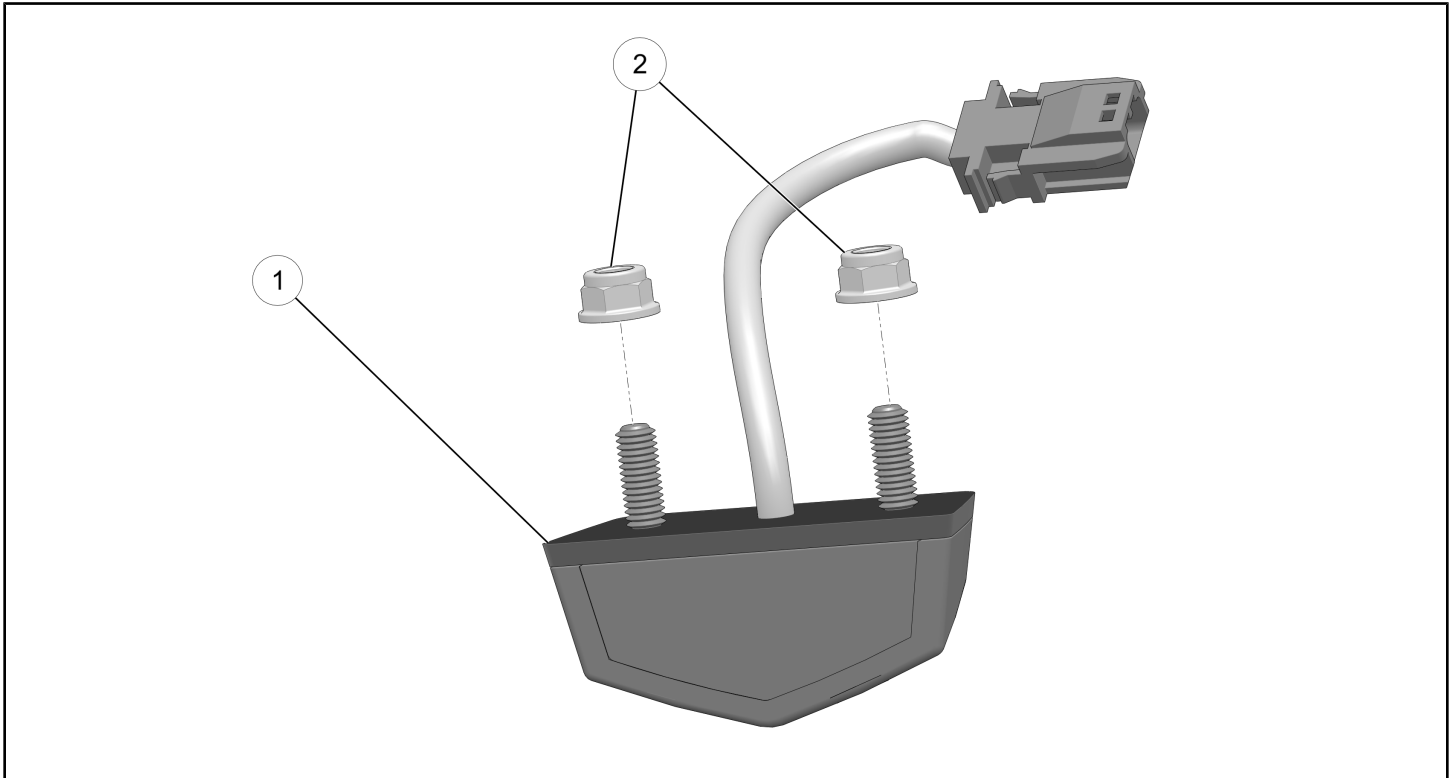
## APPLICATION

Verify accessory fitment at [www.indianmotorcycle.com](http://www.indianmotorcycle.com).

## BEFORE YOU BEGIN

Read these instructions and check to be sure all parts and tools are accounted for. Please retain these installation instructions for future reference and parts ordering information.

## KIT CONTENTS



REF	QTY	PART DESCRIPTION	P/N AVAILABLE SEPARATELY
1	1	Light-Puddle	2414647
2	2	Nut - Hex Flange M5 X 0.8	7547829

## TOOLS REQUIRED

- Safety Glasses
- Socket Set, Metric
- Torque Wrench
- Wrench Set, Metric

## IMPORTANT

Your Indian Motorcycle® Puddle Light Kit is exclusively designed for your vehicle. Please read the installation instructions thoroughly before beginning. Installation is easier if the vehicle is clean and free of debris. For your safety, and to ensure a satisfactory installation, perform all installation steps correctly in the sequence shown.

# INSTALLATION INSTRUCTIONS

## VEHICLE PREPARATION

### GENERAL

1. Turn key or ignition switch to **OFF** position and remove key. If equipped with keyless fob, remove fob from proximity of vehicle.
2. Ensure motorcycle is parked on a flat surface, kickstand is fully extended, and vehicle is stable prior to installation.

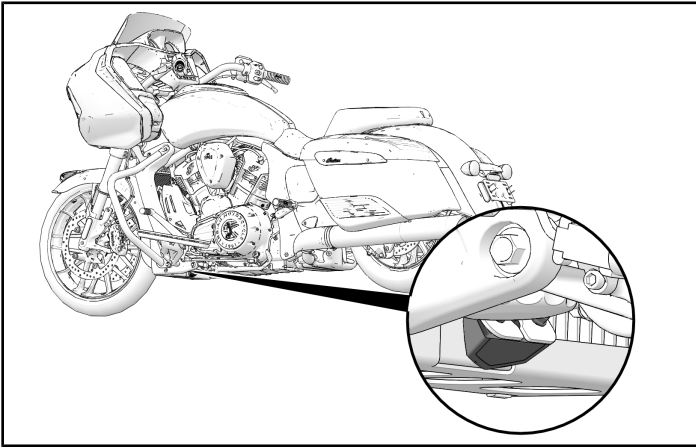
#### CAUTION

Protect surfaces with protective cloth during installations.

## ACCESSORY INSTALLATION

### PUDDLE LIGHT LOCATION

Puddle light is located under motorcycle centered between front foot rests.



### PUDDLE LIGHT OPERATION

Puddle light is only activated in the following situations:

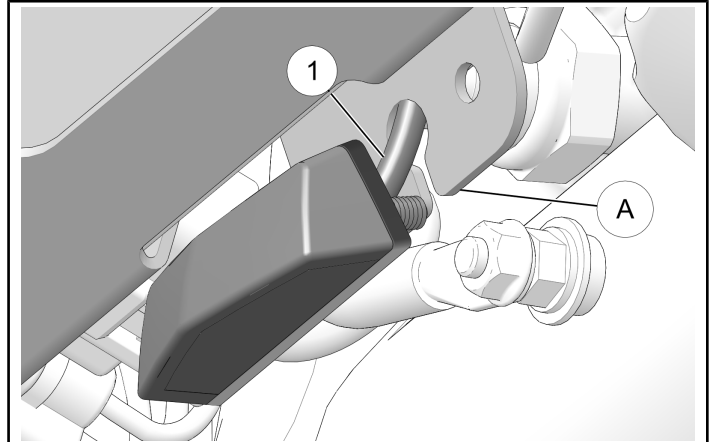
- flashes once when saddlebag is locked,
- flashes 3x when saddlebag is unlocked,
- flashes continuously when security alarm is triggered,
- turns on when bike is on but engine is not running (only at night),
- remains on for 30 seconds after bike is shut down (only at night).

### PUDDLE LIGHT INSTALL

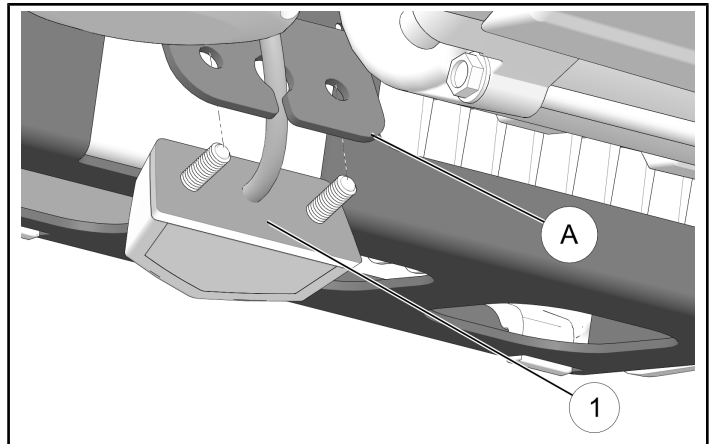
#### TIP

For ease of access, battery may be removed per owner's manual.

1. Route puddle light harness ① through key hole slot on battery box ①.



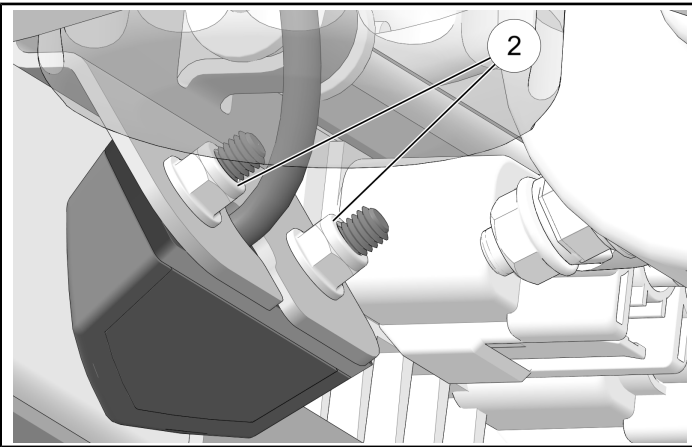
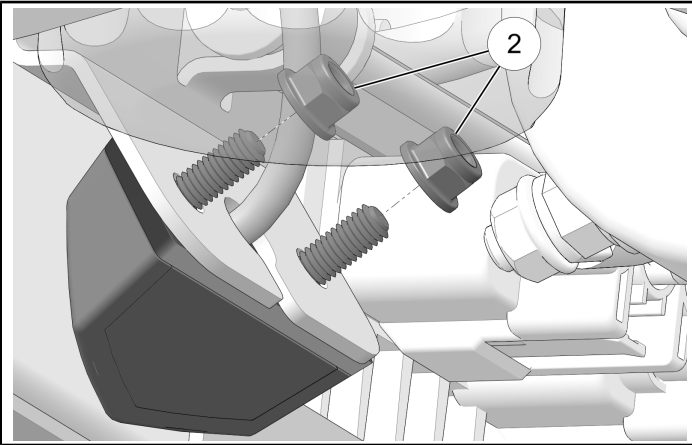
2. Insert puddle light studs ① into pre-drilled holes on battery box ①.



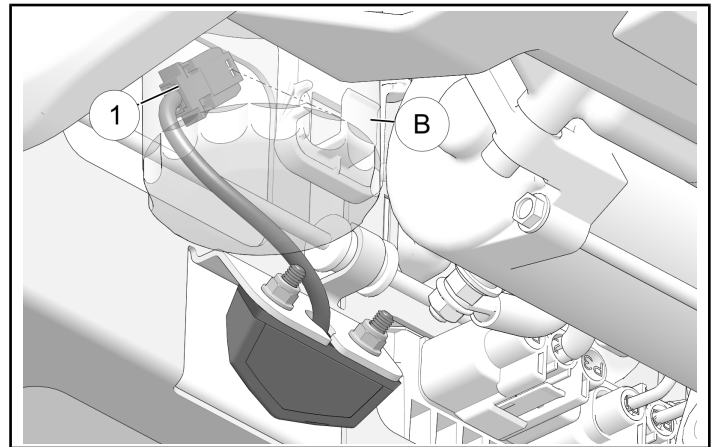
3. Attach two puddle light nuts ②. Torque puddle light nuts to specification.

**TORQUE**

**Puddle Light Nuts ②:  
15 in-lbs (1.7 N·m)**

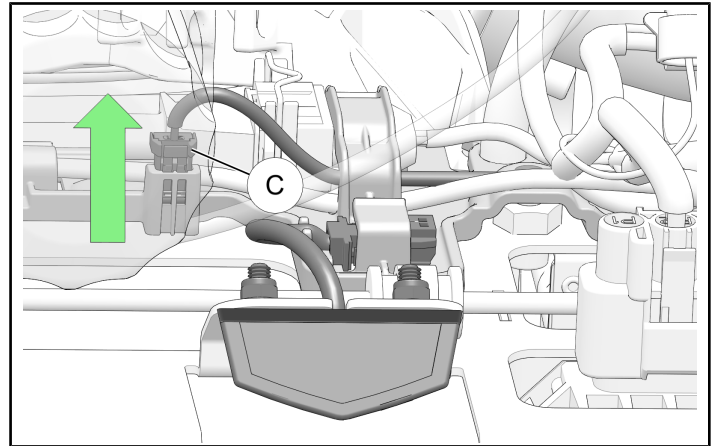


4. Insert puddle light plug ① into guide clip ⑥.

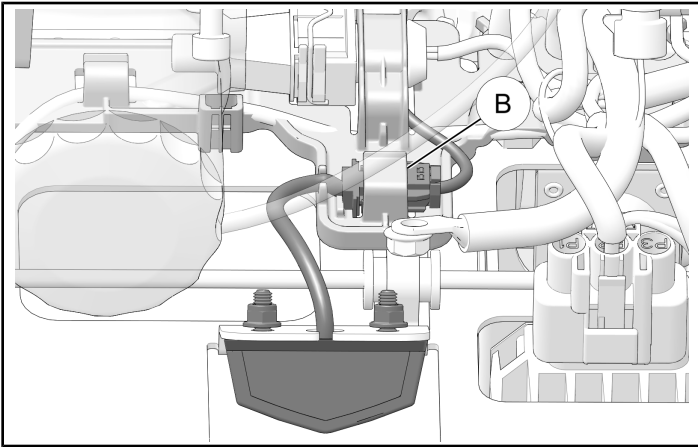


**CONNECT HARNESS**

1. Remove chassis plug ③ from holder.

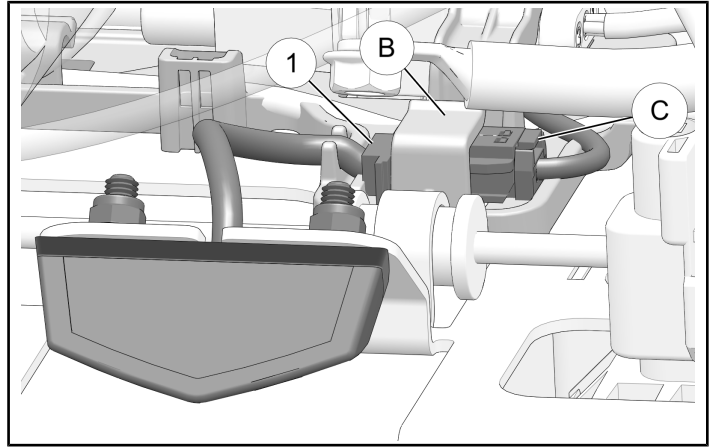


2. Reroute chassis harness to guide clip **B**.



3. Insert chassis harness plug **C** into puddle light plug **1** until it clicks.

**IMPORTANT**  
Ensure mated connectors rest in guide clip **B**.



## FEEDBACK FORM

A feedback form has been created for the installer to provide any comments, questions or concerns about the installation instructions. The form is viewable on mobile devices by scanning the QR code or by clicking [HERE](#) if viewing on a PC.

