

OIL COOLER KIT



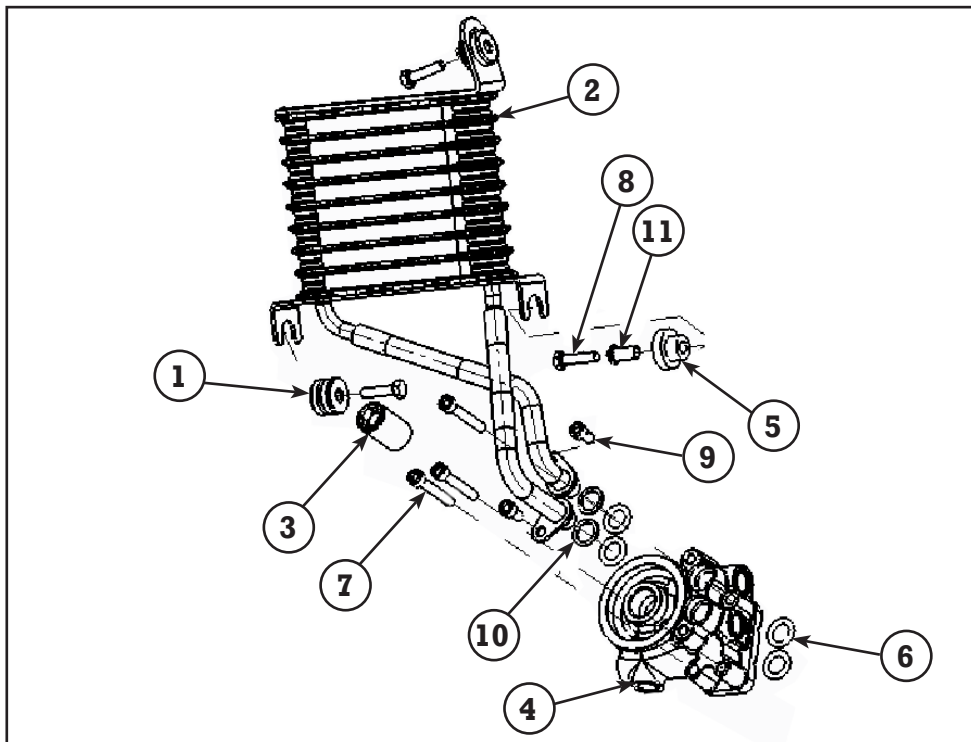
P/N 2880668

APPLICATION

INDIAN MOTORCYCLES WITH THE THUNDERSTROKE 111

BEFORE YOU BEGIN

Read these instructions and check to be sure all parts and tools are accounted for. Please retain these installation instructions for future reference and parts ordering information. For your safety, and to ensure a satisfactory installation, perform all installation steps correctly in the sequence shown below.



KIT CONTENTS

Ref	Qty	Part Description	Part Number
1	1	Grommet and Insert	1016169
2	1	Oil Cooler	1240746
3	1	Filter Adapter – Straight	2520952
4	1	Oil Filter Adapter	5138080
5	1	Bushing, Lower Radiator	5410584
6	4	O-Ring	5411356
7	3	Screw – M6x1.0x40mm	7517261
8	3	Screw – M6x1.0x25mm	7517510
9	2	Screw – M6x1.0x12mm	7517739
10	2	Back-up ring	7556380
11	1	Spacer – 6 X16	7661156
	1	Instructions	9925566

TOOLS NEEDED

Socket Wrench

Hex Sockets – M12, M5

10 mm Open-End/Box End Wrench

Torque Wrench

Oil Change Kit

10 mm Socket

P-80 O-Ring Lubricant

Drain Pan

APPROXIMATE ASSEMBLY TIME

90 mins

IMPORTANT

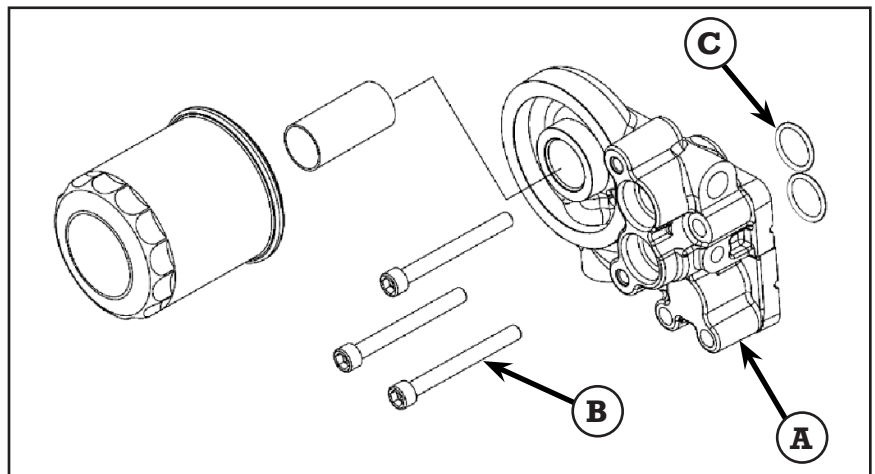
Your Indian OIL COOLER KIT is exclusively designed for your vehicle. Please read the installation instructions thoroughly before beginning. Installation is easier if the vehicle is clean and free of debris. For your safety, and to ensure a satisfactory installation, perform all installation Steps correctly in the sequence shown.

INSTALLATION INSTRUCTIONS

NOTE: Place motorcycle on firm surface on side stand.

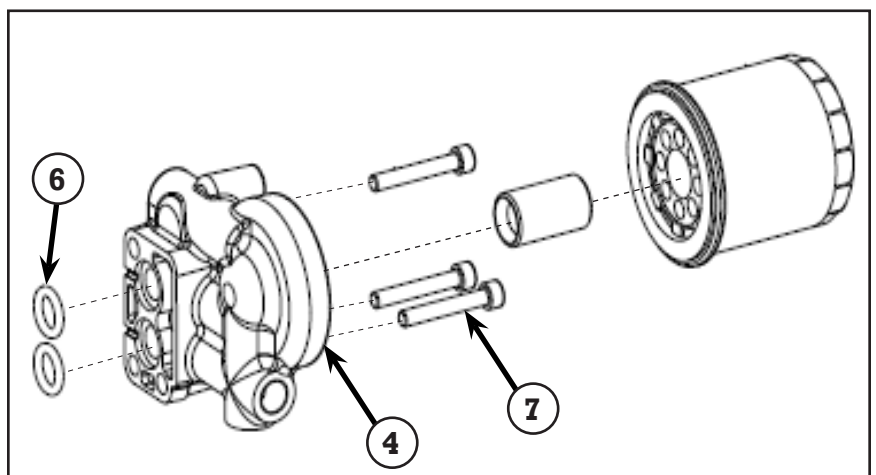
Removal

1. It is recommended but not required to perform this procedure at a normal oil change interval.
2. Follow the Owner's Manual procedure for draining the oil and removing the oil filter.
3. After the oil is drained and oil filter removed start by removing the oil filter adapter (A) by removing three screws (B) as shown in the figure.
4. Remove the two O-rings (C) behind the oil filter adapter. See figure.

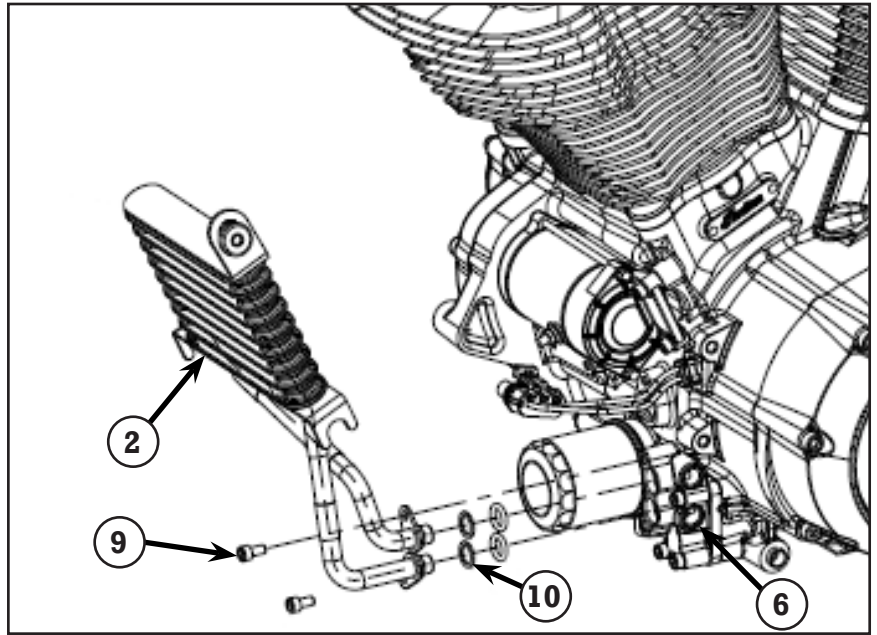


Installation

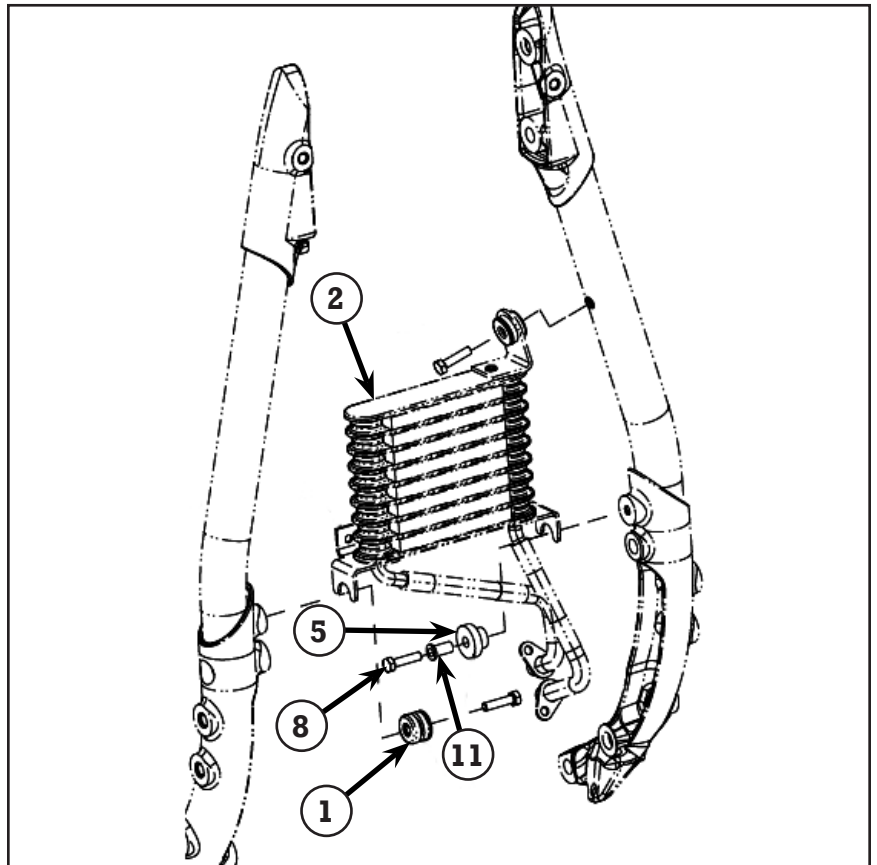
1. Install two O-rings (6) provided in the kit on the engine side of the oil filter adapter (4) as shown in figure.
2. Install the oil filter adapter (4) using the three screws (7). Using an M5 Allen head socket torque screws to 84+/- 9 in-lbs. (10+/-1 Nm).
3. Install filter adapter-straight onto the oil filter adapter and using an M12 Allen head socket. See figure. Torque the adapter to 22+/-2 ft. lbs. (30+/-2.7 Nm).



4. Apply P-80 O-ring lubricant to the O-rings prior to installation. Install back-up rings (10) and O-rings (6) to the hoses on the oil cooler (2). Starting with the lower hose by hand tightening the M6 screw (9). Torque screws using an M5 Allen head socket to 84+/- 9 in-lbs. (10+/-1 Nm).
5. Apply P-80 O-ring lubricant to the O-rings prior to installation. Install upper hose by hand tightening the M6 screw (9). See figure. Torque screws using an M5 Allen head socket to 84+/- 9 in-lbs. (10+/-1 Nm).
6. Apply a light film of oil to the oil filter seal and install oil filter. Torque to 70+/-5 in-lbs. (8+/-0.6 Nm).



7. Install both lower mounts prior to mounting the oil cooler (2) to the bike. On the lower right side of the bike install the grommet and insert (1) with the rubber side contacting the frame of the bike. Use one screw (8) and tighten using a 10 mm socket as shown in figure. Torque to 84+/- 9 in-lbs. (10+/-1 Nm).
8. On the lower left side of the bike install the spacer (11) into the bushing (5) and using a 10 mm socket as shown in figure. Torque the screws (8) to 84+/- 9 in-lbs. (10+/-1 Nm).



9. Rotate the oil cooler slightly forward and gently lift the oil cooler base of the bottom grommets to properly mount the oil cooler.
10. In the top mount of the oil cooler install screw (8) and using a 10 mm socket. Torque to 84+/- 9 in-lbs. (10+/-1 Nm).
11. Perform oil fill procedure per the owner's manual.