

# PERFORMANCE INTAKE KIT



**P/N 2882519**

## APPLICATION

Indian® Scout®



### REGULATORY NOTIFICATION:

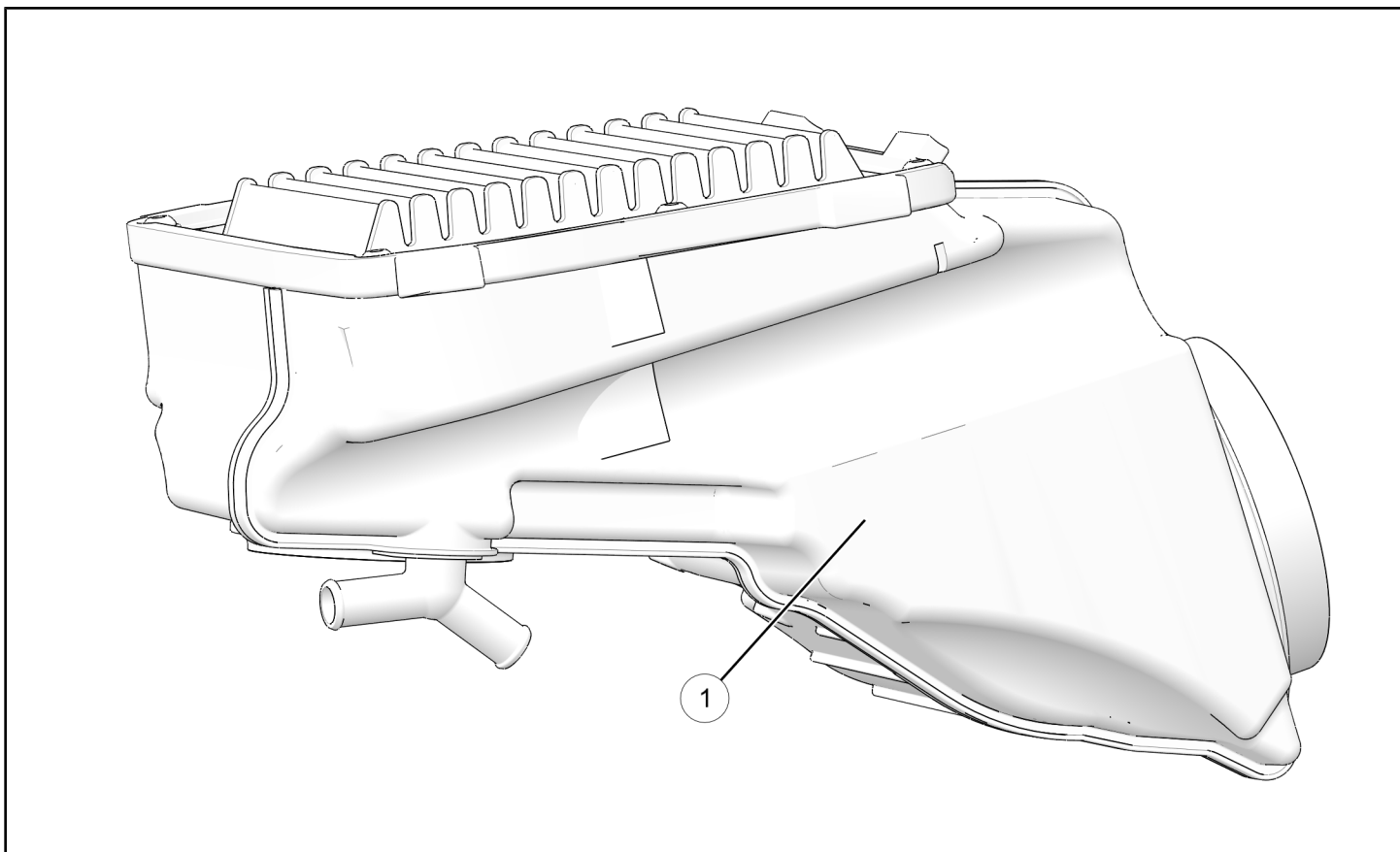
This kit meets EPA and CARB emission limits. Tampering with emission related parts can lead to substantial regulatory penalties. Non-competition street use may violate federal noise limits.

## BEFORE YOU BEGIN

Read these instructions and check to be sure all parts and tools are accounted for. Please retain these installation instructions for future reference and parts ordering information.

## KIT CONTENTS

This Kit includes:



REF	QTY	PART DESCRIPTION	PART NUMBER
1	1	Assembly, Air Box	-
2	1	Calibration Card, 50 State (Not Shown)	-

REF	QTY	PART DESCRIPTION	PART NUMBER
3	1	Label, CARB (Not Shown)	7187456
	1	Instructions	9927771

## TOOLS REQUIRED

- Safety Glasses
- Screwdriver, Slotted
- Socket Set, Hex Bit, Metric
- Socket Set, Metric
- Torque Wrench
- Wrench Set, Metric

## IMPORTANT

Your Indian Performance Intake Kit is exclusively designed for your vehicle. Please read the installation instructions thoroughly before beginning. Installation is easier if the vehicle is clean and free of debris. For your safety, and to ensure a satisfactory installation, perform all installation steps correctly in the sequence shown.

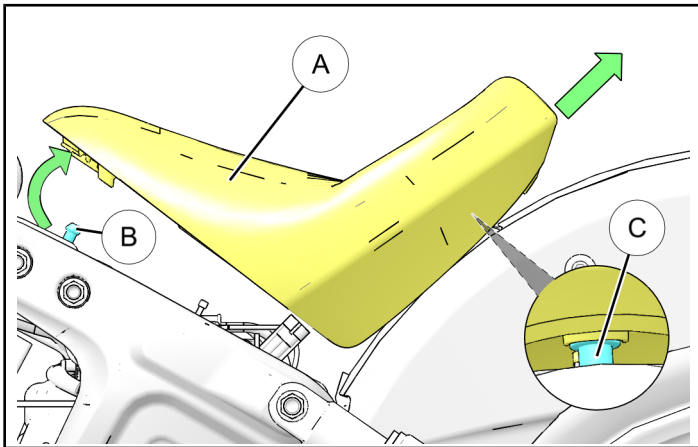
## ASSEMBLY TIME

Approximately 30 minutes

## INSTALLATION INSTRUCTIONS

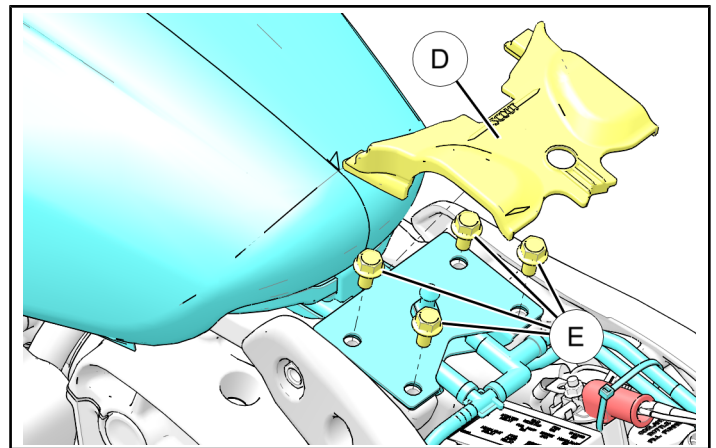
### AIR BOX REMOVAL

1. Turn key or ignition switch to "OFF" position and remove key. If equipped with keyless fob, remove fob from proximity of vehicle.
2. Ensure motorcycle is parked on a flat surface, kickstand is fully extended, and vehicle is stable prior to installation.
3. Pull up on front of seat (A) to release from friction post (B), then lift rear straight up to slide off guide (C).

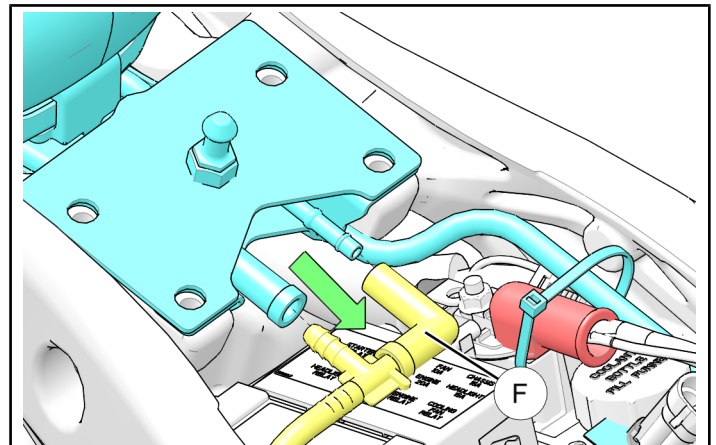


4. Disconnect negative battery cable as per owner's manual.

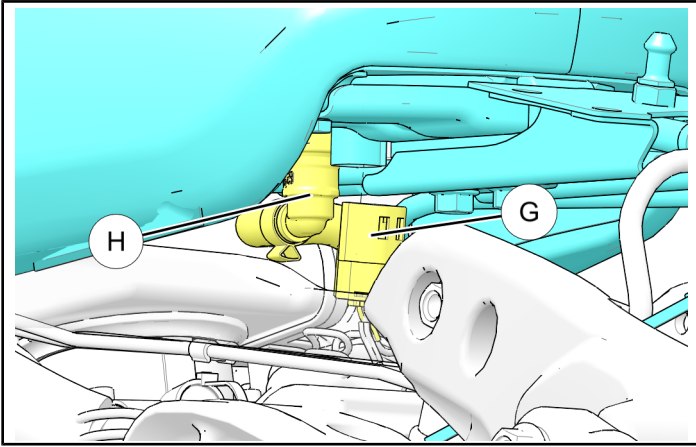
5. Lift off tank protector (D) and remove and retain four screws (E).



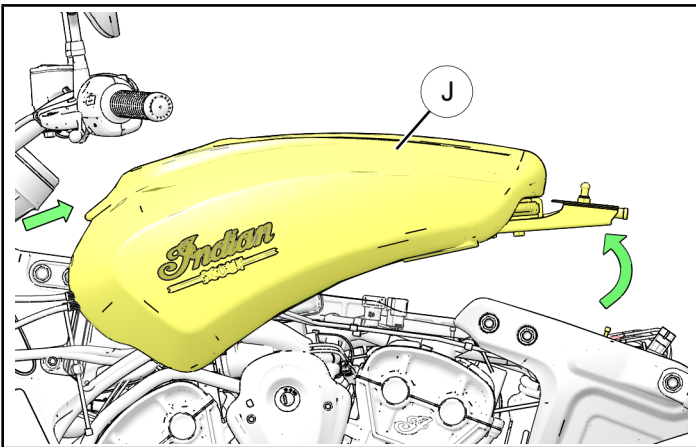
6. Disconnect fuel tank vent line and fuel cap recess drain line (F) at rear of tank.



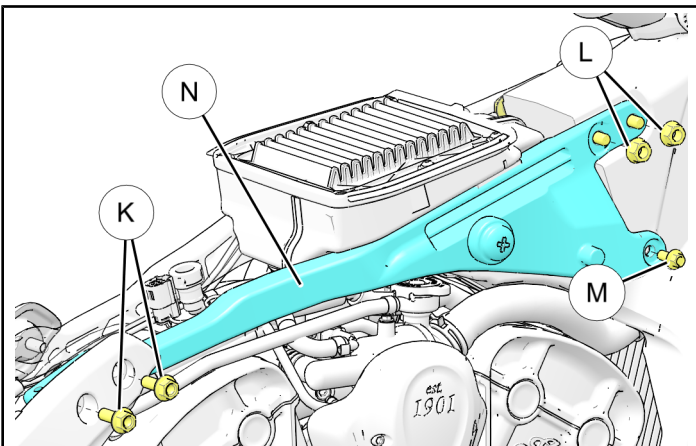
- Place handlebars in straight ahead position. Place a protective cloth on front of fuel tank to prevent damage. Lift rear of tank approximately 2 inches (5 cm) and disconnect fuel pump electrical connector **G** and fuel supply line connector **H**.



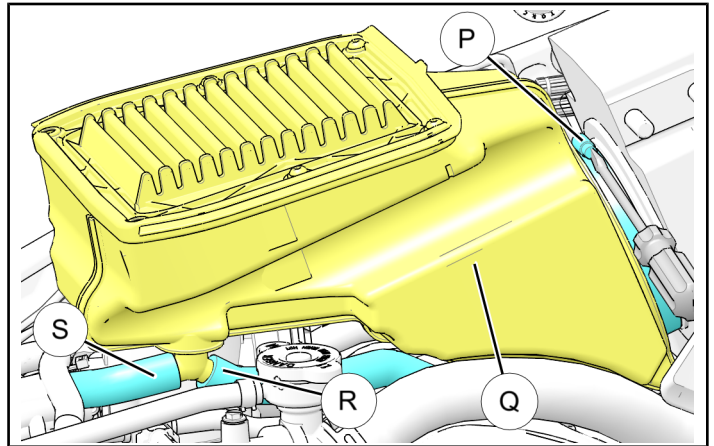
- Lift rear of tank **J** and pull rearward carefully to remove.



- Remove and retain two frame tube to mid-casting bolts **K**, two nuts **L**, and bolt **M**. Remove and retain right frame tube **N**.



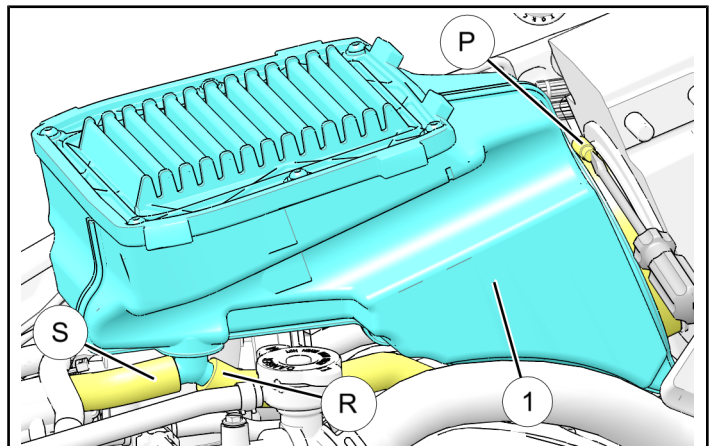
- Loosen hose clamp **P**. Remove air box **Q**, disconnecting positive crankcase ventilation (PCV) hoses **R** and **S**.



## INSTALL PERFORMANCE AIR BOX

Air Box Installation is reverse of removal.

- Press air box **1** into place, ensuring positive crankcase ventilation (PCV) hoses **R** and **S** are properly connected. Tighten hose clamp **P**.



- Set frame tube **N** into place. Loosely install frame tube screws **K** and **M**, and nuts **L**.
- Torque frame tube fasteners to specification.

## TORQUE

Screw **K** 35 ft. lbs. (47 Nm)  
 Nut **L** 35 ft. lbs. (47 Nm)  
 Screw **M** 19 ft. lbs. (26 Nm)

- Carefully lower fuel tank onto tank isolators, and connect fuel supply line **H** and fuel pump electrical connector **G** removed in **step 7** of Removal section.
- Reconnect fuel tank vent line and fuel cap recess drain lines **F** removed in **step 6** of Removal section to rear of tank.

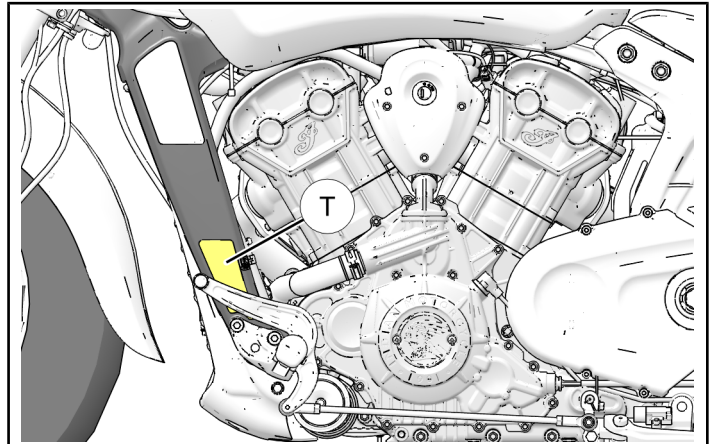
6. Press tank into place and install four retained fuel tank mounting bolts ⑤ and torque to specification.

### TORQUE

18 ft. lbs. (24 Nm)

7. Reconnect negative battery cable as per owner's manual.
8. Reinstall seat ① by sliding onto rear guide ③, followed by aligning friction post ② and firmly pressing front of seat into place.

9. **If motorcycle is a MY2015 or MY2016 "50-state" model:** Install aftermarket exemption label ③ required by California Air Resource Board. To determine if motorcycle is a 50-state model, look for a California EVAP label (PN 7180124 or 7182773) ① on left hand tube frame. If label is on frame, apply CARB exemption label ③ on left hand tube frame underneath EVAP label.



### IMPORTANT

Product information label is required to aid in passing California Smog Check program.

### IMPORTANT

Update ECM with new calibration software using Calibration Card ⑩ included in this kit. This step must be completed by an Authorized Indian Dealer. Do not operate vehicle until re-calibration of vehicle is complete.

## FEEDBACK FORM

A feedback form has been created for the installer to provide any comments, questions or concerns about the installation instructions. The form is viewable on mobile devices by scanning the QR code or by clicking [HERE](#) if viewing on a PC.

### FEEDBACK FORM

