

PERFORMANCE AIRBOX KIT



P/N 2880654-XXX

REGULATORY NOTIFICATION:



This kit meets EPA and CARB emission limits. Tampering with emission related parts can lead to substantial regulatory penalties. Non-competition street use may violate federal noise limits.

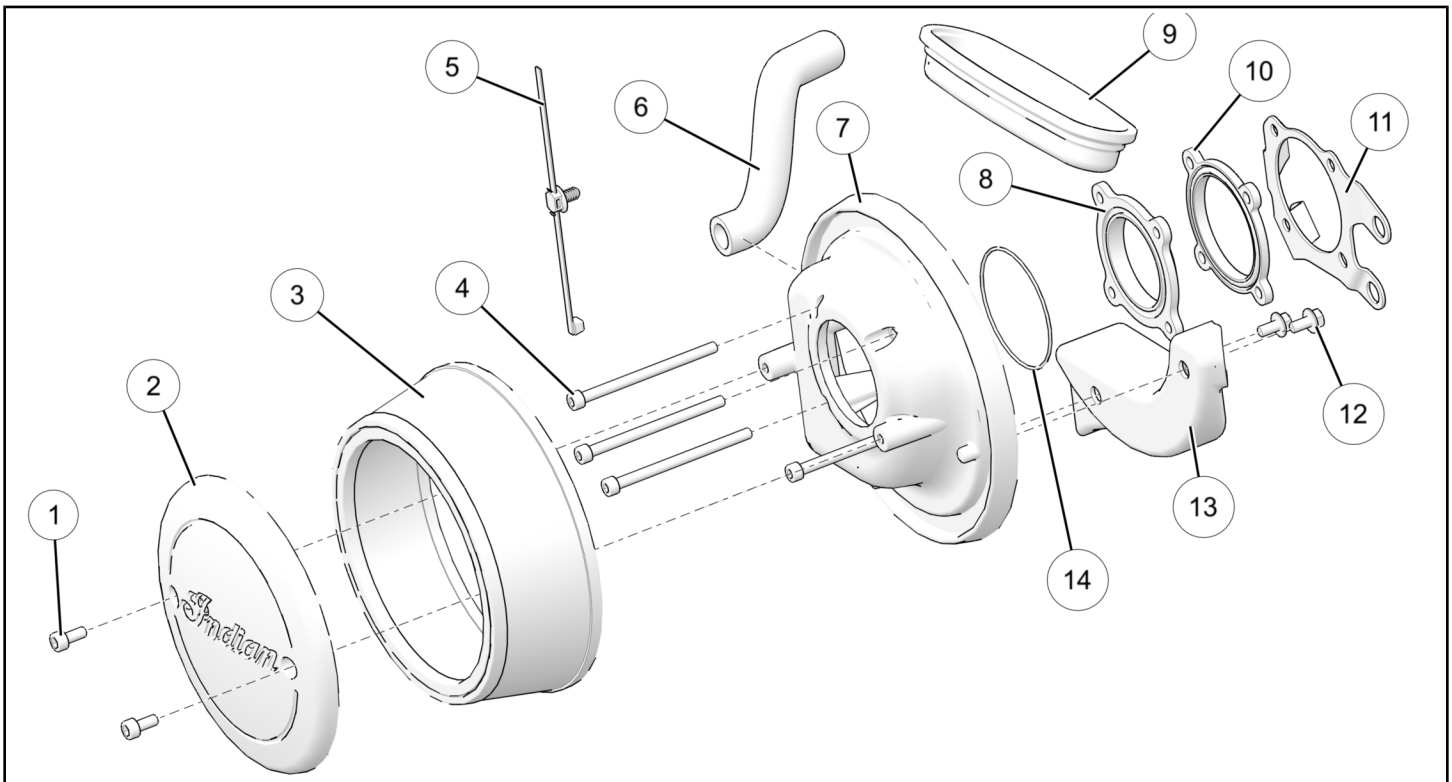
APPLICATION

Verify accessory fitment at www.indianmotorcycle.com.

BEFORE YOU BEGIN

Read these instructions and check to be sure all parts and tools are accounted for. Please retain these installation instructions for future reference and parts ordering information.

KIT CONTENTS



NOTE

XXX = Indian® color code (For example: 266 = Black)

REF	QTY	PART DESCRIPTION	P/N AVAILABLE SEPARATELY
1	2	Screw, Hex Socket Head, M6 X 1.0 X 14	-
2	1	Cover, Airbox	-
3	1	Filter, Air, Performance	7081938
4	4	Screw, Hex Socket Head, M6 X 1.0 X 90	7520014
5	1	Clip, Routing	7081496

REF	QTY	PART DESCRIPTION	P/N AVAILABLE SEPARATELY
6	1	Hose, Breather, Airbox	-
7	1	Base, Airbox	-
8	1	Spacer, Throttle Body, MY 2014-2018	-
9	1	Cover, Frame	-
10	1	Gasket, Airbox, MY 2019+	5633754
11	1	Bracket, Intake Manifold Support	-
12	2	Screw, Hex Flange Head, M6 X 1.0 X 12	7517704
13	1	Duct, Air, Accessory Airbox	-
14	1	O-Ring, 2.75 in. ID X .070 in. Diameter	5415064
15	1	Label, IM ACC	-
16	1	Calibration Card, 50 State (Not Shown)	-
	1	Instructions, Filter Cleaning	9925842
	1	Instructions, Kit	9925550

TOOLS REQUIRED

- Safety Glasses
- Socket Set, Hex Bit, Metric
- Socket Set, Metric
- Socket Set, Torx® Bit
- Torque Wrench

IMPORTANT

Your Indian Performance Airbox Kit is exclusively designed for your vehicle. Please read the installation instructions thoroughly before beginning. Installation is easier if the vehicle is clean and free of debris. For your safety, and to ensure a satisfactory installation, perform all installation steps correctly in the sequence shown.

INSTALLATION INSTRUCTIONS

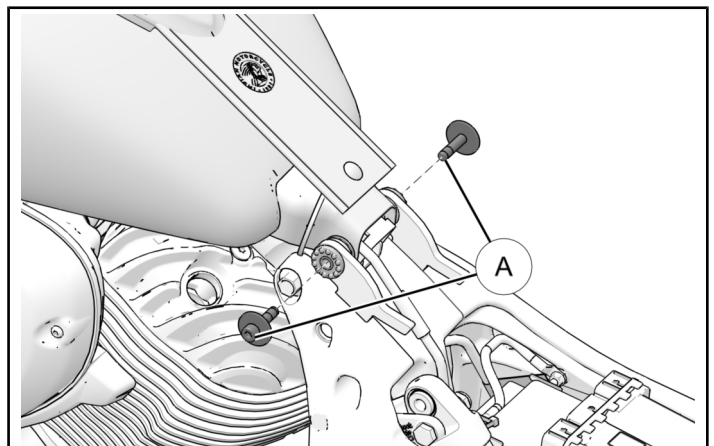
VEHICLE PREPARATION

GENERAL

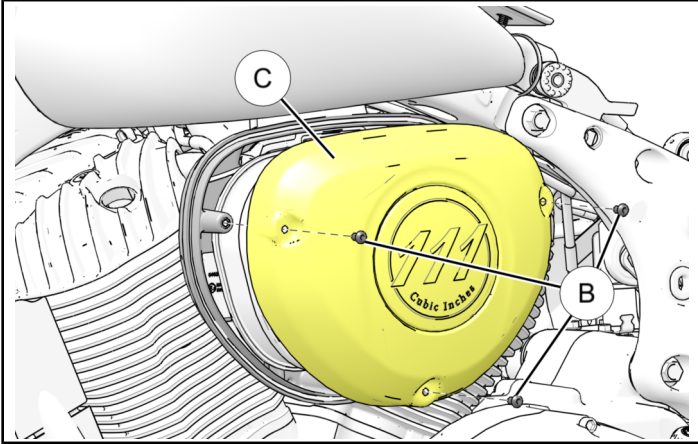
1. Turn key or ignition switch to “OFF” position and remove key. If equipped with keyless fob, remove fob from proximity of vehicle.
2. Ensure motorcycle is parked on a flat surface, kickstand is fully extended, and vehicle is stable prior to installation.
3. Remove seat and side covers as per owner’s manual.

STOCK AIRBOX REMOVAL

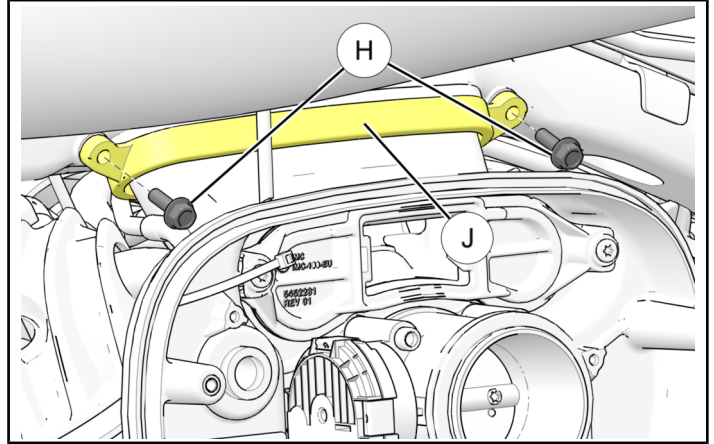
1. Remove and retain two rear tank mount bolts and washers **A**.



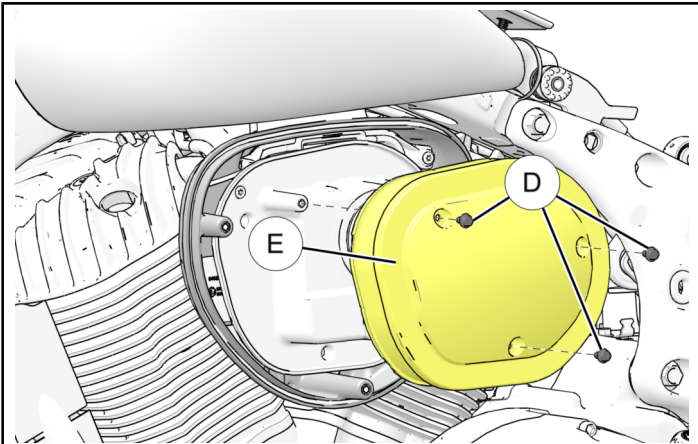
2. Remove and discard three airbox cover mounting screws (B). Remove and discard stock airbox cover (C).



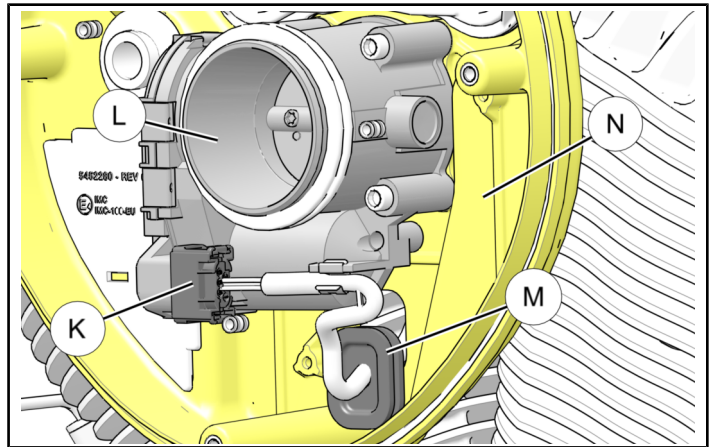
5. Lift rear of fuel tank to gain access. Remove and retain two airbox connector base screws (H) from airbox connector base (J).



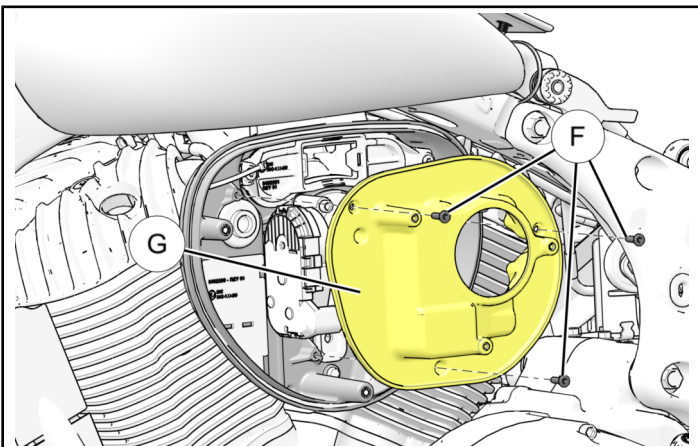
3. Remove and discard three air filter mounting screws (D) and stock air filter (E).



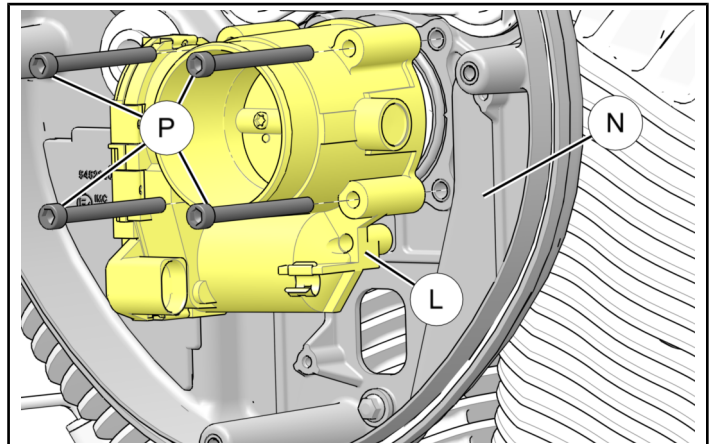
6. Disconnect electrical connection (K) to throttle valve (L). Disengage wire, connector, and grommet (M) through back of airbox base (N). Discard grommet.



4. Remove and discard three air filter retainer screws (F). Twist and pull air filter retainer (G) to remove and discard.



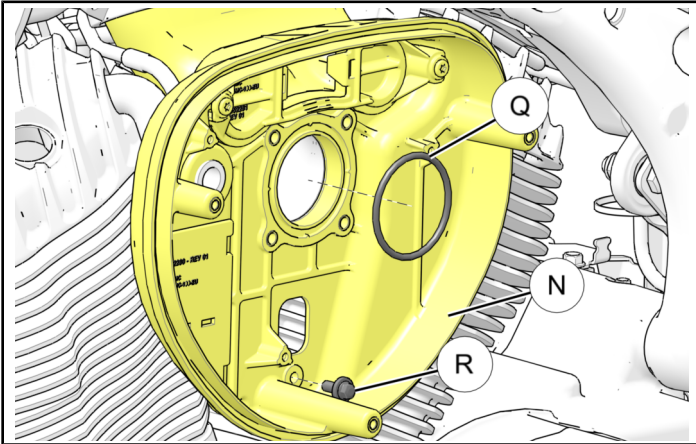
7. Remove and discard four throttle valve mounting screws (P). Remove throttle valve (L) from airbox base (N). Carefully set aside throttle valve (L) for reinstallation.



8. Carefully remove and retain throttle valve to airbox o-ring (Q). Remove and retain airbox base screw (R).

NOTE

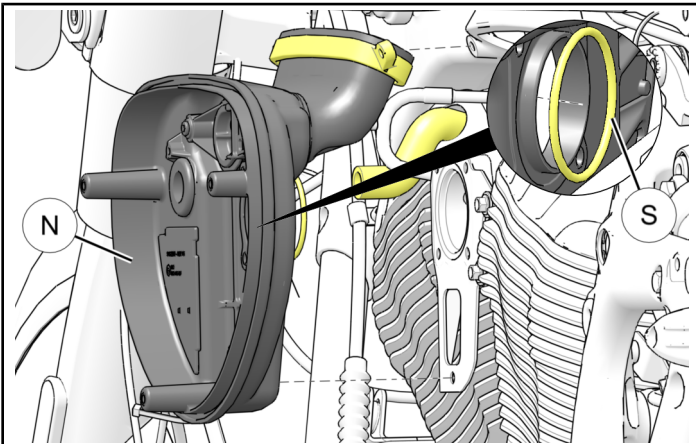
Inspect o-ring for damage or wear. If any is found, replace o-ring.



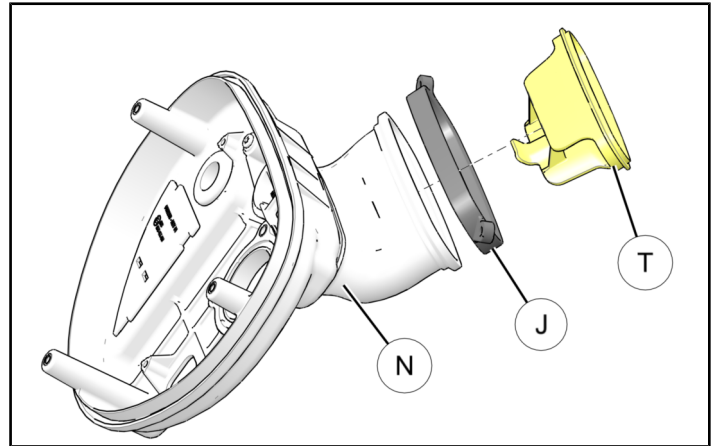
9. Remove airbox base (N) from frame. Carefully remove and retain airbox to intake manifold o-ring (S).

NOTE

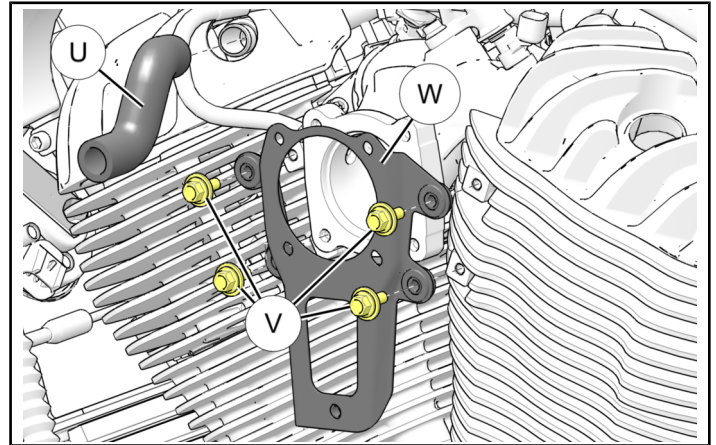
Inspect o-ring for damage or wear. If any is found, replace o-ring.



10. Remove insert (T) from airbox base (N). Compress inlet tubing slightly and remove connector base (J) and retain for reinstallation.



11. Remove breather hose (U) from engine and discard. Remove and retain four screws (V) and intake support bracket (W).

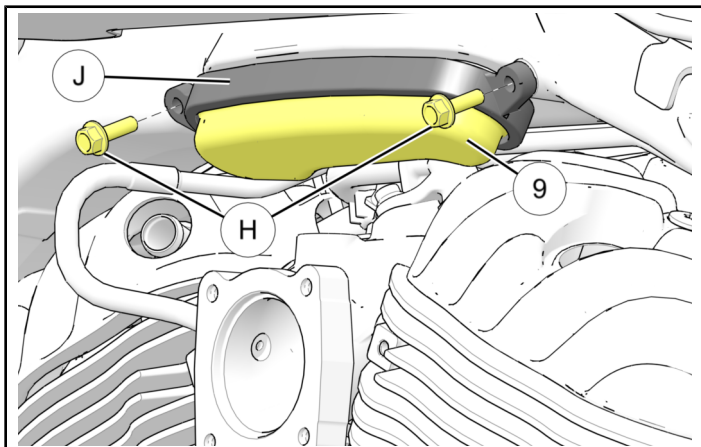


PERFORMANCE AIRBOX INSTALLATION

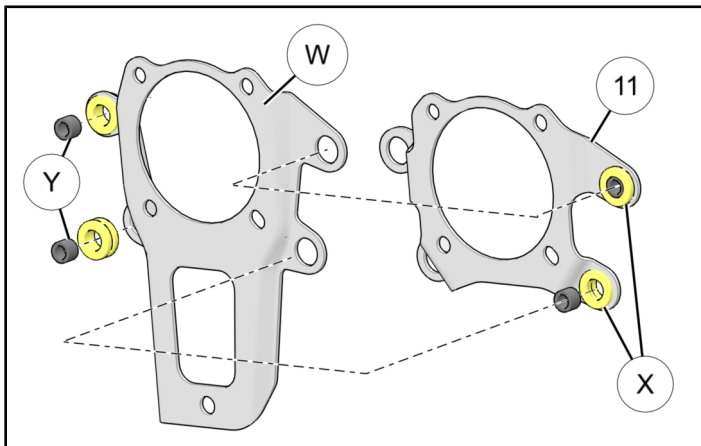
1. Insert new Frame Cover ⑨ into retained airbox connector base ① (removed in **step 5** of *Stock Airbox Removal* section.) Install to bike frame using two retained screws ⑧. Torque screws to specification.

TORQUE

Airbox connector base screw ①:
84 in. lbs. (9.5 Nm)



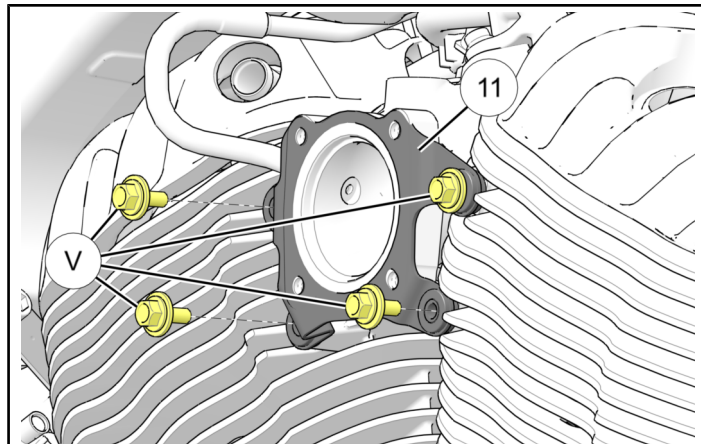
2. Transfer four grommets ⑩ and bushings ⑪ from stock Intake Manifold Support Bracket ⑭ to new Intake Manifold Support Bracket ⑮.



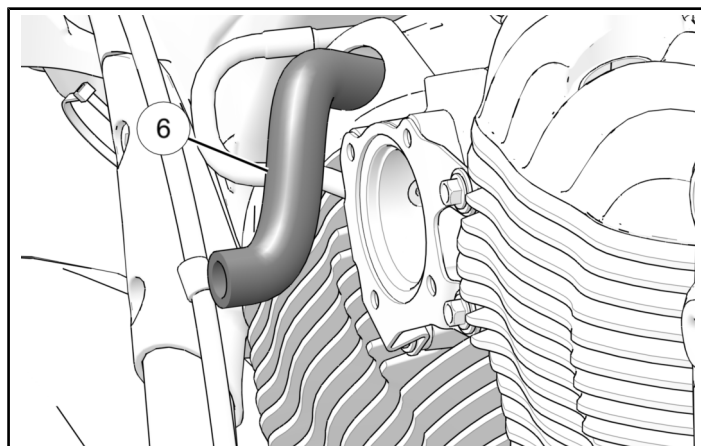
3. Install new Intake Manifold Support Bracket ⑮ to intake manifold using four retained screws ⑫ (removed in **step 11** of *Stock Airbox Removal* section). Torque screws to specification.

TORQUE

Intake manifold support bracket screw ⑫:
88.5 in. lbs. (10 Nm)



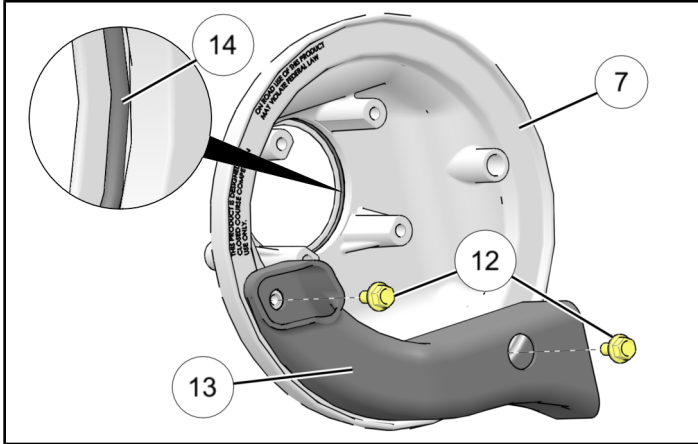
4. Attach new Breather Hose ⑬ to engine as shown.



5. Install Airbox Base O-ring ⑭ into groove in Airbox base ⑦. Attach Air Duct ⑬ to Airbox Base ⑦ with two screws ⑫. Torque screws to specification.

TORQUE

Air Duct Screw ⑫: 84 in. lbs. (9.5 Nm)

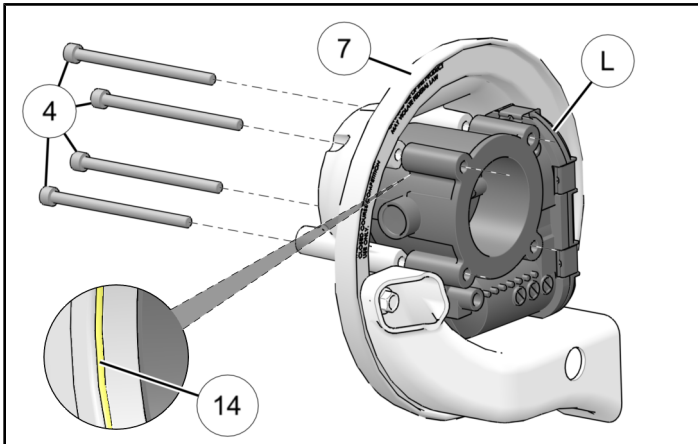


AIRBOX SPACER INSTALLATION: MODEL YEARS 2014-2018

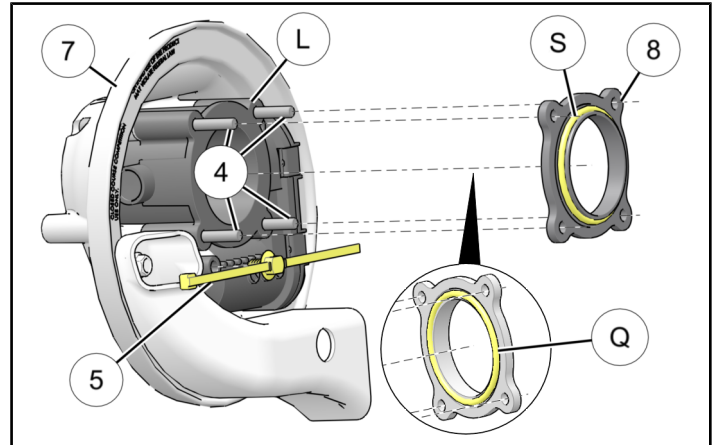
(For Model Year 2019 and newer skip to next section)

ASSEMBLE THROTTLE VALVE

1. Connect electrical connector to throttle valve and install retained Throttle Valve ① into Airbox Base ⑦ ensuring Airbox Base O-ring ⑭ stays in place. Insert four new Screws ④ into Airbox Base ⑦ and hold in place.



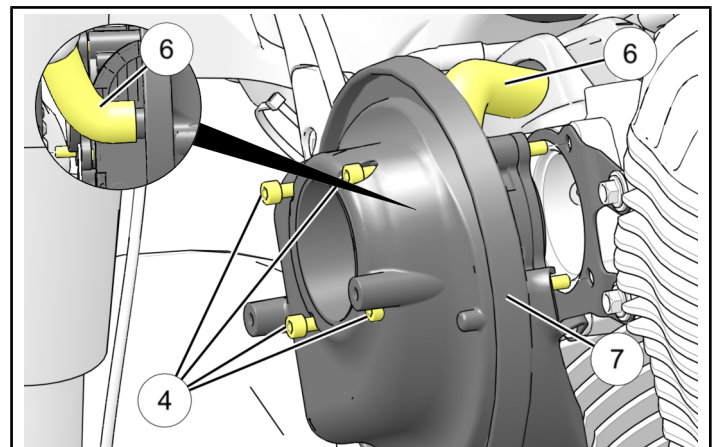
2. Install Routing Clip ⑤ to Throttle Valve ①, tie around harness and clip excess cable tie. Assemble Throttle Body Spacer ⑧ with retained O-rings ⑤ and ⑩. Slide spacer onto screws ④ flush with throttle valve ①. Hold assembly together for installation.



3. Install assembly to intake manifold, align breather hose ⑥ and slide onto nipple on Airbox Base ⑦, torque four screws ④ to specification.

TORQUE

Throttle Valve Screws 84 in. lbs. (9.5 Nm)

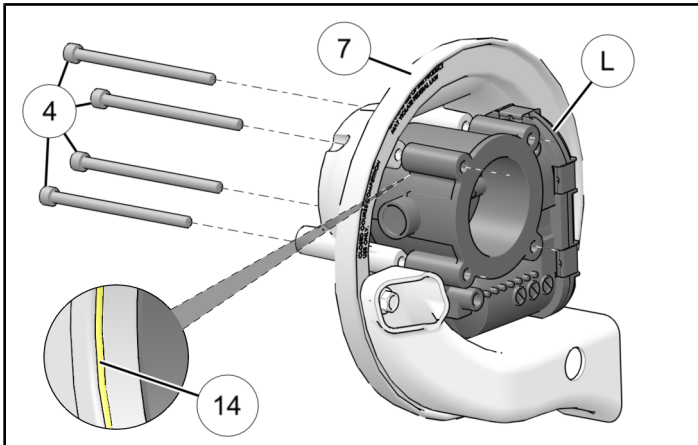


AIRBOX GASKET INSTALLATION: MODEL YEARS 2019-NEWER

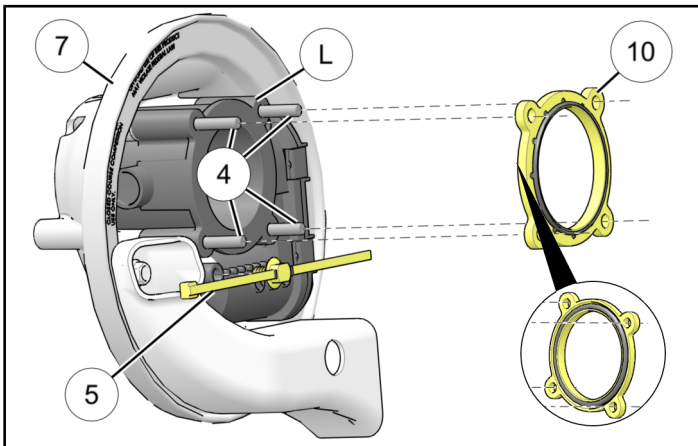
(For Model Years 2014-2018 return to previous section)

ASSEMBLE THROTTLE VALVE

1. Connect electrical connector to throttle valve and install retained Throttle Valve (L) into Airbox Base (7) ensuring Airbox Base O-ring (14) stays in place. Insert four new Screws (4) into Airbox Base (7) and hold in place.



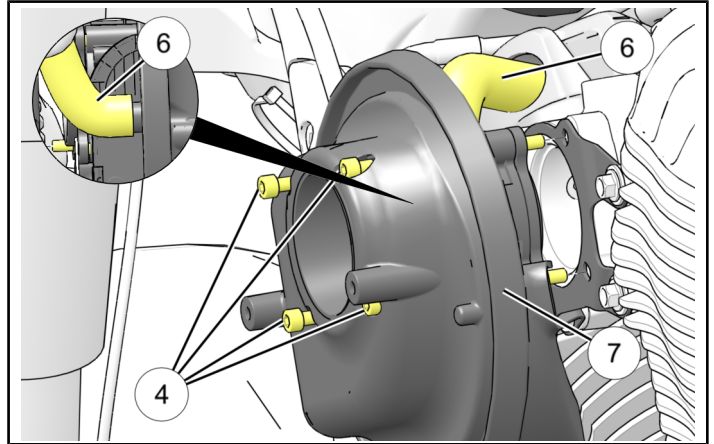
2. Install Routing Clip (5) to Throttle Valve (L), tie around harness and clip excess cable tie. Slide Airbox Gasket (10) onto screws (4) with flat side facing throttle valve. Hold assembly together for installation.



3. Install assembly to intake manifold, align breather hose (6) and slide onto nipple on Airbox Base (7), torque four screws (4) to specification.

TORQUE

Throttle Valve Screws 84 in. lbs. (9.5 Nm)

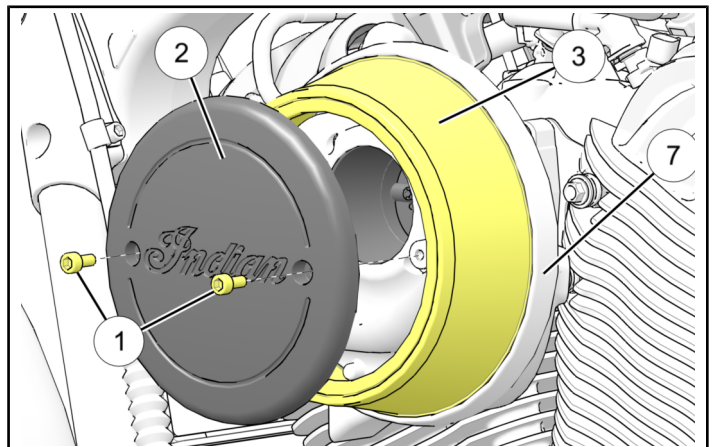


FINAL ASSEMBLY OF AIRBOX

1. Install Air Filter (3) onto Airbox Base (7). Install Airbox Cover (2) using two screws (1). Torque screws (1) to specification.

TORQUE

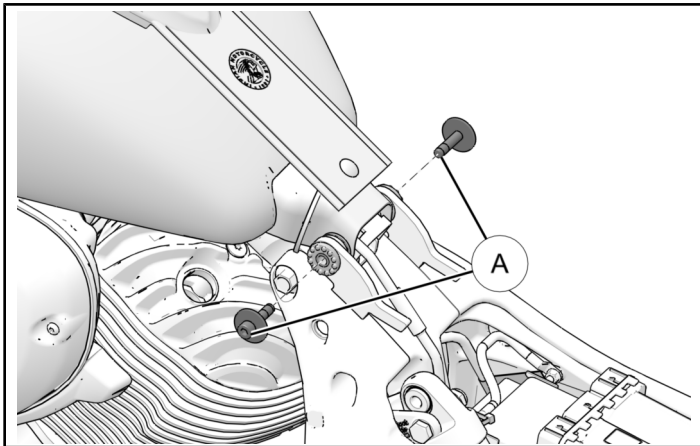
Airbox Cover Screws (1): 84 in. lbs. (9.5 Nm)



2. Reinstall fuel tank into position and install two retained screws **A** (Removed in **step 1** of *Stock Airbox Removal* section). Torque screws to specification.

TORQUE

Fuel Tank Screws **A**: 18 ft. lbs. (24 Nm)



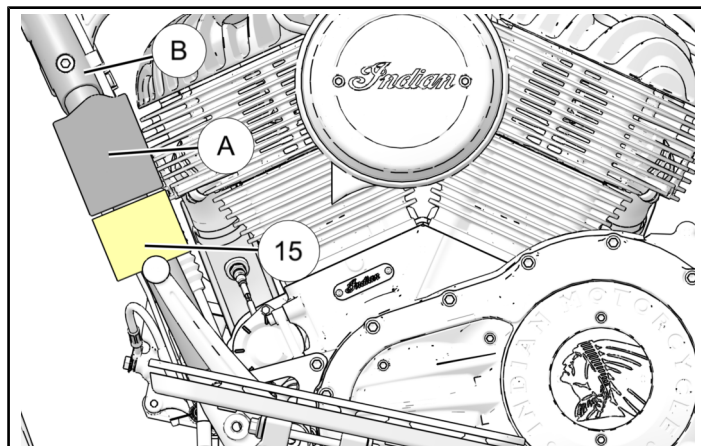
VEHICLE REASSEMBLY

GENERAL

1. Reinstall seat and side covers as per owner's manual.

APPLY LABEL AND UPDATE ECM

1. Install aftermarket exemption label **15** required by California Air Resource Board (CARB). To determine if motorcycle is a 50-State model, look for a California EVAP label **A** on left hand down-tube frame **B**. If label is on frame, apply new CARB exemption label **15** on left hand down-tube frame underneath EVAP label as shown.



IMPORTANT

Product information label is required to aid in passing California Smog Check Program.

2. Update ECM with new calibration software using included Calibration Card **16**.

IMPORTANT

This step must be completed by an Authorized Indian Dealer. Do not operate vehicle until recalibration of vehicle is complete.

RECOMMENDED SERVICE INTERVALS

- Inspect filter element: Every 5,000 miles.
- Clean filter element: Every 10,000 miles. (Filter element PN: 7081938)

FEEDBACK FORM

A feedback form has been created for the installer to provide any comments, questions or concerns about the installation instructions. The form is viewable on mobile devices by scanning the QR code or by clicking [HERE](#) if viewing on a PC.

FEEDBACK FORM

