

# TOE SHIFTER PEG KIT



P/N 2880728-XXX

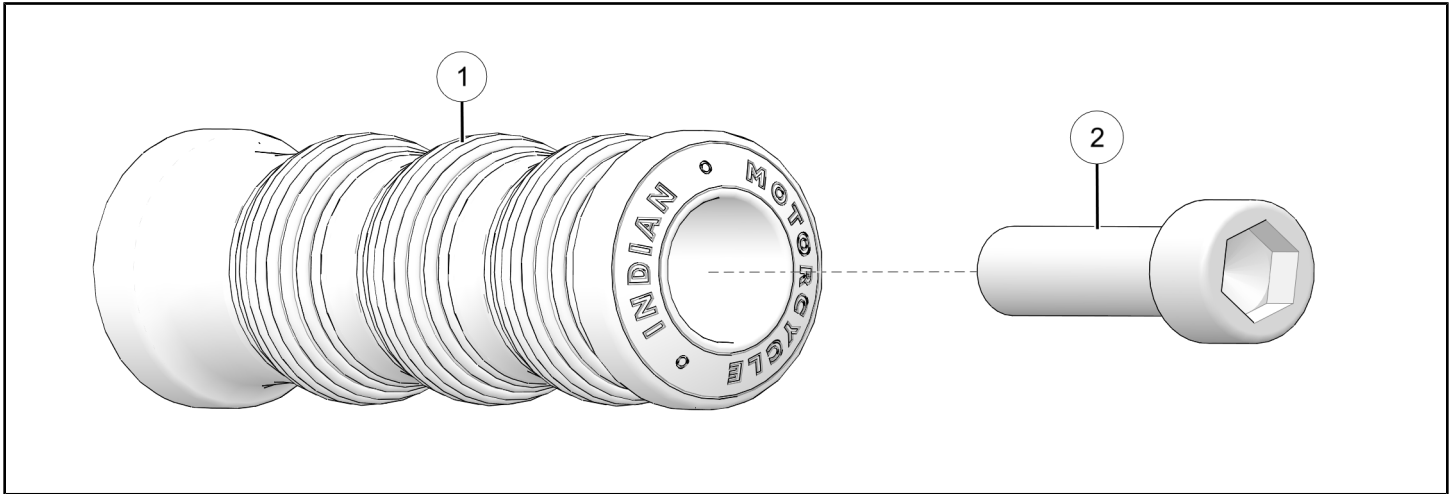
## APPLICATION

Verify accessory fitment at [www.indianmotorcycle.com](http://www.indianmotorcycle.com).

## BEFORE YOU BEGIN

Read these instructions and check to be sure all parts and tools are accounted for. Please retain these installation instructions for future reference and parts ordering information.

## KIT CONTENTS



REF	QTY	PART DESCRIPTION	P/N AVAILABLE SEPARATELY
1	1	Peg-Shifter, Toe	n/a
2	1	Screw-Socket Head, M8 x 1.25 mm x 30 mm	7517361

## TOOLS REQUIRED

- Safety Glasses
- Hex Key Set, Metric
- Socket Set, Hex Bit, Metric
- Torque Wrench
- Wrench, Strap

## IMPORTANT

Your Indian Motorcycle® Toe Shifter Peg Kit is exclusively designed for your vehicle. Please read the installation instructions thoroughly before beginning. Installation is easier if the vehicle is clean and free of debris. For your safety, and to ensure a satisfactory installation, perform all installation steps correctly in the sequence shown.

## INSTALLATION INSTRUCTIONS

### VEHICLE PREPARATION

#### GENERAL

1. Turn key or ignition switch to OFF position and remove key.

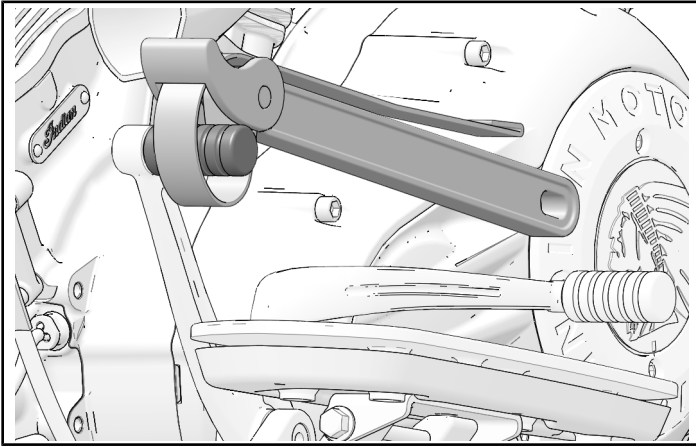
2. Ensure motorcycle is parked on a flat surface, kickstand is fully extended, and vehicle is stable prior to installation.

## ACCESSORY INSTALLATION

1. Unscrew toe shifter peg.

### TIP

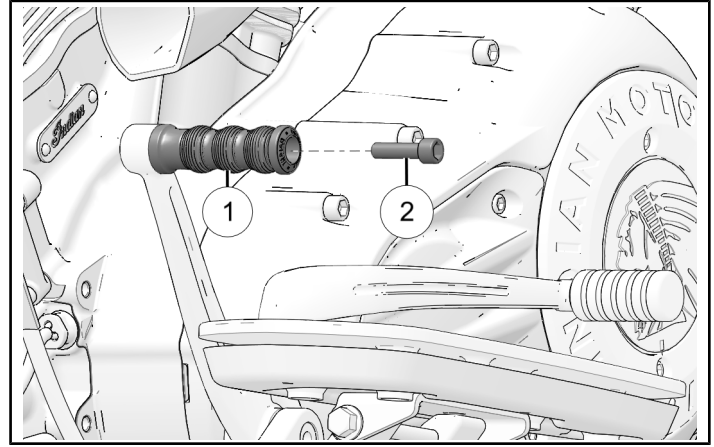
Use strap wrench to loosen peg and then remove by hand.



2. Align accessory peg ① with toe shifter and install with peg fastener ②.

### TORQUE

Peg Fastener ②:  
**18 ft-lbs (24 N·m)**



## FEEDBACK FORM

A feedback form has been created for the installer to provide any comments, questions or concerns about the installation instructions. The form is viewable on mobile devices by scanning the QR code or by clicking [HERE](#) if viewing on a PC.

