

FRONT HIGHWAY BAR KIT



P/N 2884063-XXX

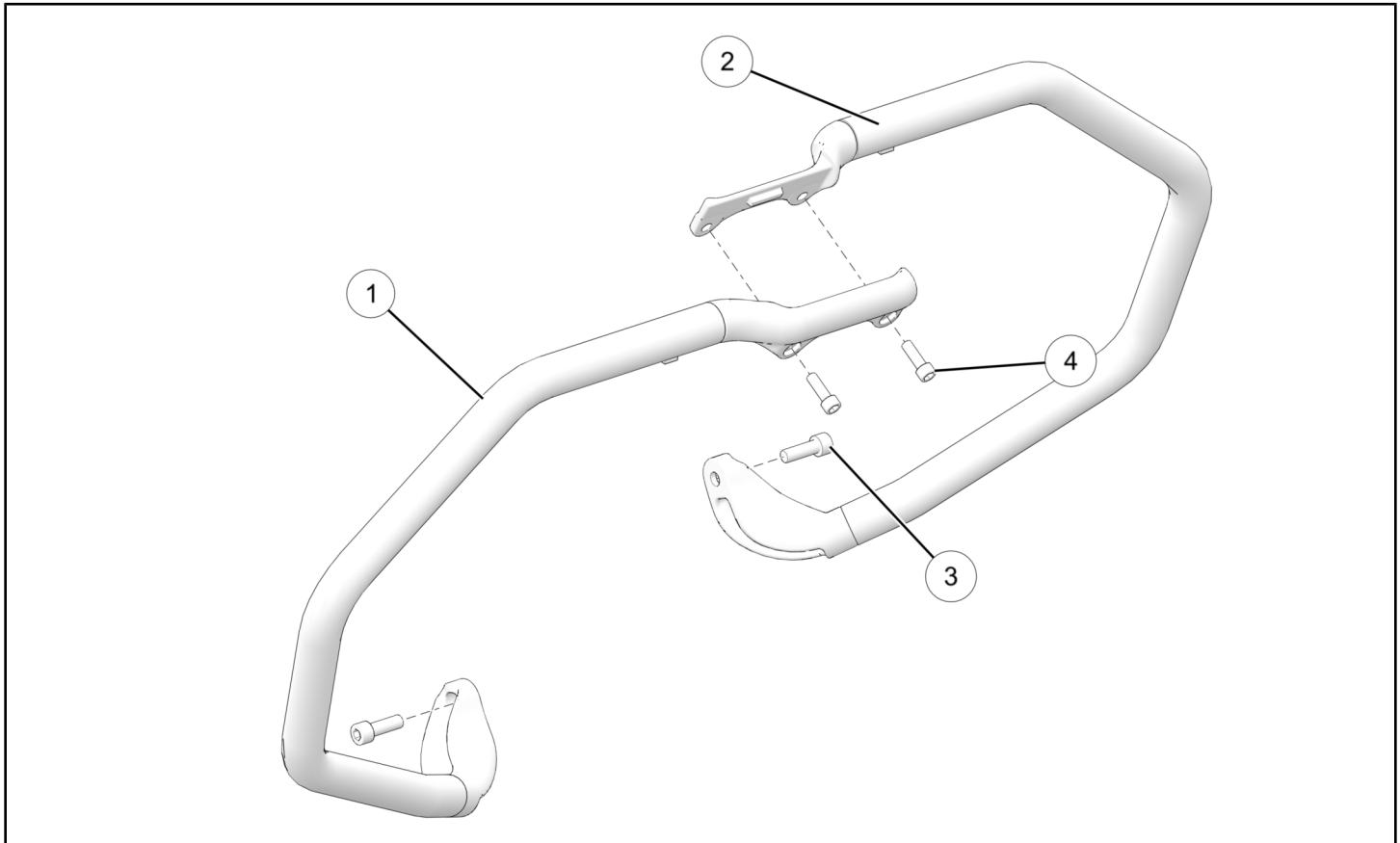
APPLICATION

Verify accessory fitment at www.indianmotorcycle.com.

BEFORE YOU BEGIN

Read these instructions and check to be sure all parts and tools are accounted for. Please retain these installation instructions for future reference and parts ordering information.

KIT CONTENTS



NOTE

XXX = Indian Motorcycle® color code (For example: 266 = Black)

REF	QTY	PART DESCRIPTION	P/N AVAILABLE SEPARATELY
1	1	Assembly, Highway Bar, RH	1024171-XXX
2	1	Assembly, Highway Bar, LH	1024172-XXX
3	2	Screw, Hex Socket Head, M10 X 1.5 X 30	7519844
4	2	Screw, Hex Socket Head, M8 X 1.25 X 25	7519859
5	1	Warning Decal (Not Shown)	7176355
	1	Instructions	9929369

TOOLS REQUIRED

- Safety Glasses
- Socket Set, Hex Bit, Metric
- Torque Wrench

IMPORTANT

Your Indian Front Highway Bar Kit is exclusively designed for your vehicle. Please read the installation instructions thoroughly before beginning. Installation is easier if the vehicle is clean and free of debris. For your safety, and to ensure a satisfactory installation, perform all installation steps correctly in the sequence shown.

INSTALLATION INSTRUCTIONS

VEHICLE PREPARATION

GENERAL

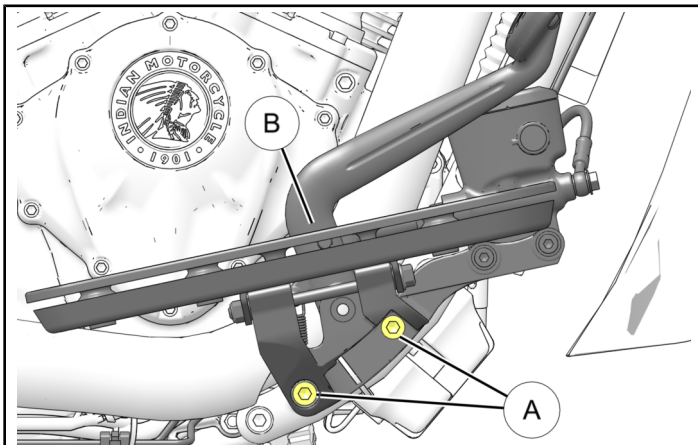
1. Turn key or ignition switch to “OFF” position and remove key. If equipped with keyless fob, remove fob from proximity of vehicle.
2. Ensure motorcycle is parked on a flat surface, kickstand is fully extended, and vehicle is stable prior to installation.

ACCESSORY INSTALLATION

1. Remove and retain two screws **A** from RH foot control assembly **B**. Support RH foot control assembly in a level position.

⚠ WARNING

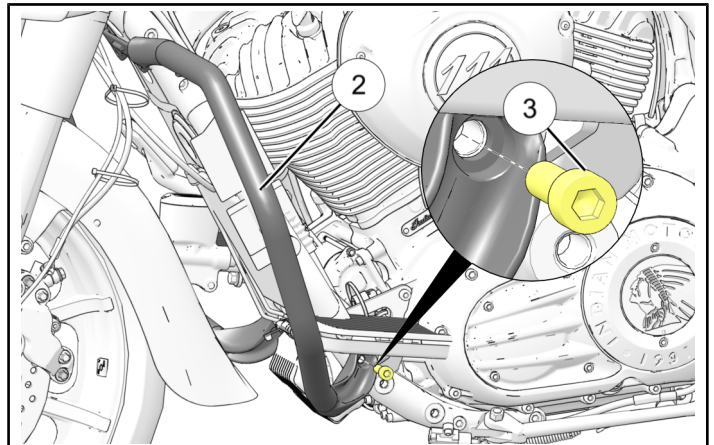
Right hand foot control assembly includes a rear brake master cylinder. Care must be taken not to kink or bend the brake lines. Foot control assembly must be supported and not hang freely. Failure to support master cylinder in a level orientation may cause reduced braking performance or brake failure.



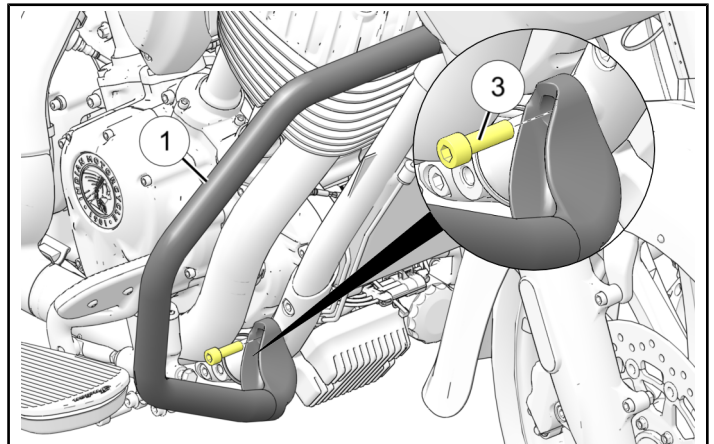
2. Hold LH highway bar **2** in place and loosely install screw **3** as shown. **DO NOT** torque fastener at this time.

CAUTION

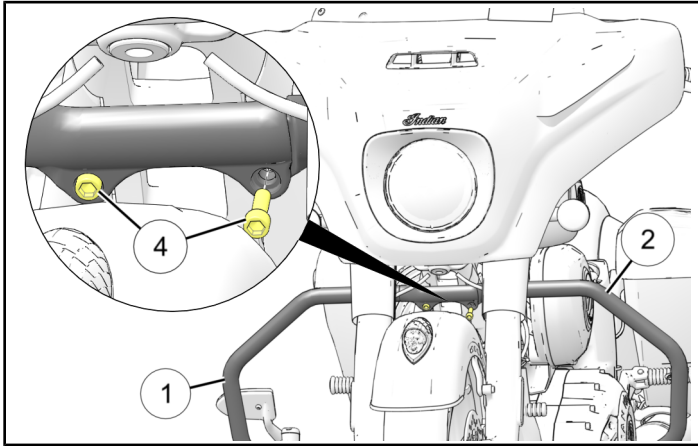
Be careful as to not drop or set the highway bar on the painted fender. Use a towel or cloth to protect the painted surface.



3. Hold RH highway bar **1** in place and loosely install screw **3** as shown. **DO NOT** torque fastener at this time.



4. Align LH ② and RH ① highway bar center bracket holes and loosely install two screws ④. **DO NOT** tighten fasteners at this time.



5. Align LH ② and RH ① highway bars and torque lower fasteners ③ to specification.

TORQUE

Lower highway bar screw ③:
35 ft. lbs. (47 Nm)

6. Torque upper highway bar fasteners ④ to specification.

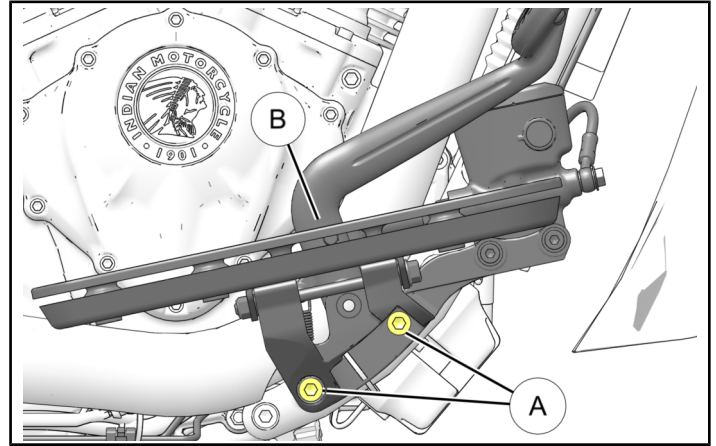
TORQUE

Upper highway bar screw ④:
18 ft. lbs. (24 Nm)

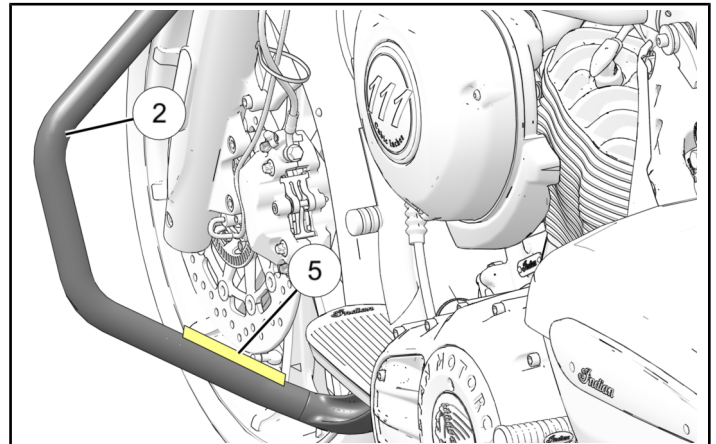
7. Reinstall RH foot control assembly ⑥ using two retained screws ⑦. Torque screws ⑦ to specification.

TORQUE

RH Foot assembly screw ⑦:
35 ft. lbs. (47 Nm)



8. Install warning decal ⑤ to LH highway bar ② as shown.



FEEDBACK FORM

A feedback form has been created for the installer to provide any comments, questions or concerns about the installation instructions. The form is viewable on mobile devices by scanning the QR code or by clicking [HERE](#) if viewing on a PC.

FEEDBACK FORM

