

HEATED AND COOLED SEAT KIT



P/N 2884903-XXX

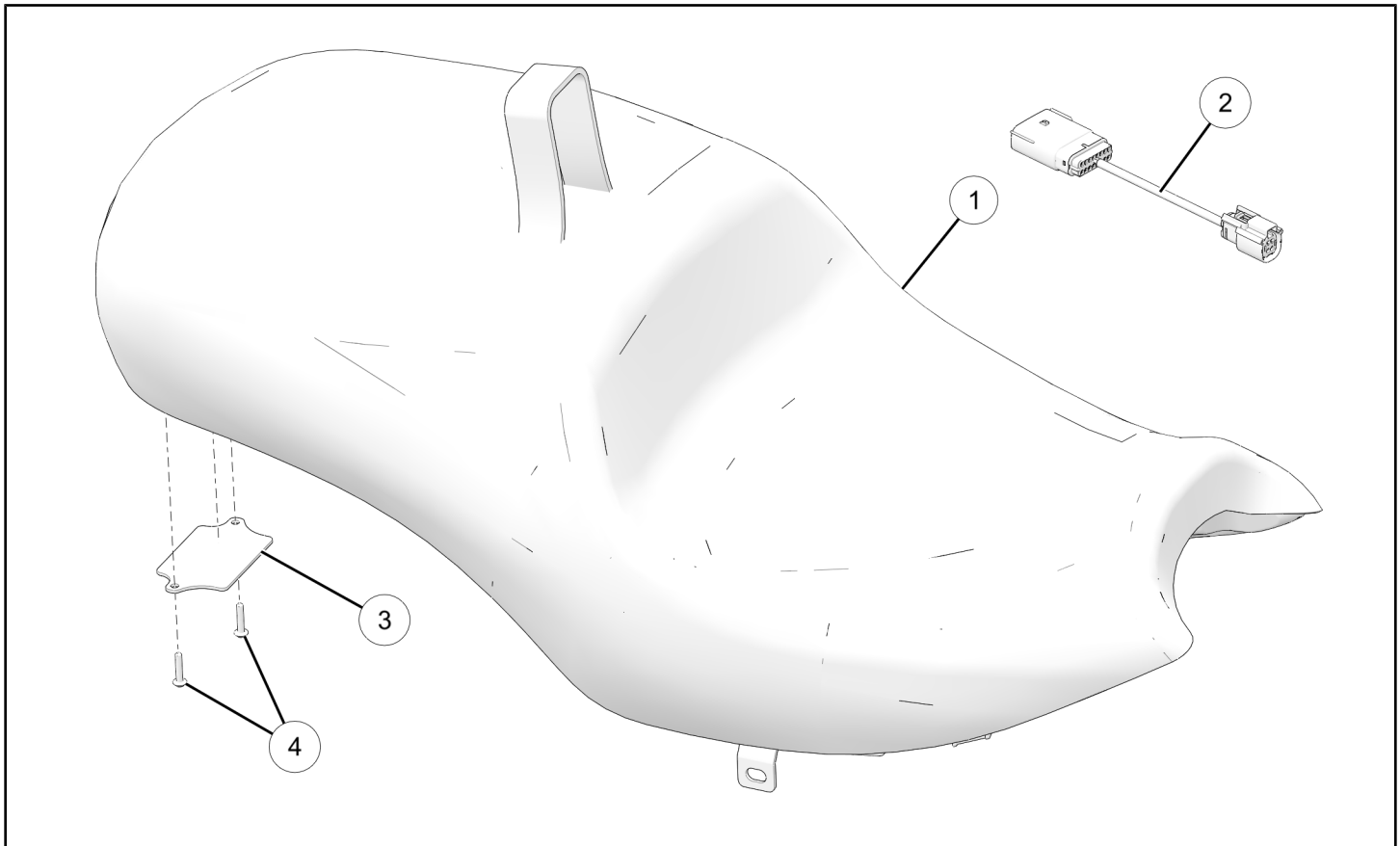
BEFORE YOU BEGIN

Read these instructions and check to be sure all parts and tools are accounted for. Please retain these installation instructions for future reference and parts ordering information.

APPLICATION

Verify accessory fitment at www.indianmotorcycle.com.

KIT CONTENTS

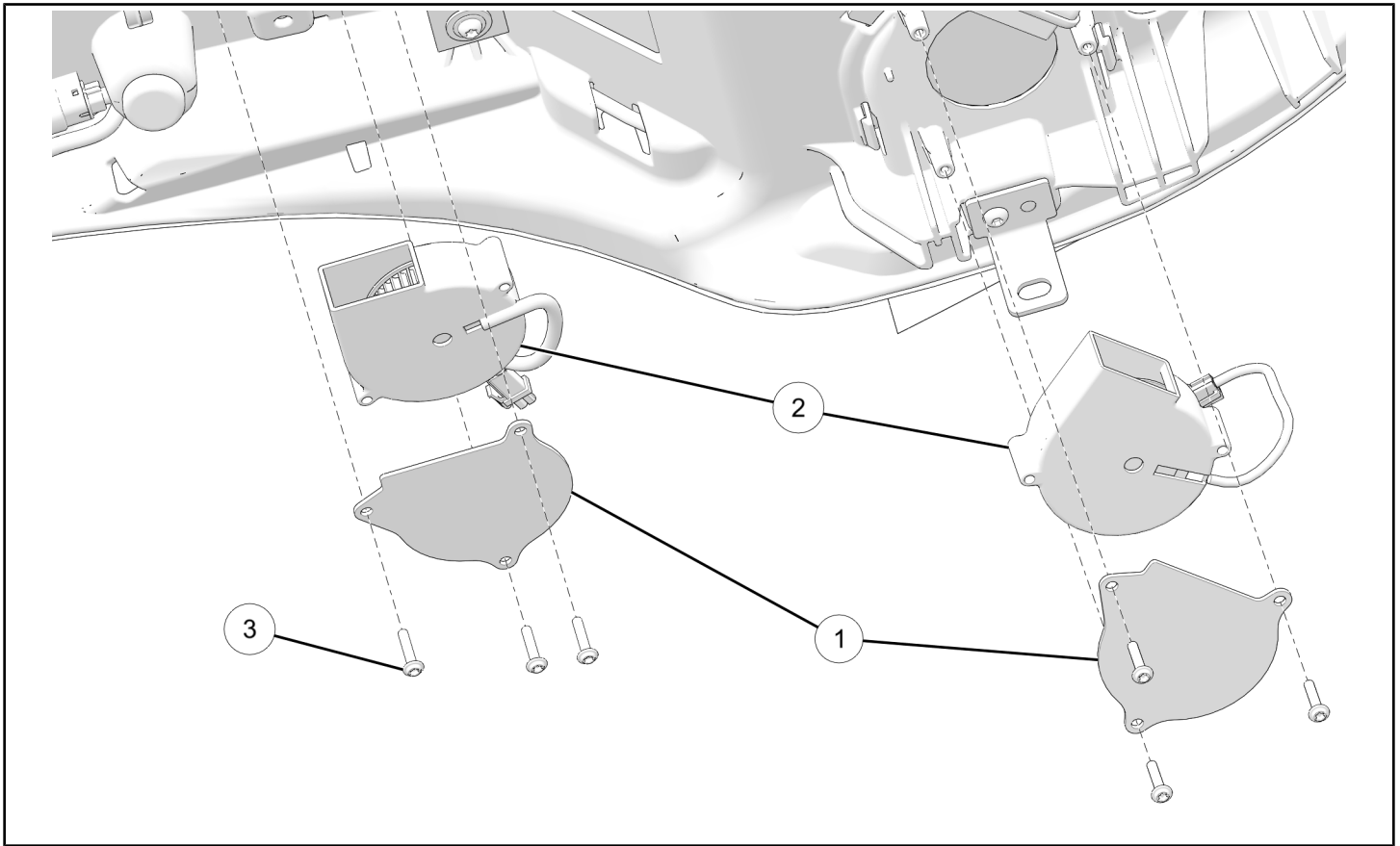


NOTICE

XXX = Indian Motorcycle® color code (For example VBA = Black)

REF	QTY	PART DESCRIPTION	P/N AVAILABLE SEPARATELY
1	1	Assembly, Heated/Cooled Seat, Chassis Mount Fairing	2690235
2	1	Harness, Heated/Cooled Seat Jumper	2415746
3	1	Cover, Harness	5270283
4	2	Screw, Torx®, Button Flange Head, M4 X 1.0 X 20 mm	7521153

SERVICE PARTS DETAIL



REF	QTY	PART DESCRIPTION	P/N AVAILABLE SEPARATELY
1	2	Bracket, Fan Mount, Heated/Cooled	5268051
2	2	Fan, Seat, Cooling	4018574
3	6	Screw, Torx®, Button Flange Head, M4 X 1.0 X 20 mm	7521153

TOOLS REQUIRED

- Safety Glasses
- Socket Set, Torx® Bit
- Socket Set, Hex Bit, Metric
- Torque Wrench

IMPORTANT

Your Indian Motorcycle® Heated and Cooled Seat Kit is exclusively designed for your vehicle. Please read the installation instructions thoroughly before beginning. Installation is easier if the vehicle is clean and free of debris. For your safety, and to ensure a satisfactory installation, perform all installation steps correctly in the sequence shown.

INSTALLATION INSTRUCTIONS

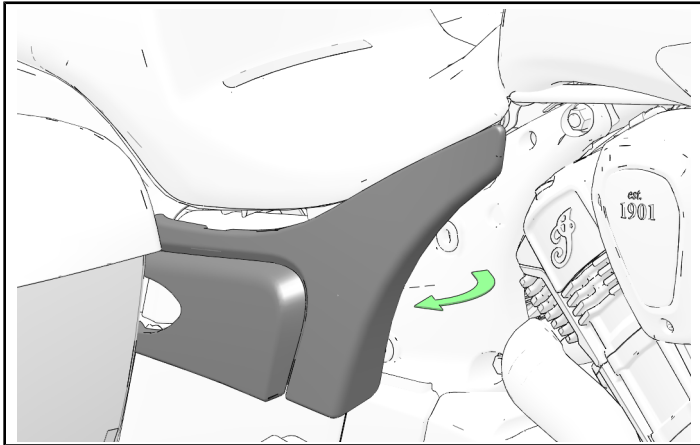
VEHICLE PREPARATION

GENERAL

1. Park motorcycle on a flat surface, fully extend kickstand, and make sure vehicle is stable.
2. Turn key or ignition switch to OFF position and remove key. If equipped with keyless fob, remove fob from proximity of vehicle.

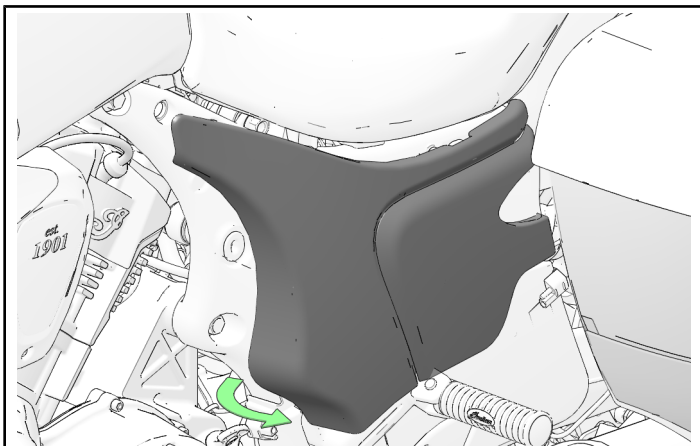
REMOVE RIGHT SIDE PANEL

1. Grasp front edge of right side panel and gently pull away from vehicle to release three grommet pins. Use caution to prevent damage to painted surfaces.



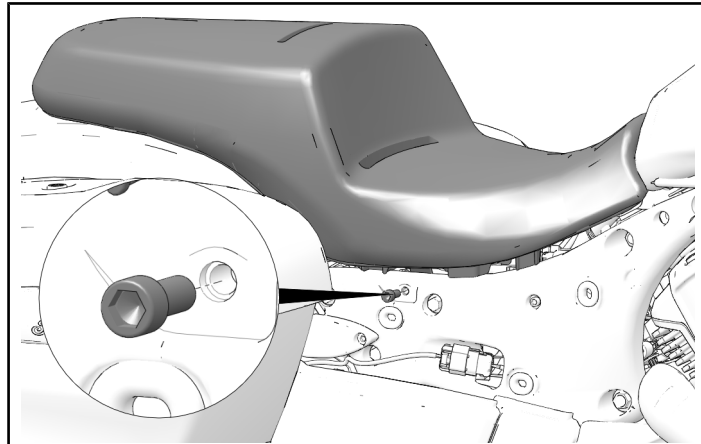
REMOVE LEFT SIDE PANEL

1. Grasp front lower corner left side panel and gently pull away from vehicle to release three grommet pins. Use caution to prevent damage to painted surfaces.

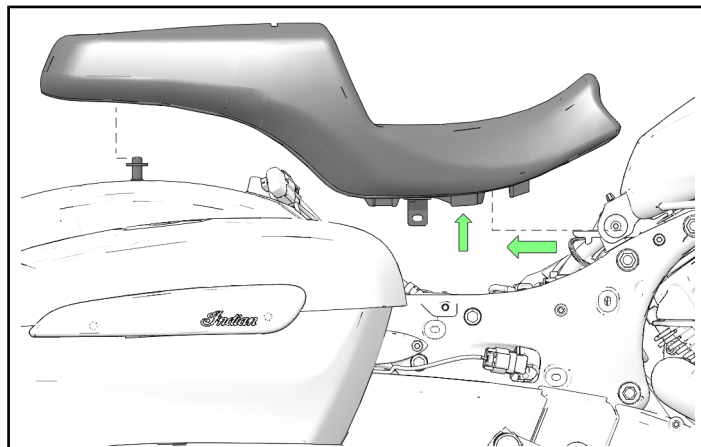


REMOVE SEAT

1. Remove and keep one screw from each side of seat.



2. Pull seat rearward, then upward to disengage seat from frame mount and hat bushing. Do not allow seat mount brackets to contact rear fender.

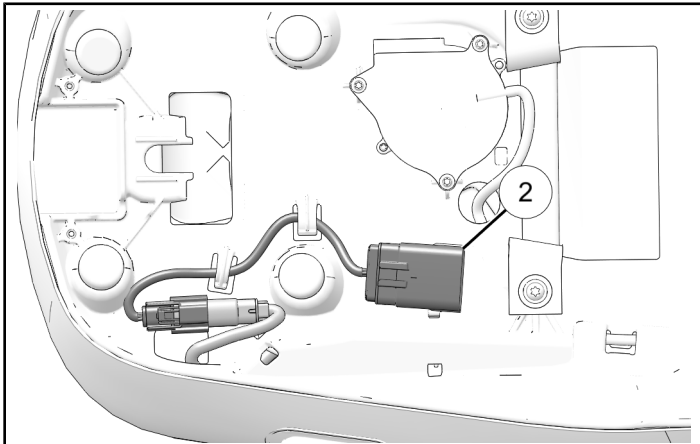


ACCESSORY INSTALLATION

SEAT ADAPTER HARNESS INSTALLATION

MOTORCYCLES WITHOUT TRUNKS

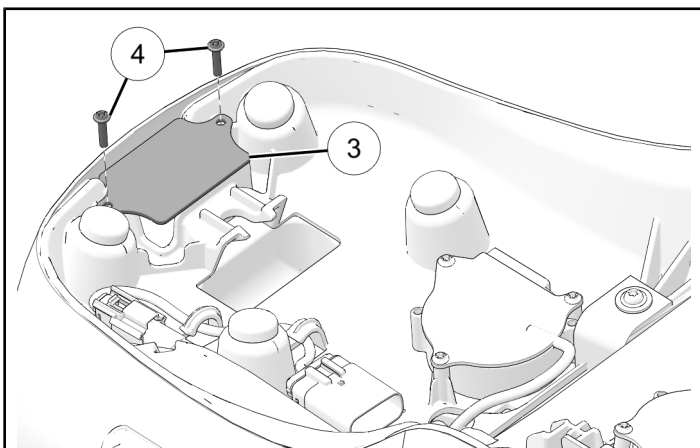
1. Turn seat upside down on a clean surface.
2. Install small harness connector from jumper harness ② to open connector under seat. Install wire under hooks as shown.



3. Attach trunk-connector panel ③ with screws ④ to bottom of seat. Torque screws to specification.

TORQUE

Trunk-Connector Panel Screw ⑧:
13 in-lbs (1 N·m)



TRUNK ADAPTER HARNESS INSTALLATION

MOTORCYCLES WITH TRUNK INSTALLED

Locate correct harness from trunk installation kit P/
N 2889065

NOTICE

Use proper seat harness for your motorcycle. Part number can be found on tag at end of wire harness.

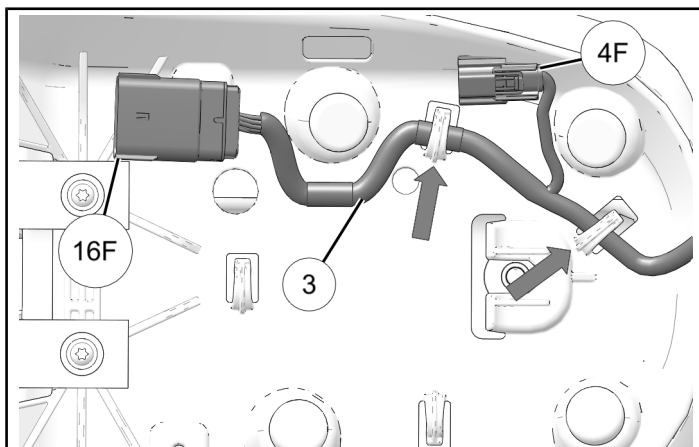


- **2415872:** Model Year 2020
- **2415829:** Model Year 2021+

NOTICE

If trunk is installed, jumper harness ② is not used.

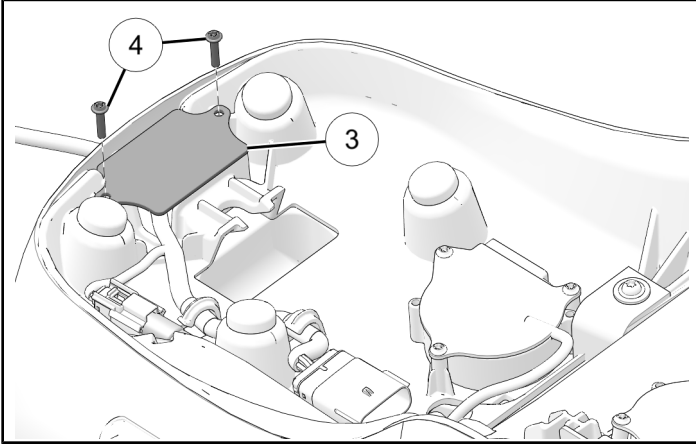
1. Set seat upside down on a clean surface.
2. Attach seat harness ③ to clips built into seat base as shown and fir tree clip on **16F** connector. (If equipped, connect **4F** connector to heated/cooled seat connector.)



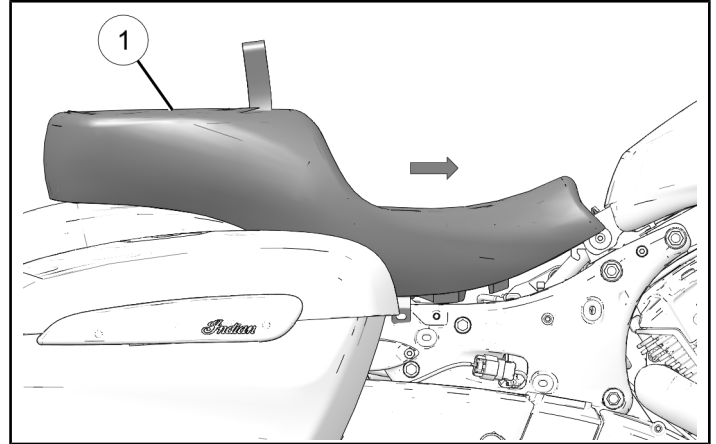
3. Attach trunk-connector panel ③ with screws ④ to bottom of seat and over harness. Torque screws to specification.

TORQUE

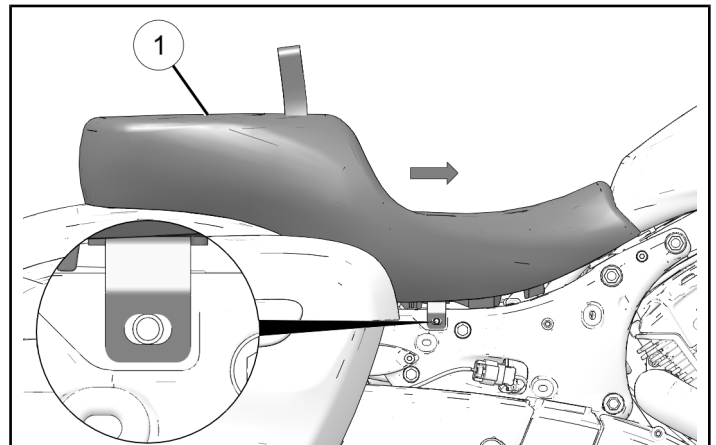
Trunk-Connector Panel Screw ⑧:
13 in-lbs (1 N·m)



3. Position the seat by inserting the seat mounting tab from rear to front into the mount on the top of the frame



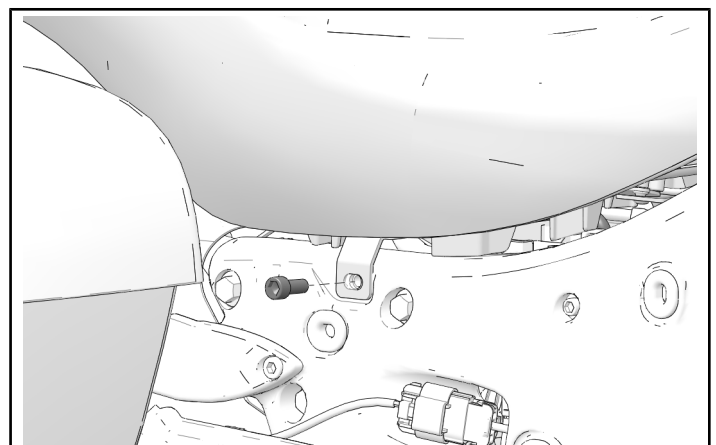
4. Rotate the rear of the seat downward and position the side mount seat brackets onto the frame. Do not allow the seat mount brackets to contact the rear fender. Align mounting screw holes with seat bracket holes as shown.



5. Install retained screws to attach seat to motorcycle. Torque screws to specification.

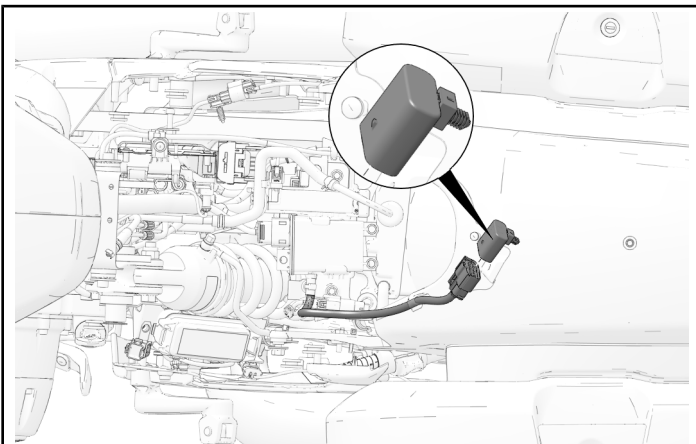
TORQUE

Seat Screw:
18 ft-lbs (24 N·m)

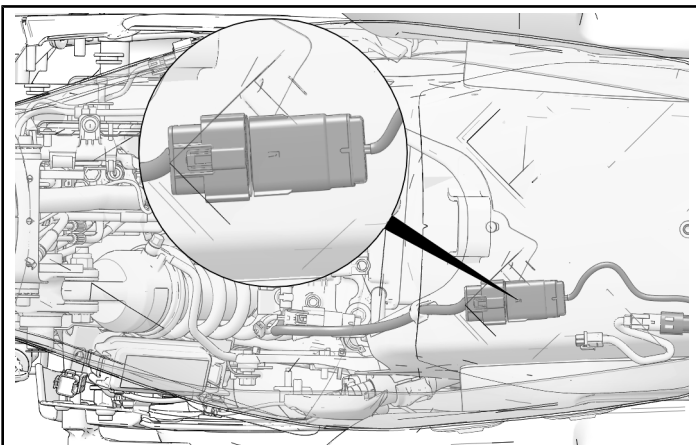


HEATED/COOLED SEAT INSTALLATION

1. Disconnect chassis harness from blank plug.



2. Carefully set seat in place and connect heated seat connector to chassis harness connector



VEHICLE REASSEMBLY

GENERAL

1. Reinstall side panels.

OPERATION

SWITCH FUNCTIONS

Switches are located on left hand side of seat. Front switch is for driver seat section, rear switch is for passenger seat section. Within each heating and cooling mode, there are three settings: Low, Medium, and High.



NOTICE

To change from Heat mode to Cool mode, or Cool mode to Heat mode, first turn off seat section by pushing the center OFF button.

COOLING

Push the minus (-) button once to activate Low cool mode. Once activated, push plus (+) or minus (-) to cycle through Low, Medium, and High cool modes.

TIP

Push and hold the minus (-) button for two seconds to activate High cool mode.

HEATING

Push the plus (+) button once to activate Low heat mode. Once activated, push plus (+) or minus (-) to cycle through Low, Medium, and High heat modes.

TIP

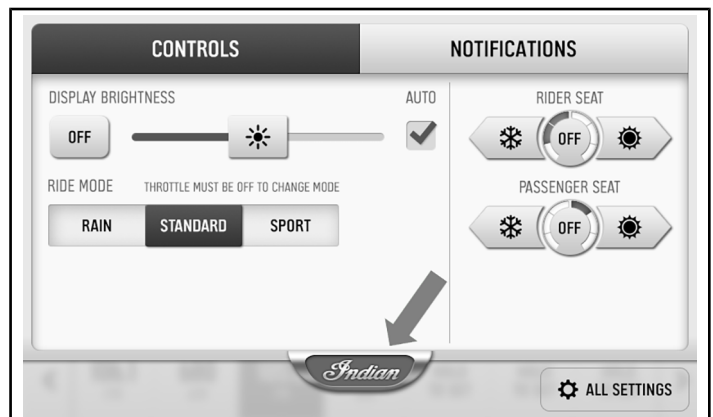
Push and hold the plus (+) button for two seconds to activate High heat mode.

RIDE COMMAND®

A brief pop-up will appear on the Ride Command® touchscreen display when any of the switches are pressed. You can adjust seat temperatures from this screen.



1. To access the heated/cooled seat controls in Ride Command® slide the Indian® icon down from the top of the screen.



2. Heated/cooled seat settings can be adjusted from this menu.

HEATED/COOLED SEAT TRUNK HARNESS STORAGE

1. If a trunk is removed temporarily, the trunk harness can be stored underneath the seat.
2. Remove trunk and disconnect harness from trunk.
3. Lift rear cover and store wire harness into opening as shown.



4. Close rear cover.

INSTRUCTION FEEDBACK FORM

A feedback form has been created for the installer to provide any comments, questions or concerns about the installation instructions. The form is viewable on mobile devices by scanning the QR code or by clicking [HERE](#) if viewing on a PC.

