

# STRUT COVER AND QUICK RELEASE SPOOL KIT



**P/N 2883998-XXX**

## APPLICATION

All MY14 and newer Chief®, Chief® Classic, and Chief Dark Horse® models.

Verify accessory fitment at [www.indianmotorcycle.com](http://www.indianmotorcycle.com).

### IMPORTANT

This **cannot** be used with the following kits:

<b>Passenger Sissy Bars</b>	<b>Saddlebag Kits</b>	<b>Quick Release Trunk Systems</b>	
<ul style="list-style-type: none"><li>• 2880669-XXX</li><li>• 2880670-XXX</li></ul>	<ul style="list-style-type: none"><li>• 2879917-XX</li></ul>	<ul style="list-style-type: none"><li>• 2882296</li><li>• 2880283-XXX/XXXX</li><li>• 2882297</li></ul>	<ul style="list-style-type: none"><li>• 2880736-XXX</li><li>• 2884046-XXX/XXXX</li><li>• 2884048-XXX</li></ul>

### IMPORTANT

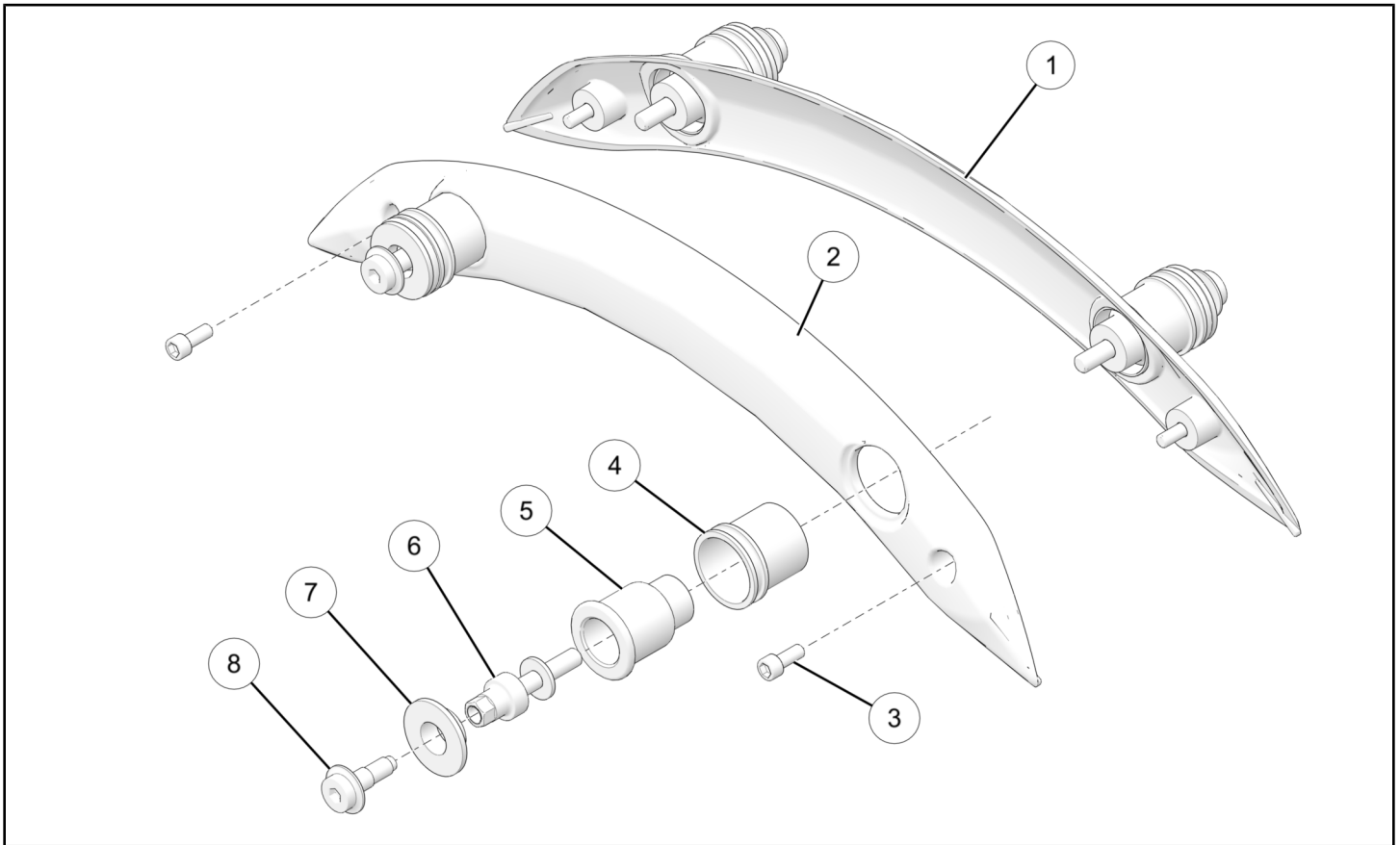
This **can** be used with the following kits:

<b>Passenger Sissy Bars</b>	<b>Saddlebag Kits</b>
<ul style="list-style-type: none"><li>• 2880832-XXX</li><li>• 2880833-XXX</li></ul>	<ul style="list-style-type: none"><li>• 2884005-XX</li></ul>

## BEFORE YOU BEGIN

Read these instructions and check to be sure all parts and tools are accounted for. Please retain these installation instructions for future reference and parts ordering information.

## KIT CONTENTS



### NOTE

XXX = Indian® color code (For example: 266 = Black)

REF	QTY	PART DESCRIPTION	P/N AVAILABLE SEPARATELY
1	1	Cover, Strut, Tour, LH	5139598-XXX
2	1	Cover, Strut, Tour, RH	5139599-XXX
3	4	Screw, Hex Socket Head, M6 X 1.0 X 15	7517272
4	4	Bushing, Spool, Trunk	5455069
5	4	Spool, Saddlebag, M8	5142222
6	4	Screw, Hex Head, Specialty, M8 X 1.25 X 38	7520937
7	4	Bushing, Flange, Rubber	5416820
8	4	Screw, Hex Socket Head, M8 X 1.25 X 27	7521006
	1	Instructions	9929285

## TOOLS REQUIRED

- Safety Glasses
- Socket Set, Hex Bit, Metric
- Socket Set, Metric
- Torque Wrench

## IMPORTANT

Your Indian Strut Cover and Quick Release Spool Kit is exclusively designed for your vehicle. Please read the installation instructions thoroughly before beginning. Installation is easier if the vehicle is clean and free of debris. For your safety, and to ensure a satisfactory installation, perform all installation steps correctly in the sequence shown.

## INSTALLATION INSTRUCTIONS

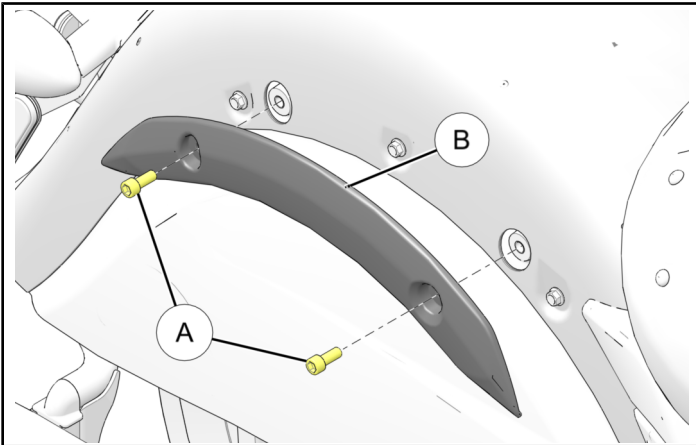
### VEHICLE PREPARATION

#### GENERAL

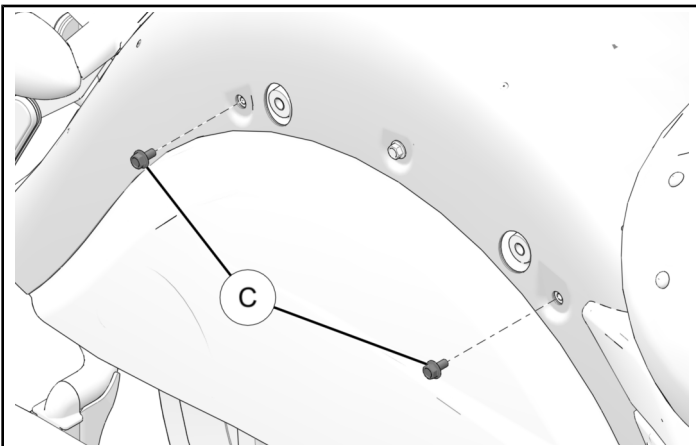
1. Turn key or ignition switch to "OFF" position and remove key. If equipped with keyless fob, remove fob from proximity of vehicle.
2. Ensure motorcycle is parked on a flat surface, kickstand is fully extended, and vehicle is stable prior to installation.

#### STRUT COVER REMOVAL

1. Remove and discard two screws (A) from each Strut Cover (B). Remove and discard left and right Strut Covers (B).

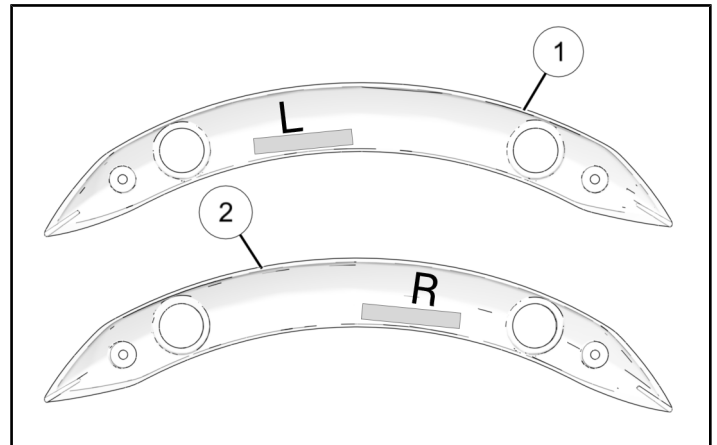


2. Remove and discard two screws (C) and washers (not shown, if applicable) from each side of rear fender.

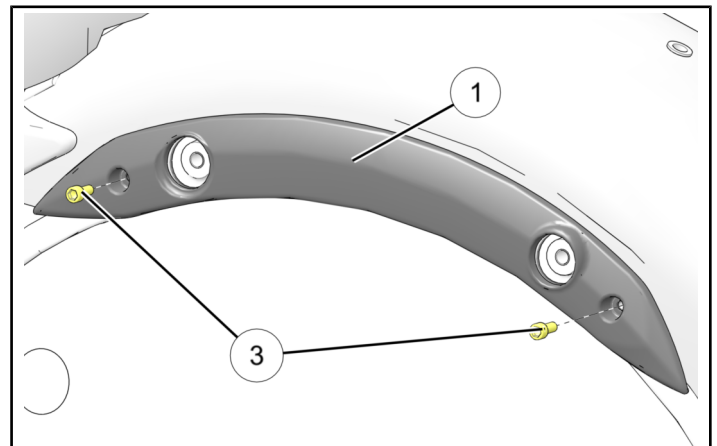


### ACCESSORY INSTALLATION

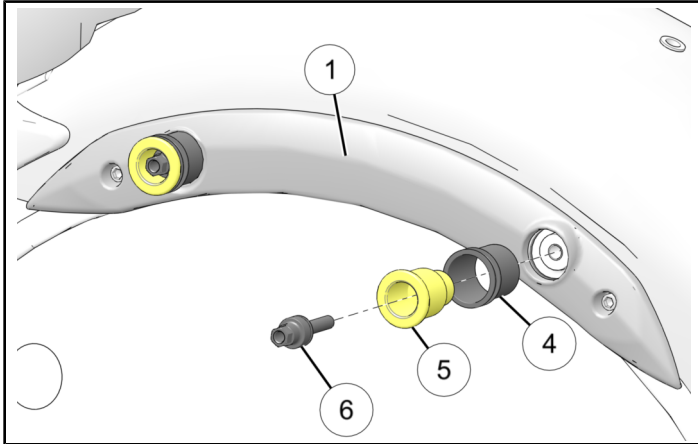
1. Identify left and right strut covers from kit. Left cover (1) has an "L" inside and right cover (2) has an "R" inside as shown.



2. Loosely install left strut cover (1) with two new fasteners (3). **Do not torque fasteners at this time.**



3. Slide plastic bushing ④ over runner bushing ⑤. Install assembled parts into hole in fender strut cover ① and loosely install new specialty screw ⑥. Repeat for second hole in fender strut cover.



4. Torque Specialty screws ⑥ to specification.

#### TORQUE

Specialty Screws ⑥: **32 ft. lbs. (44 Nm)**

5. Torque new strut cover screws ② (installed in **step 2** of this section) to specification.

#### TORQUE

84 in. lbs. (9.5 Nm)

6. Repeat this section for the right fender strut cover ②.

#### NOTE

Retain four screws ⑧ and four bushings ⑦ for use with saddlebag kit if purchased.

## FEEDBACK FORM

A feedback form has been created for the installer to provide any comments, questions or concerns about the installation instructions. The form is viewable on mobile devices by scanning the QR code or by clicking [HERE](#) if viewing on a PC.

#### FEEDBACK FORM

