

REAR WHEEL KIT



P/N 2882760-XXX, 2884427-XXX

IMPORTANT

Due to the technical nature of this kit, Indian Motorcycle® insists that this installation be performed by a certified Indian Motorcycle® technician.

APPLICATION

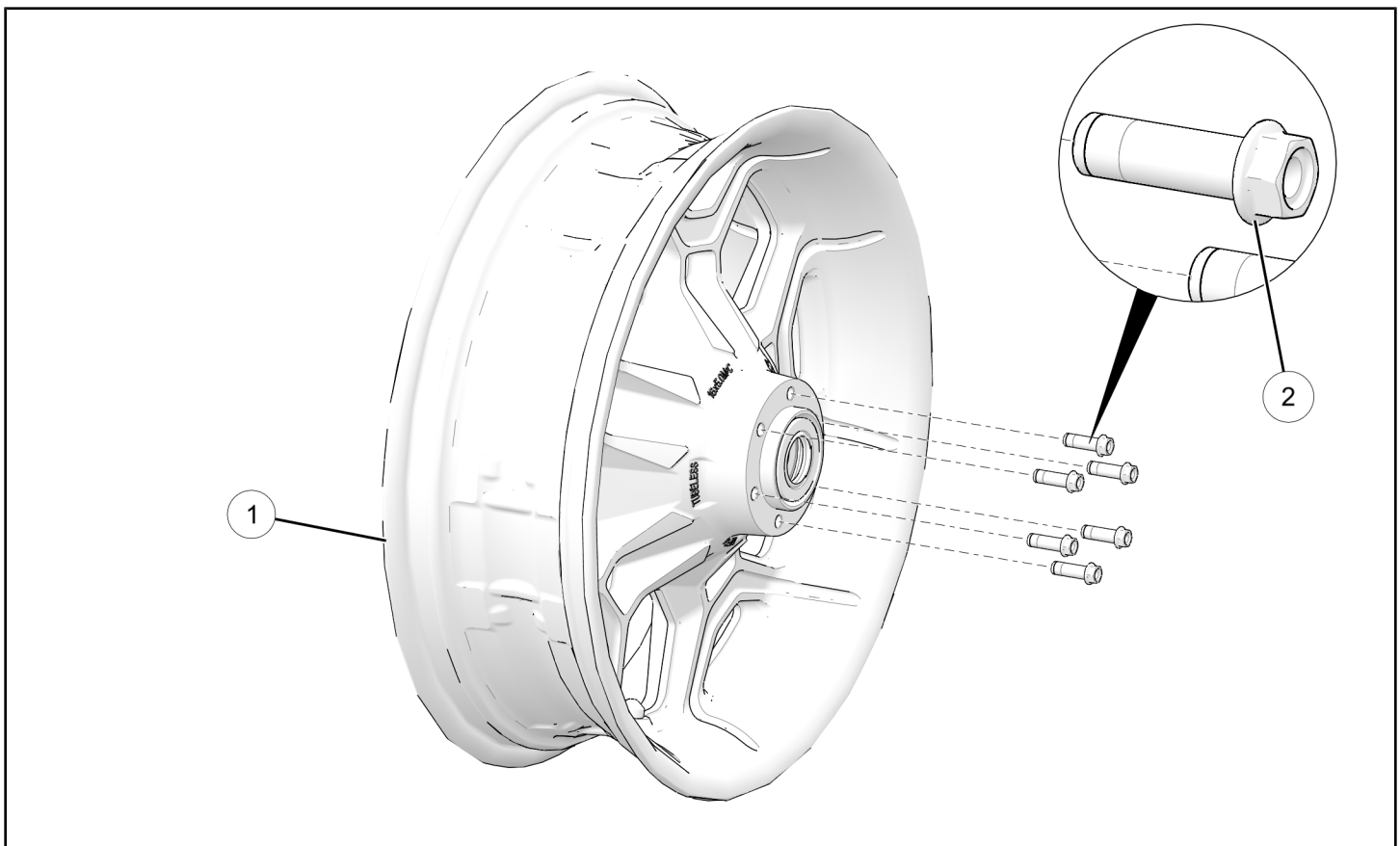
Verify accessory fitment at www.indianmotorcycle.com.

BEFORE YOU BEGIN

Read these instructions and check to be sure all parts and tools are accounted for. Please retain these installation instructions for future reference and parts ordering information.

KIT CONTENTS

P/N 2884427-XXX Shown; P/N 2882760-XXX Similar



NOTE

XXX = Indian Motorcycle® color code (For example: 266 = Black)

REF	QTY	PART DESCRIPTION	PART NUMBER
1	1	Wheel, Rear, 16 X 5.0, Cast (2882760-XXX Only) Wheel, Rear, 16 X 5.0, Cast (2884427-XXX Only)	1523060-XXX 1523710-XXX
2	6	Screw, M8 X 1.25 X 25	7521014

TOOLS REQUIRED

- Safety Glasses
- Platform Jack, Motorcycle
- Socket Set, Hex Bit, Metric
- Socket Set, Metric
- Torque Wrench
- Belt Tension Gauge
- Tire Changing and Balancing Equipment
- Appropriate Service Manual

IMPORTANT

Your Indian Motorcycle® Rear Wheel Kit is exclusively designed for your vehicle. Please read the installation instructions thoroughly before beginning. Installation is easier if the vehicle is clean and free of debris. For your safety, and to ensure a satisfactory installation, perform all installation steps correctly in the sequence shown.

INSTALLATION INSTRUCTIONS

VEHICLE PREPARATION

GENERAL

1. Turn key or ignition switch to **OFF** position and remove key. If equipped with keyless fob, remove fob from proximity of vehicle.
2. Ensure motorcycle is parked on a flat surface, kickstand is fully extended, and vehicle is stable prior to installation.

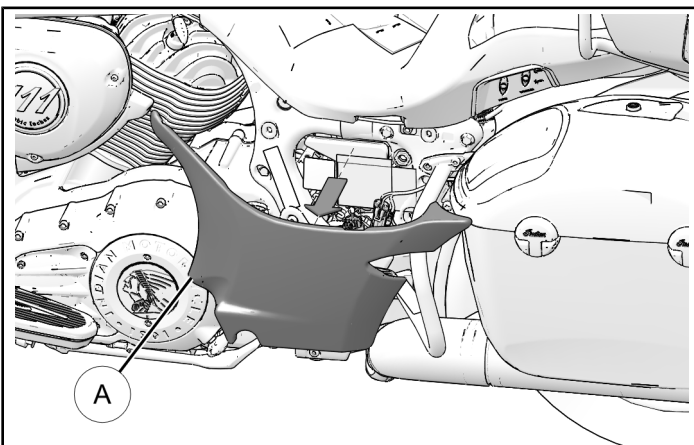
CAUTION

Use care not to scratch or damage painted surfaces when removing parts.

3. Remove trunk and saddlebags (if equipped) as per Owner's Manual.

LEFT SIDE PANEL REMOVAL

1. Remove left side panel (A) by firmly pulling corners of upper cover outward to disengage each tab from grommet frame.



REAR WHEEL REMOVAL

⚠ WARNING

Rear wheel removal involves supporting machine with rear end elevated. Take precautions to ensure motorcycle is securely supported when rear tire is off the ground. Severe personal injury or death can occur if motorcycle tips or falls.

⚠ WARNING

Ensure exhaust system has cooled to room temperature before elevating motorcycle.

⚠ WARNING

If working on a motorcycle with a charcoal canister (EVAP), remove canister prior to elevating rear of motorcycle to prevent damage to canister hose fittings.

⚠ WARNING

FOR REPAIRED TIRES: Speed should not exceed **50 MPH** for first 24 hours after repair and repaired tire should never be used over **80 MPH**. Inspect inflation pressure after tire cools for at least three hours following “run-in”.

FOR NEW TIRES: Indian Motorcycle® recommends against installation of tires other than OEM approved replacement(s). Differently constructed tires may adversely affect stability, braking and other handling characteristics potentially leading to loss of vehicle control and injury. When new tires are installed they should not be subjected to maximum power or hard cornering until a reasonable “scrub” period of approximately 100 miles has been covered. This will permit rider to become accustomed to “feel” of new tires or tire combination, and achieve optimum road grip. Inspect and adjust tire inflation pressure after tire cools down for at least three hours following “run-in”.

1. Elevate rear of motorcycle and remove rear wheel assembly as per Indian Service Manual. Safely hang rear caliper.

CAUTION

Do not hang rear brake caliper from brake line. Do not twist brake line or damage may result.

NOTE

Do not apply rear brake pedal after brake caliper has been removed.

REAR SPROCKET AND BRAKE DISC REMOVAL

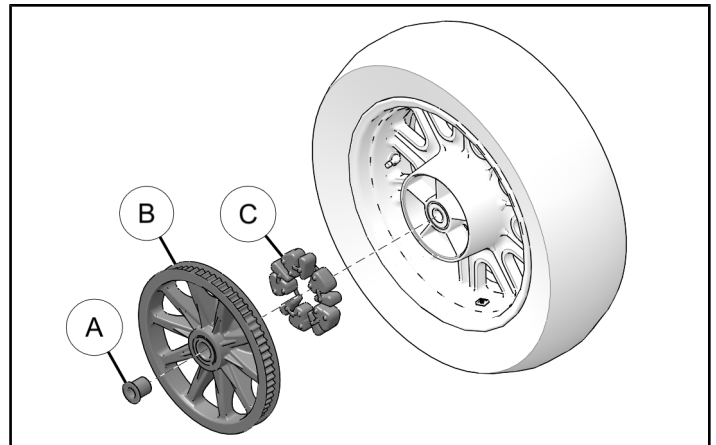
CAUTION

Protect brake disc surface while working on wheel.

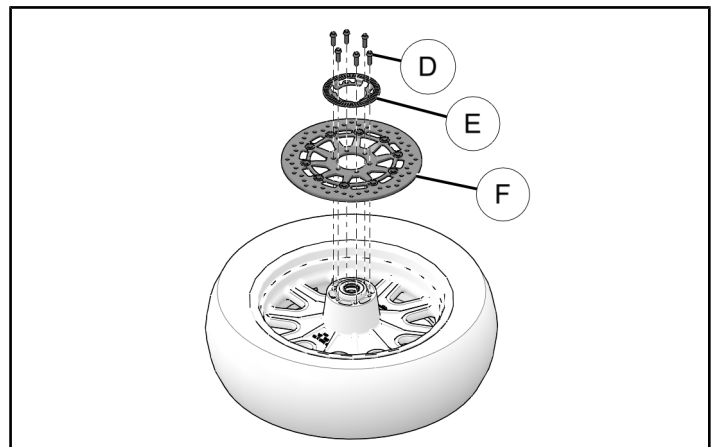
1. Remove outer spacer (A) from driven sprocket (B). Lift driven sprocket assembly off drive damper (C). Carefully remove rubber cushion drive damper from wheel. Retain parts for reassembly.

IMPORTANT

Be careful not to damage rubber elements. Visually inspect cushion drive damper for cracks or deformation. Replace damper if damage is found.



2. Position wheel with brake disc facing up. Remove and discard six rear brake disc screws (D). Remove and retain ABS tone ring (E) (if equipped) and brake disc (F). Inspect parts for damage and wear.



ACCESSORY INSTALLATION

TIRE MOUNTING AND BALANCING

NOTE

Detailed Instructions for tire removal and installation can be found in the appropriate Indian® Service Manual.

REAR BRAKE DISC INSTALLATION

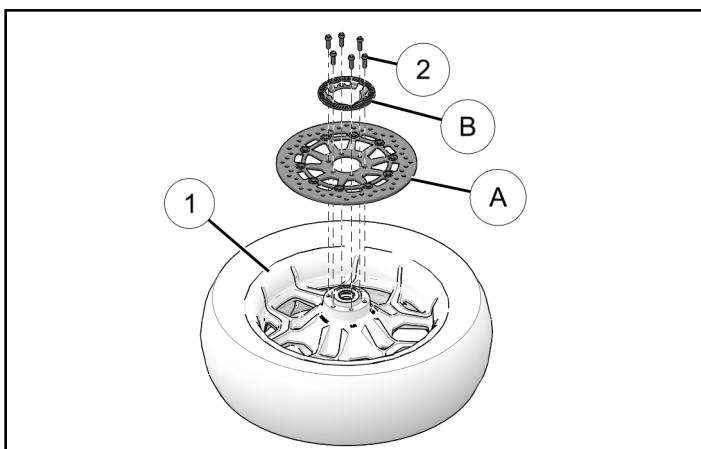
NOTE

Inspect all reused parts for wear or damage before installing and replace if needed. Detailed instructions for inspection are found in appropriate Indian® Service Manual.

1. Assemble rear brake disc (A) to new wheel (1). Assemble ABS tone ring (B) (if equipped) to rotor, and install six new screws (2). Torque screws to specification in a star pattern.

TORQUE

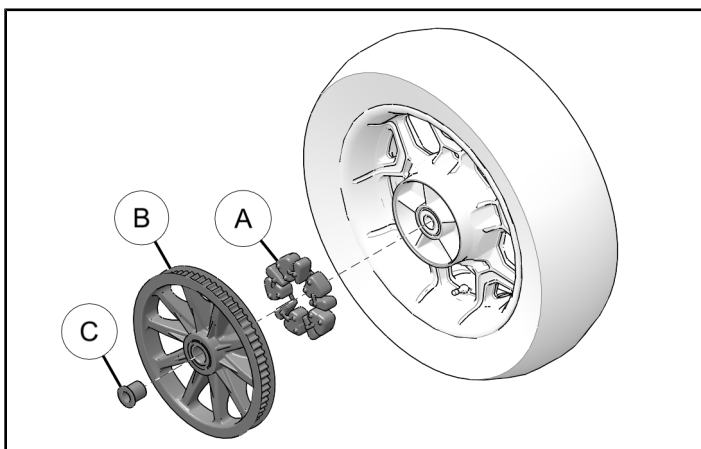
Rear Wheel Screws (2):
22 ft-lbs (30 N·m)



VEHICLE REASSEMBLY

REAR SPROCKET INSTALLATION

1. Install rubber cushion drive damper (A) into wheel hub. Ensure raised part number is facing inward. Install drive sprocket (B) onto wheel and outer spacer (C) into drive sprocket.



REAR WHEEL INSTALLATION

1. Install rear wheel assembly and reassemble as per Indian® Service Manual.
2. Torque all installed and reinstalled fasteners to specification.

TORQUE

Axle Nut:
Step 1:
15 ft-lbs (20 N·m)
Step 2:
65 ft-lbs (88 N·m)

TORQUE

Wheel Speed Sensor Bolt:
96 in-lbs (11 N·m)

TORQUE

Rear Caliper Mounting Bolts:
31 ft-lbs (42 N·m)

3. Set drive belt tension and alignment as per Indian® Service Manual.
4. Check rear wheel speed sensor air gap and adjust as per appropriate Indian® Service Manual.
5. Check for proper brake function before test riding motorcycle.

FEEDBACK FORM

A feedback form has been created for the installer to provide any comments, questions or concerns about the installation instructions. The form is viewable on mobile devices by scanning the QR code or by clicking [HERE](#) if viewing on a PC.

