

ARMREST SUPPORT KIT



P/N 2880032, 2880759, 2883959

APPLICATION

Indian® Heavyweight Motorcycles with Indian® Motorcycle Trunk

Verify accessory fitment at www.indianmotorcycle.com.

BEFORE YOU BEGIN

Read these instructions and check to be sure all parts and tools are accounted for. Please retain these installation instructions for future reference and parts ordering information.

REQUIRED SOLD SEPARATELY

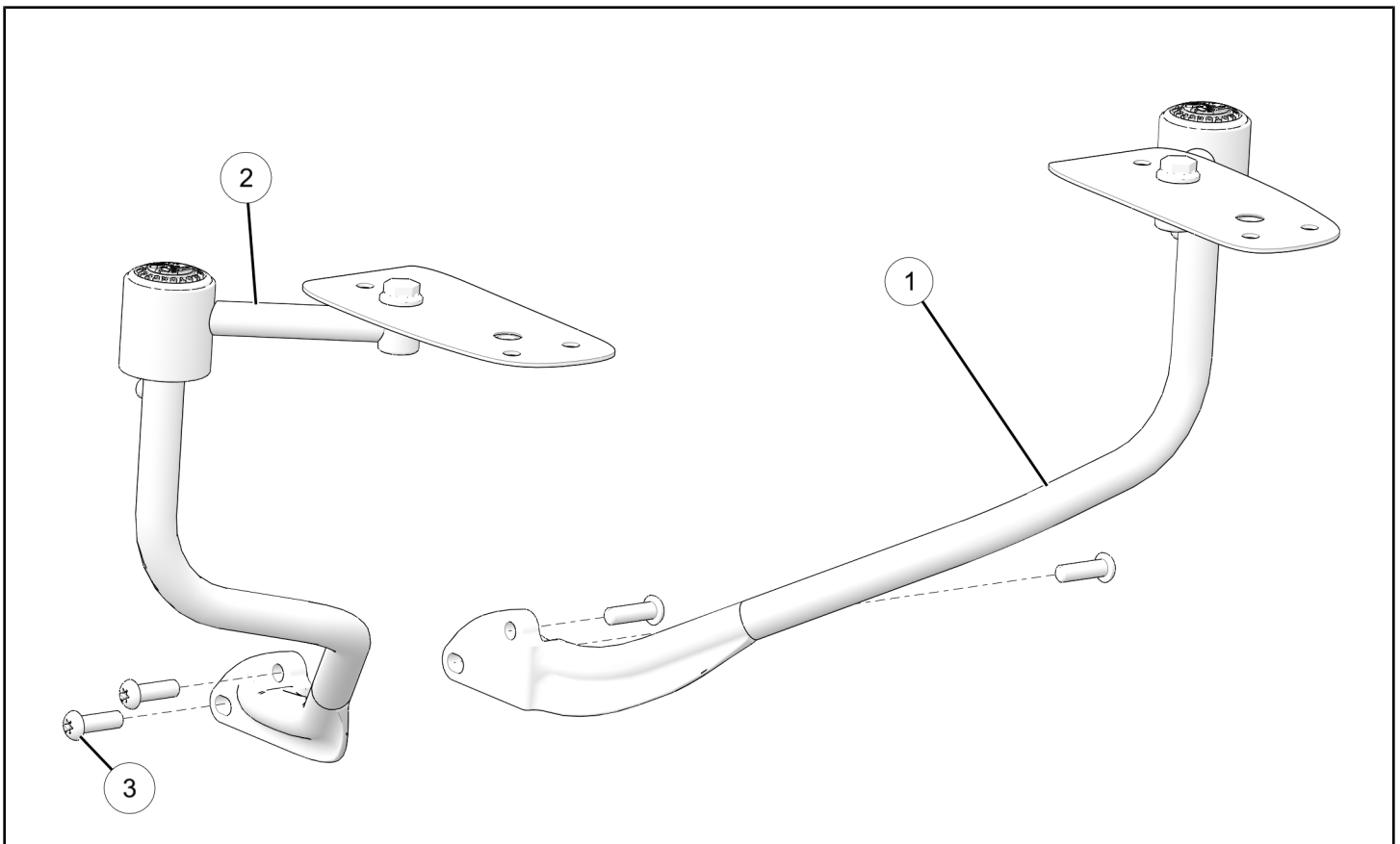
Only parts for installation of the Indian Motorcycle® Armrest Support Kit are included. For complete installation, the following additional kit is required (sold separately):

- *Armrest Pad Kit*, P/N 2880041-XXX

NOTE

XXX = Indian Motorcycle® color code (For example: 266 = Black)

KIT CONTENTS



REF	QTY	PART DESCRIPTION	P/N AVAILABLE SEPARATELY
1	1	Armrest, LH	-
2	1	Armrest, RH	-
3	4	Screw, Torx® Button Head, M8 X 1.25 X 25	7520040

TOOLS REQUIRED

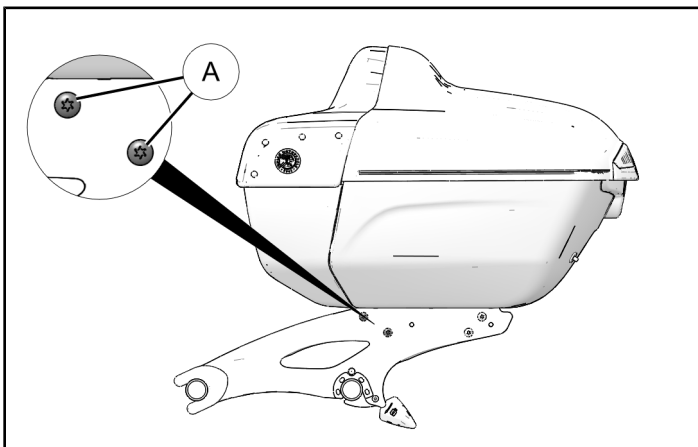
- Hex Key Set, Metric
- Socket Set, Hex Bit, Metric
- Socket Set, Torx® Bit
- Torque Wrench

IMPORTANT

Your Indian Motorcycle® Armrest Support Kit is exclusively designed for your vehicle. Please read the installation instructions thoroughly before beginning. Installation is easier if the vehicle is clean and free of debris. For your safety, and to ensure a satisfactory installation, perform all installation steps correctly in the sequence shown.

INSTALLATION INSTRUCTIONS

1. Remove two screws (A) from each side of trunk bracket.
2. Secure left (1) and right (2) armrest mounts to trunk bracket with four new screws (3). Torque screws to specification.

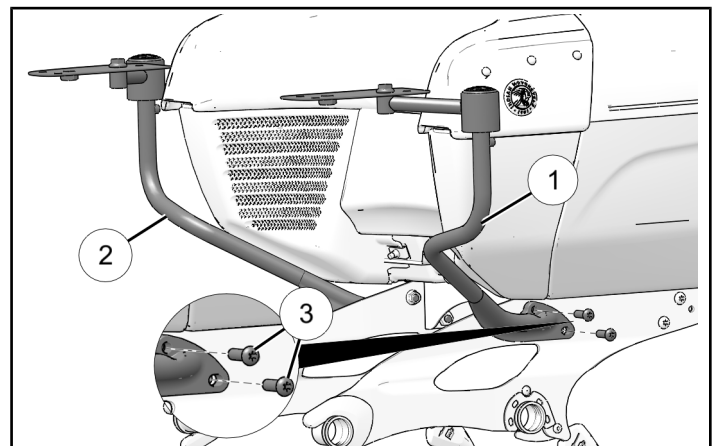


TORQUE

Armrest Mounting Bolts (3):
18 ft-lbs (24 N·m)

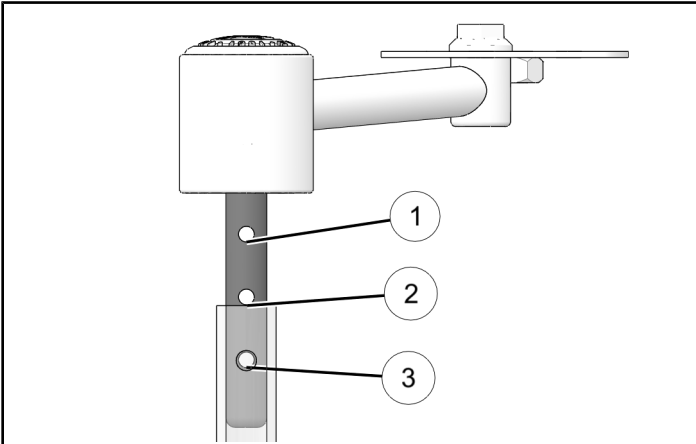
NOTE

Allow arm rests to hang down under their own weight while tightening bolts.



VERTICAL ADJUSTMENT (OPTIONAL)

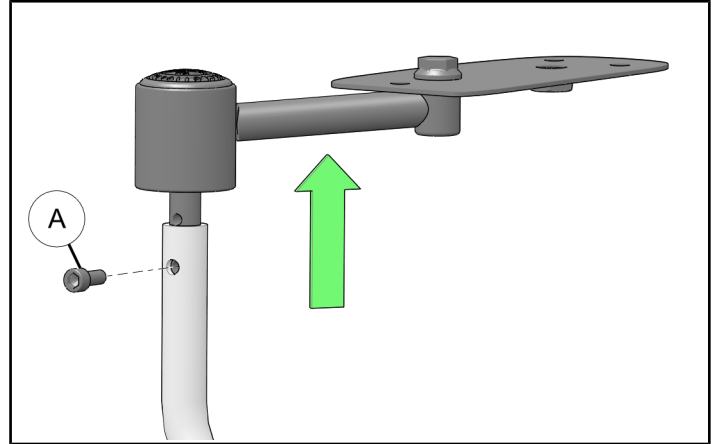
1. Armrests have three height adjustment positions.



2. If adjustment is desired remove screw (A). Adjust height and reinstall screw (A). Torque screws to specification.

TORQUE

Height Adjustment Screw (A):
90 in-lbs (10 N·m)



FEEDBACK FORM

A feedback form has been created for the installer to provide any comments, questions or concerns about the installation instructions. The form is viewable on mobile devices by scanning the QR code or by clicking [HERE](#) if viewing on a PC.

