

PHONE MOUNT KIT



P/N 2880449

APPLICATION

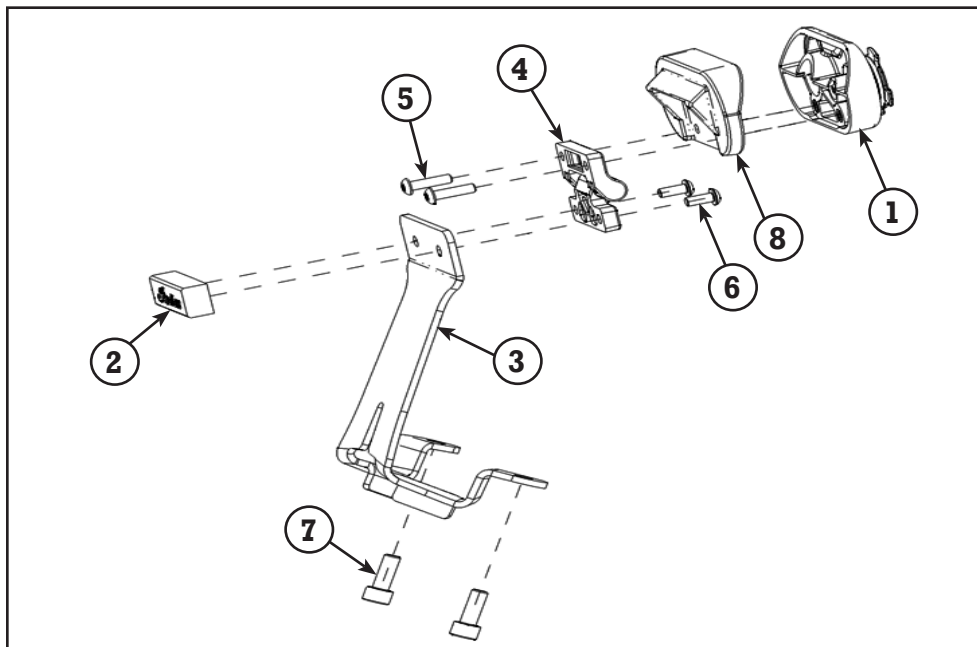
ALL MY15 INDIAN SCOUT MOTORCYCLES.

⚠ WARNING

This accessory is only approved for use with the models listed. **NEVER** use this accessory on non-approved models. Use of this accessory on models other than those listed in these instructions may negatively affect the stability of the vehicle, lead to loss of control, and result in serious injury or death.

BEFORE YOU BEGIN

Read these instructions and check to be sure all parts and tools are accounted for. Please retain these installation instructions for future reference and parts ordering information.



KIT CONTENTS

Ref	Qty	Part Description	Part Number
1	1	Phone Mount	1021186
2	1	Threaded Plate	5139604
3	1	Phone Mount Bracket	5259798
4	1	Hinge	5451051
5	2	Screw - M4X16	7517591
6	2	Screw - M4X10	7520230
7	2	Screw - M6X16	7520232
8	1	Phone Mount Cover	5451563
	1	Instructions	9925517

TOOLS NEEDED

5 mm Hex Key Socket
3 mm Hex Key Socket

Socket Extension
Torque Wrench

APPROXIMATE ASSEMBLY TIME

30 min

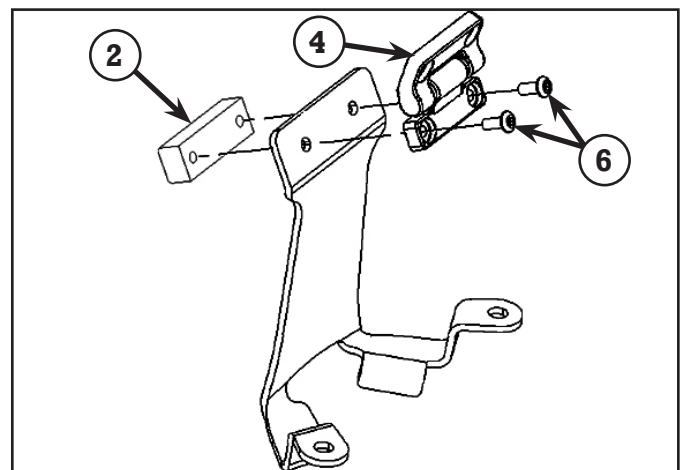
IMPORTANT

Your Indian PHONE MOUNT KIT is exclusively designed for your vehicle. Please read the installation instructions thoroughly before beginning. Installation is easier if the vehicle is clean and free of debris. For your safety, and to ensure a satisfactory installation, perform all installation steps correctly in the sequence shown.

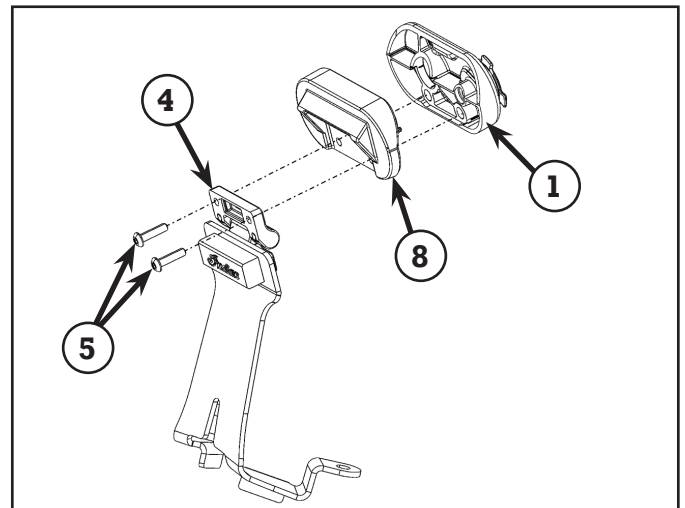
INSTALLATION INSTRUCTIONS

Installation

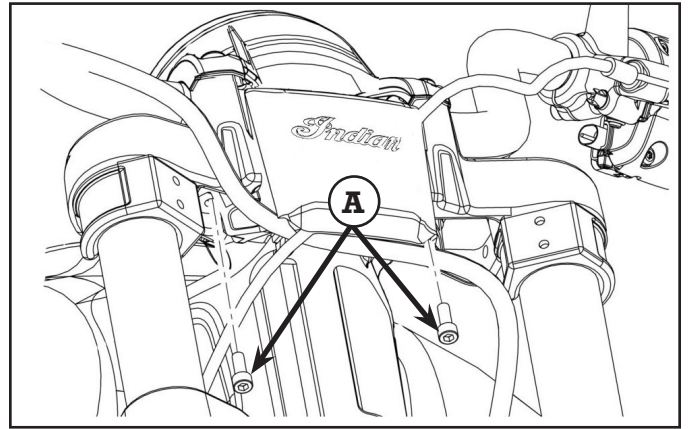
1. Install hinge (4) using two M4x10 fasteners (6) and the threaded plate (2). Note logo orientation at assembly. Torque the fasteners to 12 ± 2 in-lbs. (1.36 ± 0.23 Nm) as shown in figure.



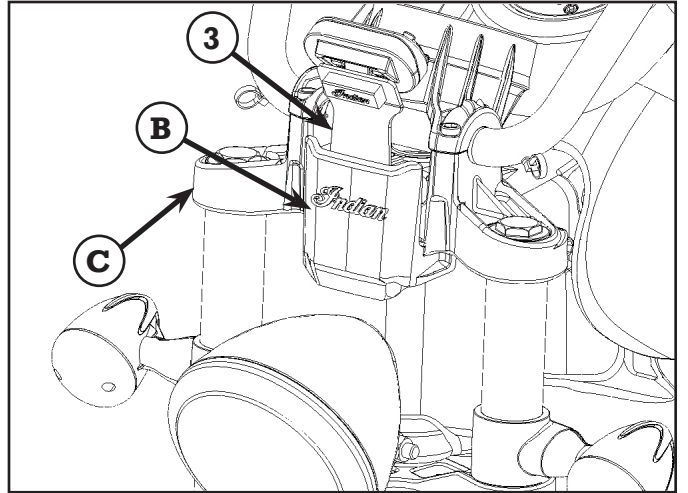
2. Assemble phone mount cover (8) and phone mount (1) to hinge (4) using two M4x16 fasteners (5). Torque the fasteners to 12 ± 2 in-lbs. (1.36 ± 0.23 Nm). See figure.



- Note component routing behind wire cover.
- If equipped, remove two M6 bolts (A) holding wire cover in place. Retain wire cover for reinstallation as shown in figure.

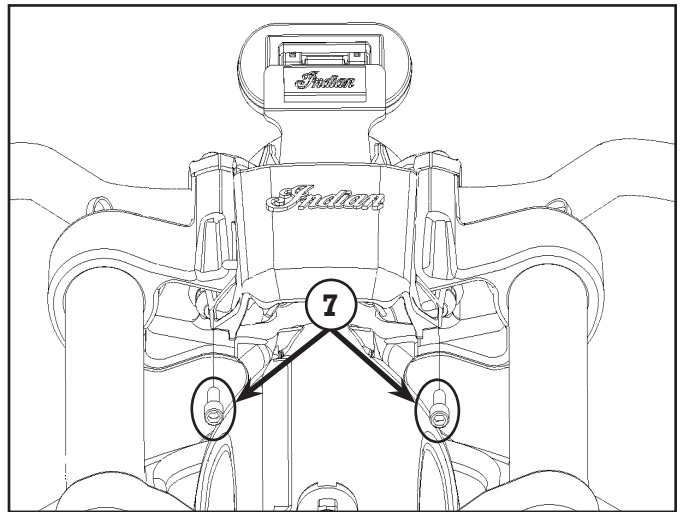


- Position phone mount bracket (3) between wire cover (B) and upper triple clamp (C) as shown in figure.



- Fasten wire cover and phone mount to vehicle using two M6X16 fasteners (7) provided in kit. Torque to 84 ± 8 in-lbs. (9.24 ± 0.88 Nm). See figure.

NOTE: Ensure wires and cables are not pinched during installation.



- Cycle handlebars to full left and right stops and verify no pinching or binding of components is present. Adjust if necessary.

NOTE: Compatible phone cases must be purchased separately to complete the installation.