

FRONT TURN SIGNAL KIT

P/N 2880726-266 (Gloss Black)

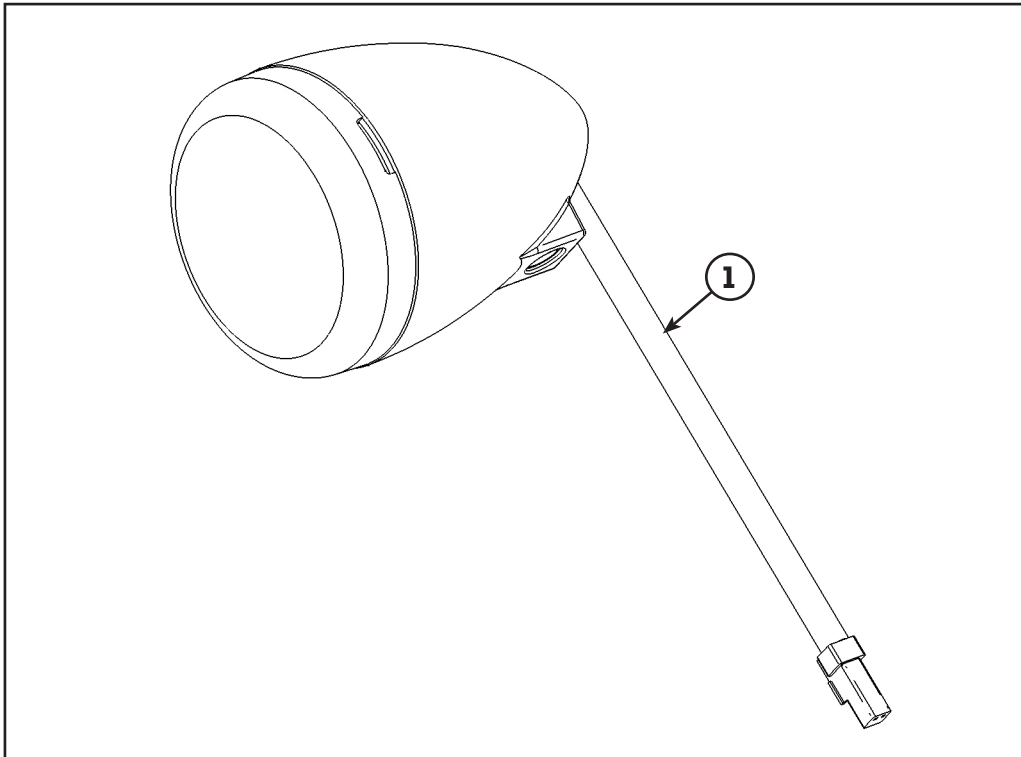


APPLICATION

2014-2015 INDIAN MOTORCYCLES WITH THUNDERSTROKE

BEFORE YOU BEGIN

Read these instructions and check to be sure all parts and tools are accounted for. Please retain these installation instructions for future reference and parts ordering information.



KIT CONTENTS

Ref	Qty	Part Description	Part Number
1	2	Signal-Turn, Front	2412298-266
	1	Instructions	9925618

TOOLS NEEDED

Socket Wrench Torque Wrench Socket Set

APPROXIMATE ASSEMBLY TIME

25 mins

IMPORTANT

Your Indian FRONT TURN SIGNAL KIT is exclusively designed for your vehicle. Please read the installation instructions thoroughly before beginning. Installation is easier if the vehicle is clean and free of debris. For your safety, and to ensure a satisfactory installation, perform all installation steps correctly in the sequence shown.

INSTALLATION INSTRUCTIONS

NOTE: Turn signals are LEDs and must be replaced as an assembly. Turn signal bulbs cannot be replaced independently.

Removal

Place the motorcycle in an upright position with the front wheel clamped in a wheel vise.

1. Locate turn signal connectors inside the nacelle and disconnect.

NOTE: To make enough room to reach the connector, six nacelle bolts (two on top and two on each side) may need to be removed.

2. Remove screws (B) and remove turn signal from bracket.

Installation

1. Reconnect electrical connectors from both RH and LH side. See Figure.



2. Reinstall the six nacelle bolts. Torque the top two bolts (A) to 36 in-lbs (4.1 Nm). See Figure. Torque the side bolts to 18 ft. lbs (24.4 Nm).



4. Attach signal (1) to bracket with screw (B). See Figure. Torque screw (B) to 18 in-lbs. (24.4 Nm).

