

PASSENGER FLOORBOARD MOUNTING KIT



P/N 2880288

APPLICATION

Verify accessory fitment at www.indianmotorcycle.com.

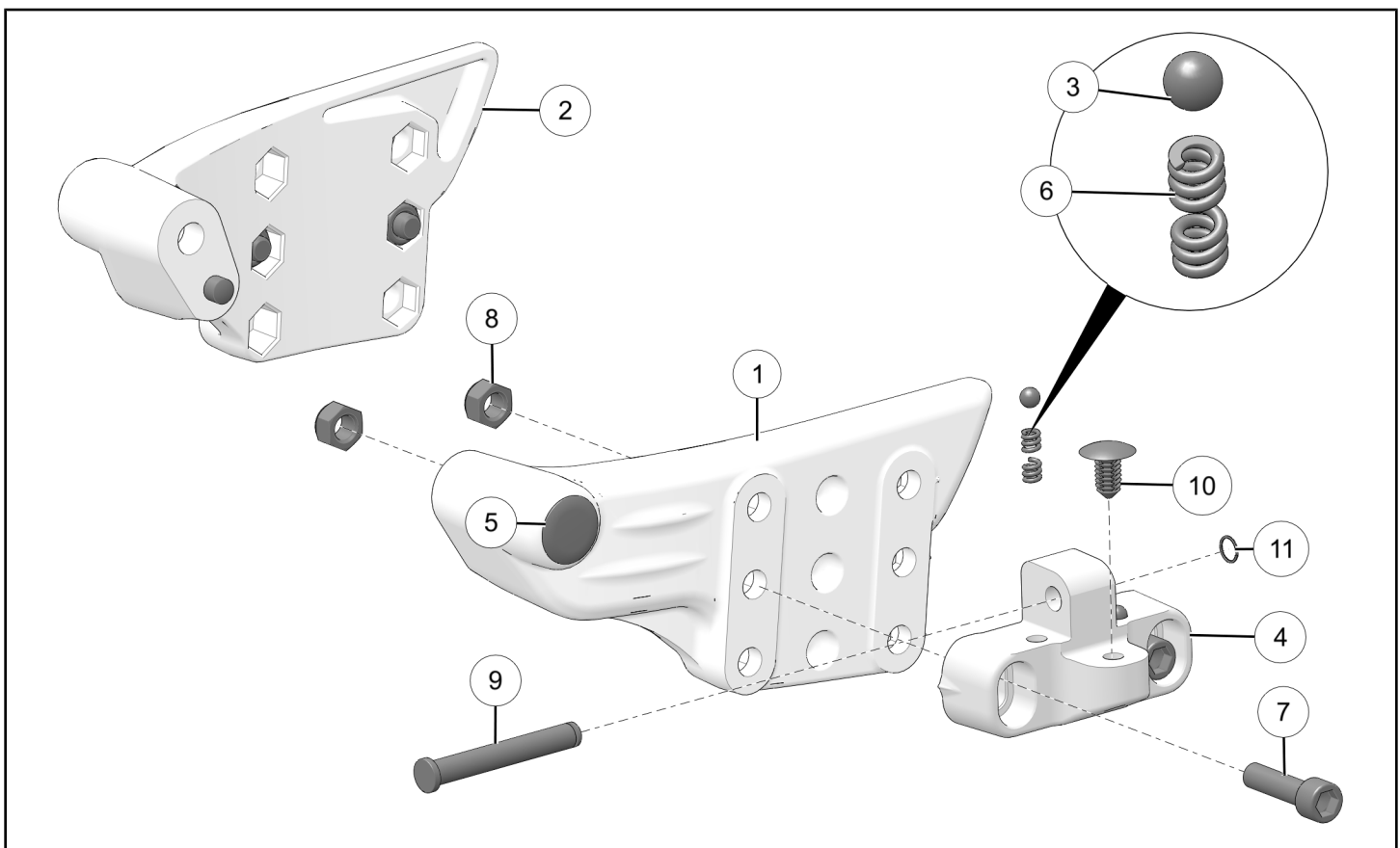
BEFORE YOU BEGIN

Read these instructions and check to be sure all parts and tools are accounted for. Please retain these installation instructions for future reference and parts ordering information.

REQUIRED SOLD SEPARATELY

Only parts for installation of the Indian Motorcycle® Passenger Floorboard Mounting Kit are included. For complete installation, an accessory passenger floorboard kit is also required (sold separately):

KIT CONTENTS



NOTICE

XXX = Indian Motorcycle® color code (For example: 266 = Black)

REF	QTY	PART DESCRIPTION	P/N AVAILABLE SEPARATELY
1	1	Assembly-Mount, Floorboard, Passenger, Left-Hand	1020121-XXX
2	1	Assembly-Mount, Floorboard, Passenger, Right-Hand	1020122-XXX
3	4	Ball-Floorboard, Detent	5133944

REF	QTY	PART DESCRIPTION	P/N AVAILABLE SEPARATELY
4	2	Mount–Floorboard, Pivot	5137789-XXX
5	2	Plug–Floorboard Mount	5415328
6	4	Spring–Compression	7042255
7	4	Screw–Socket Head , M8 x 1.25 mm x 30 mm	7517361
8	4	Nut–Nylon Locking, M8 x 1.25 mm	7547144
9	2	Pin–Pivot, Floorboard, 55 mm grip	7661979
10	2	Clip–Plastic Dart, Nylon	7670088
11	2	Ring–Retaining, Spiral	7710644

TOOLS REQUIRED

- Safety Glasses
- Hex Key Set, Metric
- Pliers, Retaining Ring
- Pliers, Needle Nose
- Pick and Hook Set
- Socket Set, Hex Bit, Metric
- Torque Wrench
- Wrench Set, Metric

CONSUMABLES REQUIRED

- Gloves, Chemical Resistant
- Grease, Polaris® All Season (or equivalent)

IMPORTANT

Your Indian Motorcycle® Passenger Floorboard Mounting Kit is exclusively designed for your vehicle. Please read the installation instructions thoroughly before beginning. Installation is easier if the vehicle is clean and free of debris. For your safety, and to ensure a satisfactory installation, perform all installation steps correctly in the sequence shown.

INSTALLATION INSTRUCTIONS

VEHICLE PREPARATION

GENERAL

1. Turn key or ignition switch to OFF position and remove key. If equipped with keyless fob, remove fob from proximity of vehicle.
2. Ensure motorcycle is parked on a flat surface, kickstand is fully extended, and vehicle is stable prior to installation.

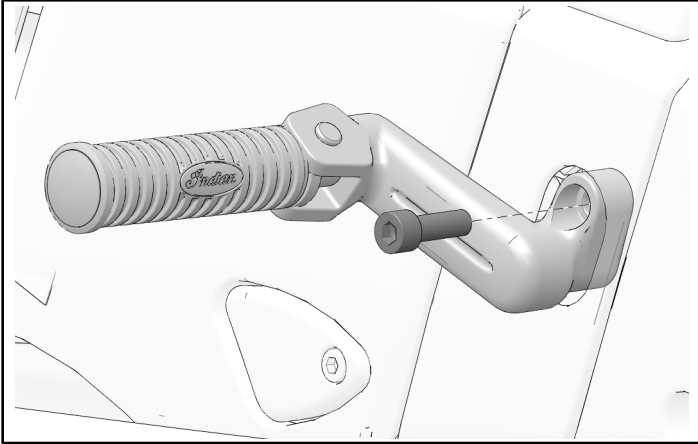
PASSENGER FOOT PEG / BLANK PREPARATION

PASSENGER FOOT PEG REMOVAL

NOTICE

Right foot peg shown; left foot peg similar.

1. Remove one fastener to remove passenger foot peg.

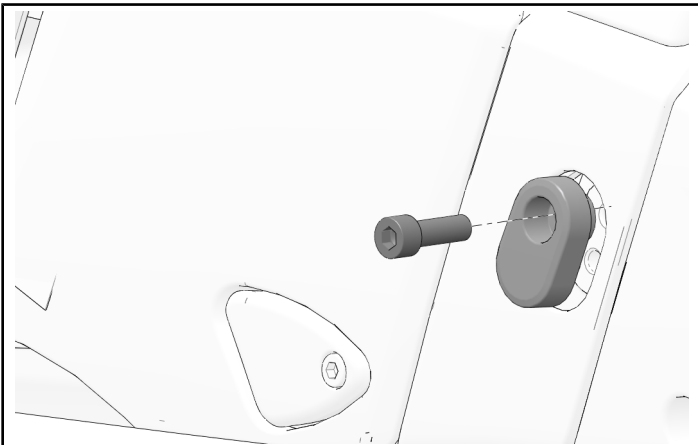


PASSENGER FOOT PEG BLANK REMOVAL

NOTICE

Right foot peg blank shown; left foot peg blank similar.

1. Remove one fastener to remove passenger foot peg blank.



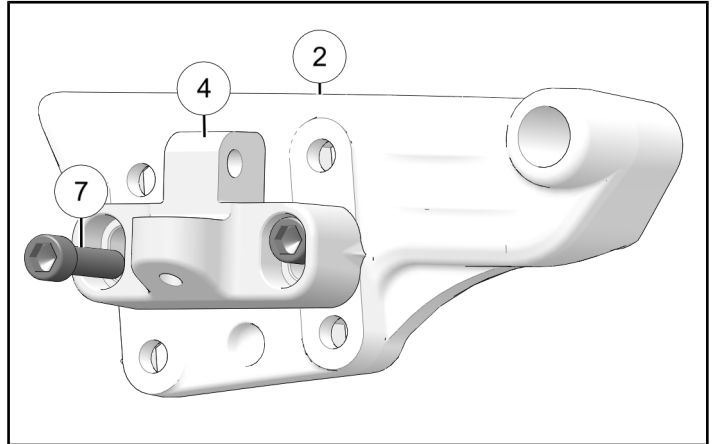
ACCESSORY INSTALLATION

NOTICE

Right floorboard mount shown; left floorboard mount similar.

MOUNT INSTALLATION

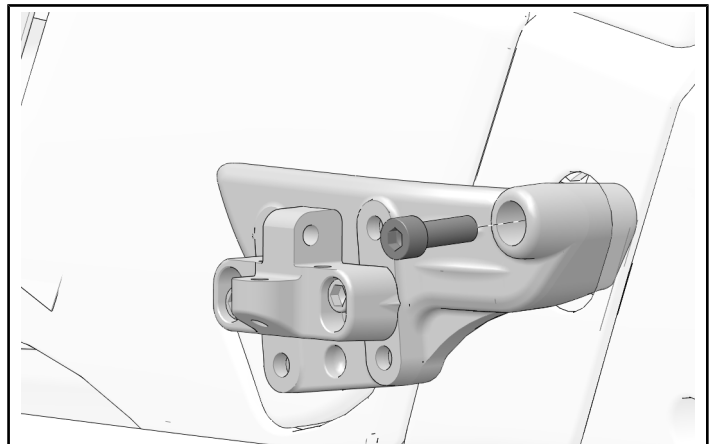
1. Loosely assembly pivot mount ④ to floorboard mount ② with two fasteners ⑦.



2. Install mount assembly with one retained fastener.

TORQUE

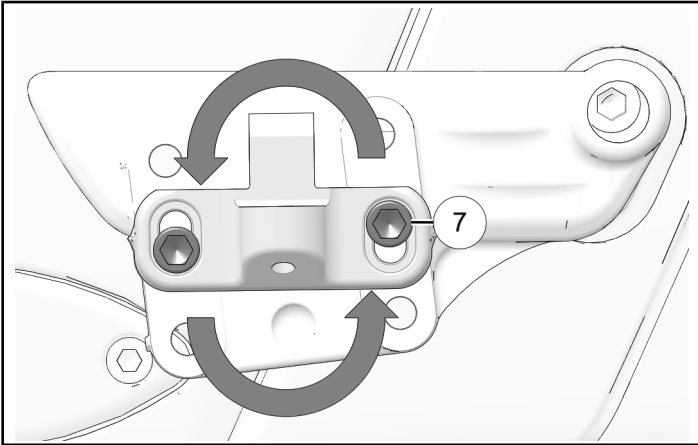
Foot Peg Fastener:
35 ft-lbs (48 N·m)



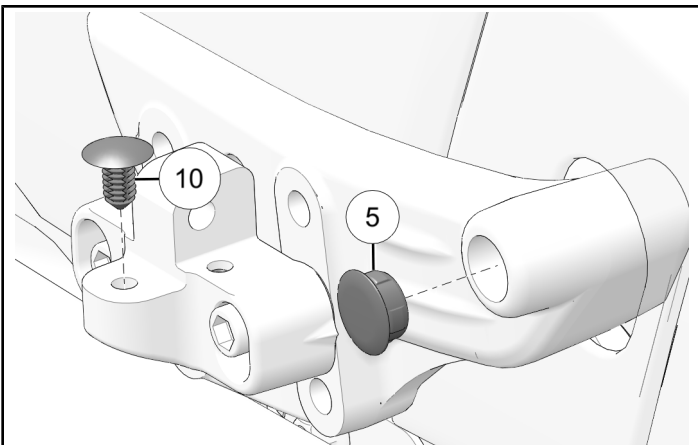
- Adjust pivot mount to desired position and tighten two pivot mount fasteners ⑦.

TORQUE

Pivot Mount Fasteners ⑦:
18 ft-lbs (24 N·m)

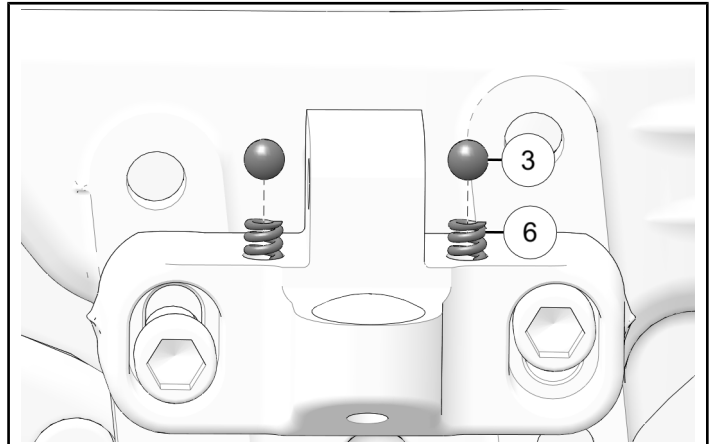


- Install plug ⑤ and plastic clip ⑩, as shown.

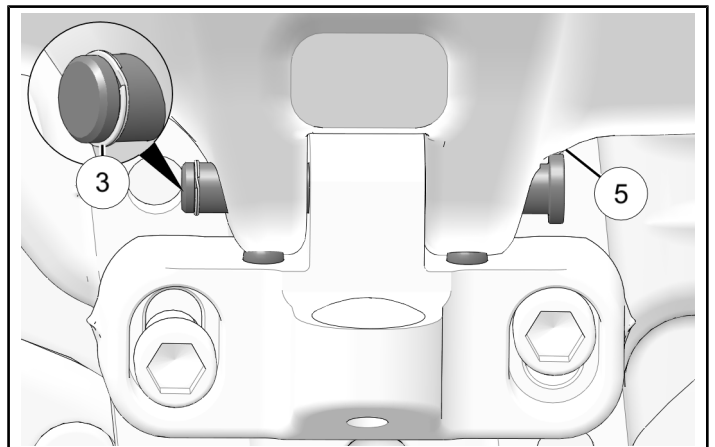


FLOORBOARD INSTALLATION

- Lightly coat each compression spring ⑥ with grease and insert spring into pivot mount. Place one ball ③ on top of each spring.



- Align accessory floorboard (sold separately) with pivot mount and pass pin ⑤ through floorboard and mount. Secure pin with retaining ring ⑪.



FEEDBACK FORM

A feedback form has been created for the installer to provide any comments, questions or concerns about the installation instructions. The form is viewable on mobile devices by scanning the QR code or by clicking [HERE](#) if viewing on a PC.

