

FAIRING BAG KIT



P/N 2884678

BEFORE YOU BEGIN

Read these instructions and check to be sure all parts and tools are accounted for. Please retain these installation instructions for future reference and parts ordering information.

APPLICATION

Verify accessory fitment at www.indianmotorcycle.com.

REQUIRED SOLD SEPARATELY

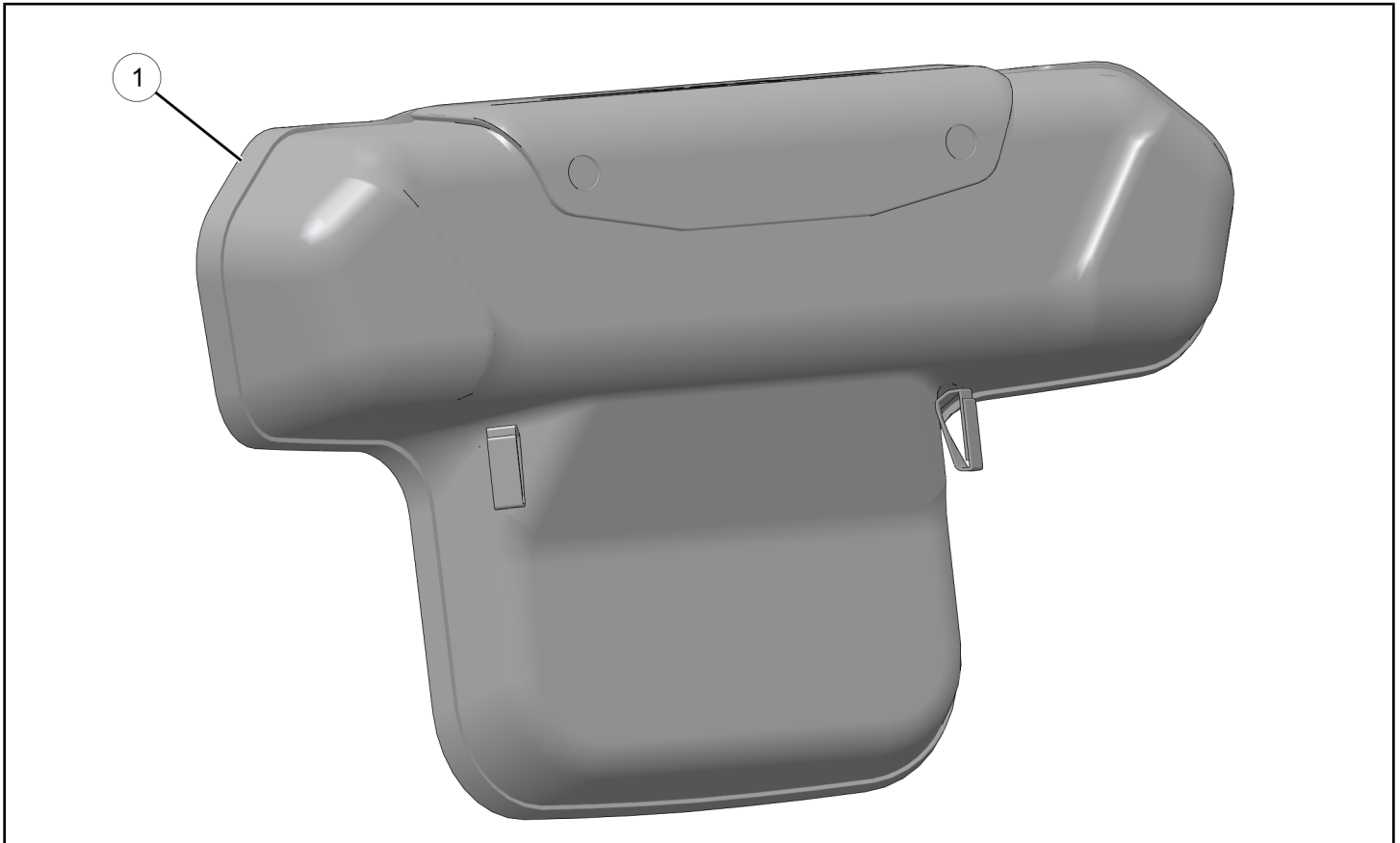
Only parts for installation of the Indian Motorcycle® Fairing Bag Kit are included. Prior installation of the following additional kits is also required (sold separately):

- *Quick Release Fairing Kit*, P/N 2884116-XXX

NOTICE

XXX = Indian Motorcycle® color code (For example: 266 = Black)

KIT CONTENTS



REF	QTY	PART DESCRIPTION	P/N AVAILABLE SEPARATELY
1	1	Bag, Fairing	n/a

TOOLS REQUIRED

None

IMPORTANT

Your Indian Motorcycle® Fairing Bag Kit is exclusively designed for your vehicle. Please read the installation instructions thoroughly before beginning. Installation is easier if the vehicle is clean and free of debris. For your safety, and to ensure a satisfactory installation, perform all installation steps correctly in the sequence shown.

INSTALLATION INSTRUCTIONS

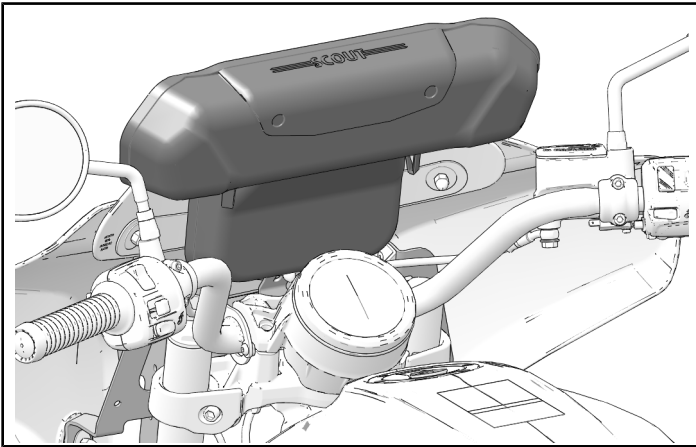
VEHICLE PREPARATION

GENERAL

1. Turn key to **OFF** position and remove from vehicle.
2. Park motorcycle on a flat surface, fully extend kickstand, and make sure vehicle is stable prior to installation.

ACCESSORY INSTALLATION

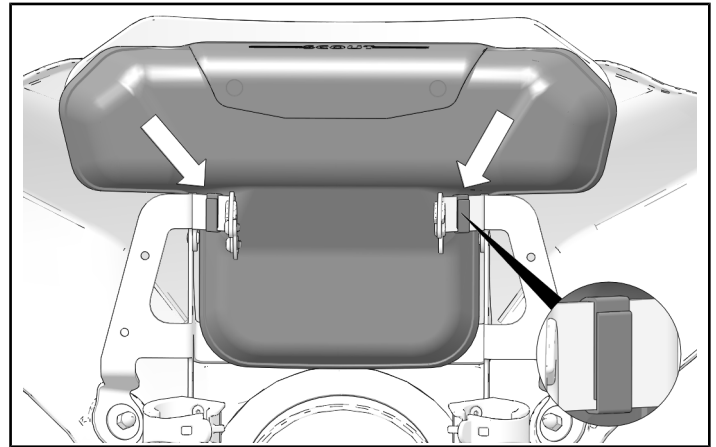
1. Install fairing bag into mini fairing bracket between fairing and handlebars.



2. Attach bag with hook and loop straps around fairing bracket as shown.

NOTICE

Motorcycle hidden for image clarity



INSTRUCTION FEEDBACK FORM

A feedback form has been created for the installer to provide any comments, questions or concerns about the installation instructions. The form is viewable on mobile devices by scanning the QR code or by clicking [HERE](#) if viewing on a PC.

