

# ONE-PIECE SEAT KIT



P/N MULTIPLE

## APPLICATION

Verify accessory fitment at [www.indianmotorcycle.com](http://www.indianmotorcycle.com).

### IMPORTANT

Extended Reach Seat Kit (PN 2883664-XXX) cannot be used with Rider Backrest Pad Kit (PN 2879542-XXX)

## BEFORE YOU BEGIN

Read these instructions and check to be sure all parts and tools are accounted for. Please retain these installation instructions for future reference and parts ordering information.

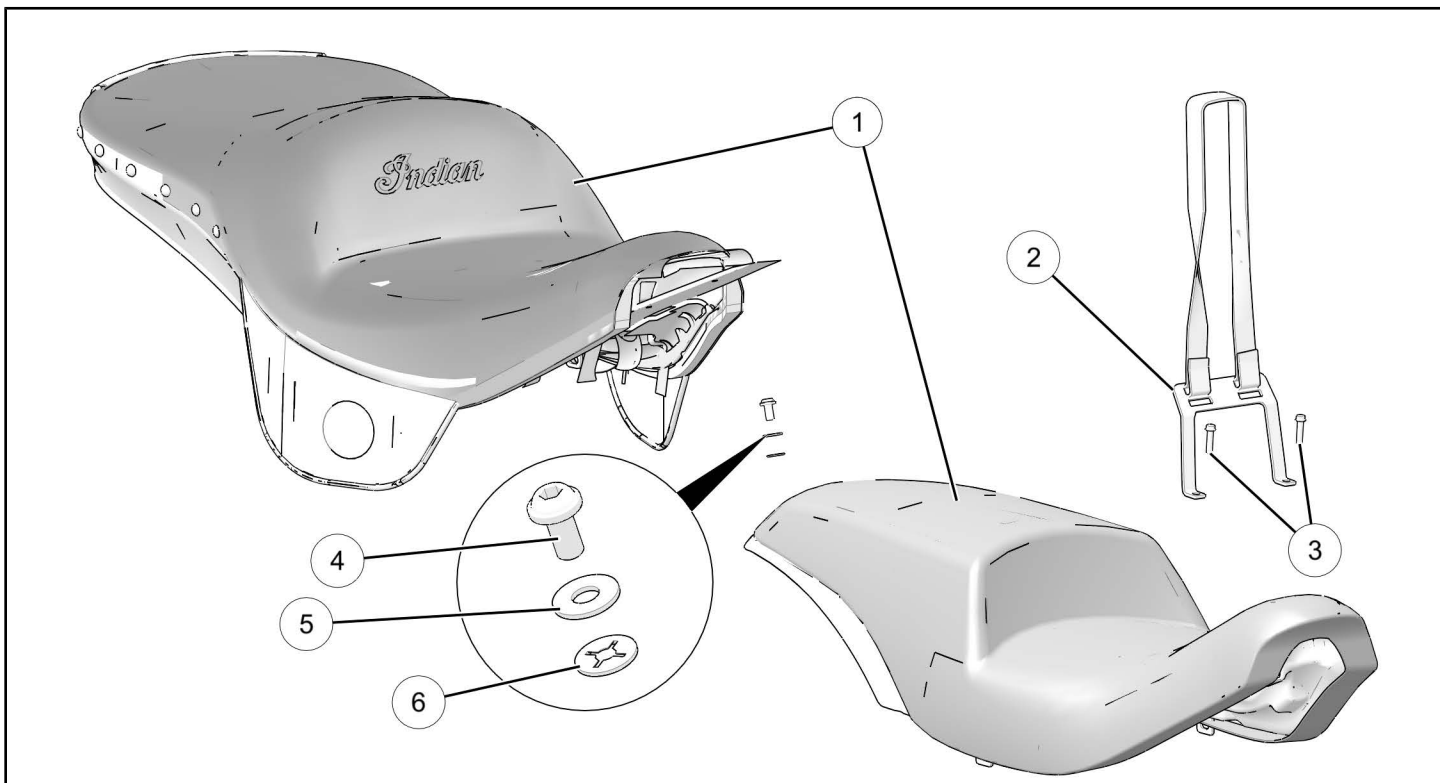
## REQUIRED SOLD SEPARATELY

**Model Year 2019+ Chieftain without trunk ONLY**

Only parts for installation of the Indian Motorcycle® One-Piece Seat Kit are included. For complete installation, the following additional kit is required (sold separately):

- *One-Piece Seat Harness*, P/N 2415036

## KIT CONTENTS



### NOTE

XXX = Indian® color code (For example: 266 = Black)

REF	QTY	PART DESCRIPTION	PART NUMBER
1	1	Seat Assembly	-
2	1	Strap, Seat, Passenger, Black Strap, Seat, Passenger, Tan	2685823-01 2687451-05
3	2	Screw, Hex Flange Head, M6 X 1.0 X 25	7519297
4	1	Screw, Hex Button Head, M8 X 1.25 X 16	7520456
5	1	Washer, 8.4 X 20 X 1.6	7556969
6	1	Washer, M8 X 18.3 X 1.3, Self-Retaining, Nylon, Black	7556884

## TOOLS REQUIRED

- Safety Glasses
- Socket Set, Metric
- Socket Set, Hex Bit, Metric
- Torque Wrench

## IMPORTANT

Your Indian Motorcycle® One-Piece Seat Kit is exclusively designed for your vehicle. Please read the installation instructions thoroughly before beginning. Installation is easier if the vehicle is clean and free of debris. For your safety, and to ensure a satisfactory installation, perform all installation steps correctly in the sequence shown.

## INSTALLATION INSTRUCTIONS

### VEHICLE PREPARATION

#### GENERAL

1. Turn key or ignition switch to **OFF** position and remove key. If equipped with keyless fob, remove fob from proximity of vehicle.
2. Ensure motorcycle is parked on a flat surface, kickstand is fully extended, and vehicle is stable prior to installation.
3. If equipped, remove trunk as per owner's manual and store in a safe location.
4. Remove stock seat as per owner's manual procedure and retain all screws.

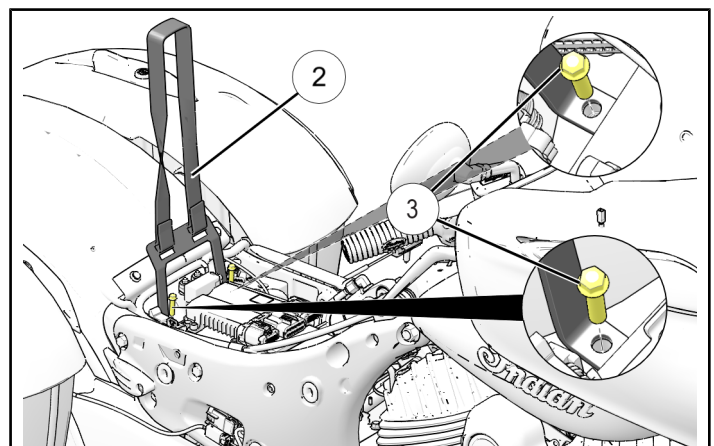
### SEAT INSTALLATION

#### SEAT STRAP INSTALLATION

1. Install seat strap ② using two screws ③. Torque screws to specification.

#### TORQUE

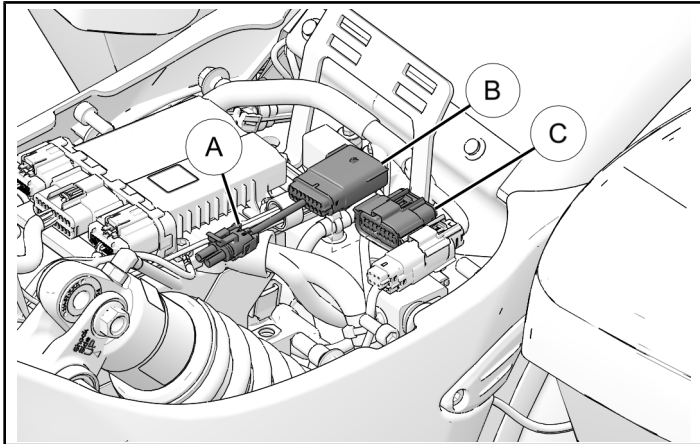
Seat Strap Screw ③:  
**90 in-lbs (10 N·m)**



## HEATED SEAT ELECTRICAL INSTALLATION

If seat is not heated, skip to next section.

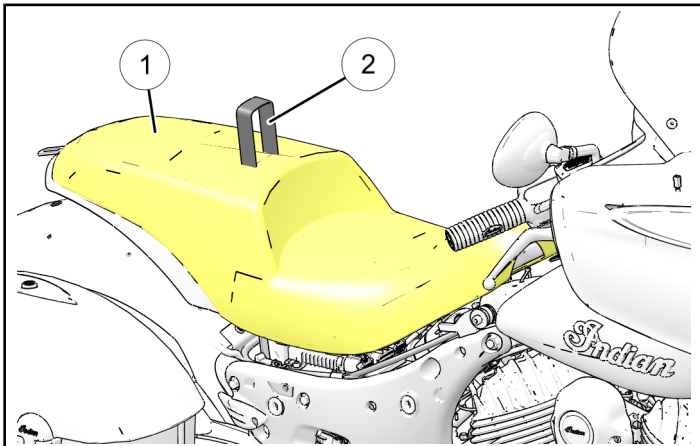
1. Connect electrical wires between seat and motorcycle. Plug harness connector (B) into open connector (C). Connector (C) can be found under seat near rear of seating area. Plug connector from heated seat into connector (A).



2. Carefully position wires so they will not be pinched when installing seat.

## SEAT INSTALLATION

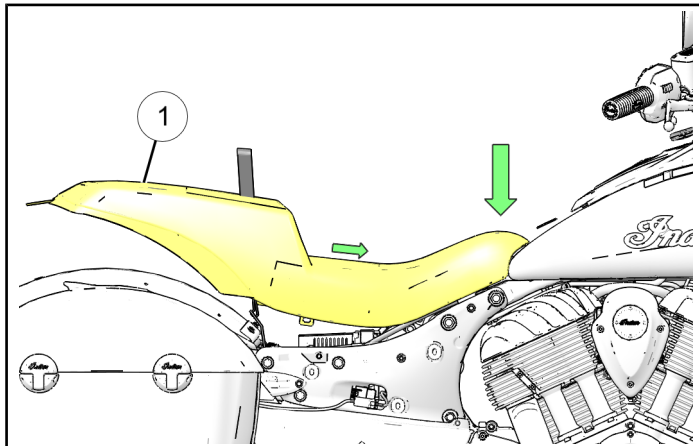
1. Route seat strap (2) through slot in seat from bottom of seat so it comes through top of seat (1).



2. Place seat onto motorcycle approximately 1.5 inches (3.8 cm) to rear of mounted position. Press down at nose of seat and slide forward to engage frame tabs. Pull up on front of seat to ensure tabs are engaged.

### IMPORTANT

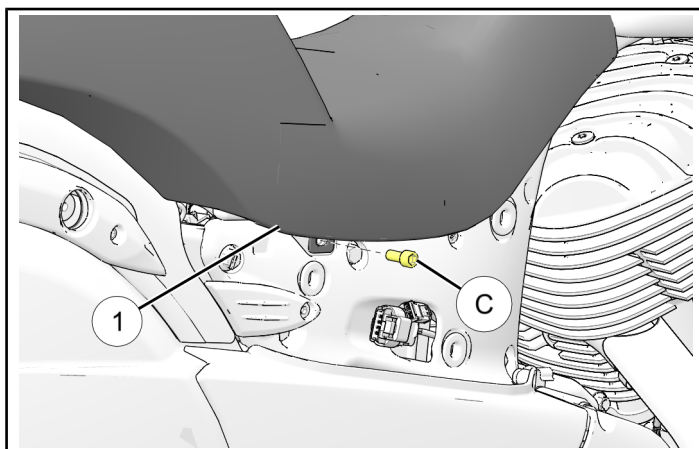
Seat front should be secure to motorcycle.



3. Install retained screws (C) (removed when removing seat) to attach seat to frame. Torque screws to specification.

### TORQUE

Seat Screw (C):  
18 ft-lbs (24 N·m)



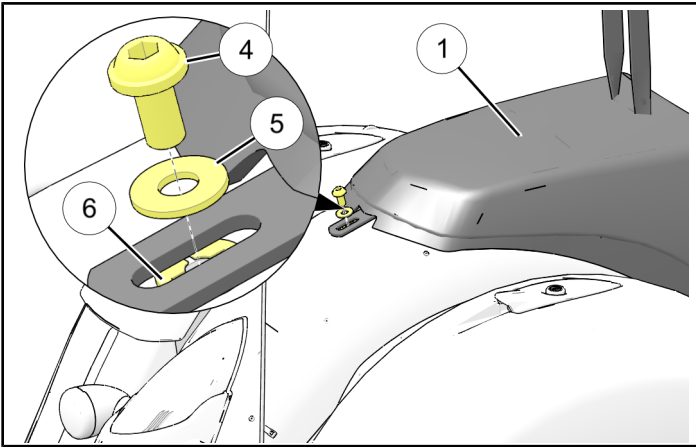
4. Install rear seat mounting screw ④, and washers ⑤ and ⑥. Torque screw to specification.

#### NOTE

Plastic washer ⑥ is installed **between** fender and metal tab.

#### TORQUE

Rear Seat Mounting Screw ④:  
**90 in-lbs (10 N·m)**



5. Reinstall side covers (removed with seat) by aligning tabs and firmly pressing into place.

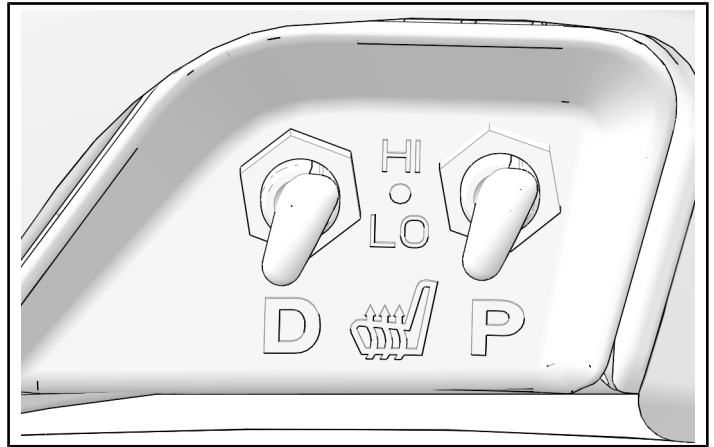
## HEATED SEAT OPERATING INSTRUCTIONS

Switches are located on left hand side of seat. Front switch is for driver seat, rear switch is for passenger seat.

Three settings are available:

- Top Position: **High**
- Center Position: **Off**
- Lower Position: **Low**

Choose setting which allows for maximum comfort.



#### ⚠ WARNING

Seat must be properly installed for safe operation of motorcycle. Failure to ensure proper installation may lead to loss of control and result in serious injury or death.

#### NOTE

See owner's manual for seat care instructions.

## FEEDBACK FORM

A feedback form has been created for the installer to provide any comments, questions or concerns about the installation instructions. The form is viewable on mobile devices by scanning the QR code or by clicking [HERE](#) if viewing on a PC.

