

POWERBAND™ AUDIO 5 ¼" AND QUICK RELEASE TRUNK AMPLIFIED SPEAKER KIT



P/N 2883926; 2883927; 2889057

BEFORE YOU BEGIN

Read these instructions and check to be sure all parts and tools are accounted for. Please retain these installation instructions for future reference and parts ordering information.

APPLICATION

Verify accessory fitment at www.indianmotorcycle.com.

FITMENT TABLE

NOTICE		
XXX = Indian Motorcycle® color code (For example: 266 = Black)		
MODEL	UPGRADE	KIT REQUIRED
Chieftain® and Chieftain® Classic	Fairing Speakers	Powerband Audio™ 5¼" Amplified Speaker Kit P/N 2883926
	Trunk Speakers (with Accessory Trunk Kit P/N 2884046-XXX)	Powerband Audio™ Quick Release Trunk Amplified Speaker Kit P/N 2883927 or 2889057
Roadmaster®	Fairing Speakers	Powerband Audio™ 5¼" Amplified Speaker Kit P/N 2883926
	Trunk Speakers	Powerband Audio™ 5¼" Amplified Speaker Kit P/N 2883926
Challenger	Trunk Speaker (with Accessory Trunk Kit P/N 2884046-XXX)	Powerband Audio™ Quick Release Trunk Amplified Speaker Kit P/N 2889057

(Kit PN 2883927 fits model year 2019 and later Chieftain, Chieftain Classic, and Roadmaster. Kit PN 2889057 fits all models 2019 and later.)

REQUIRED SOLD SEPARATELY

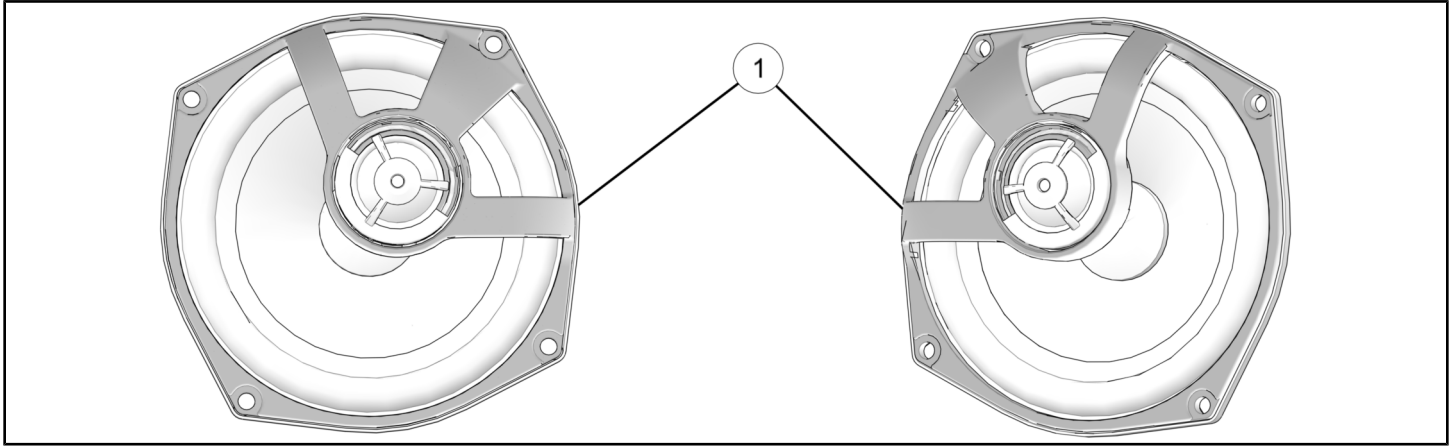
The Indian Powerband™ Audio 5 ¼" Amplified Speaker Kit and Indian Powerband™ Audio Quick Release Trunk Amplified Speaker Kit contains parts for installation of the Indian Powerband™ Audio 5 ¼" Amplified Speaker Kit and Indian Powerband™ Audio Quick Release Trunk Amplified Speaker Kit only. For installation of trunk speakers, prior installation of the following additional kits is also required (sold separately):

- Quick Release Trunk Kit, PN 2884046-XXX
- Trunk Installation Kit- See table for P/N

MOTORCYCLE	TRUNK INSTALLATION KIT P/N
2014-2018 Chieftain® and Springfield	2884008
2019+ Cheiftain® and Springfield	2884007
2020+ Challenger	2889065

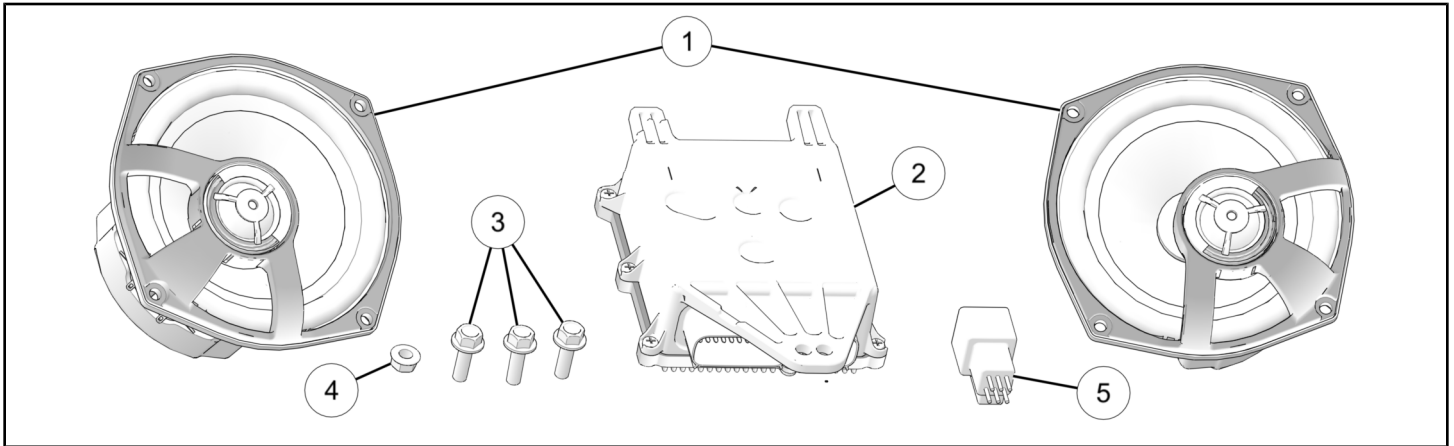
KIT CONTENTS

POWERBAND AUDIO 5 1/4 IN. AMPLIFIED SPEAKER KIT P/N 2883926



REF	QTY	PART DESCRIPTION	P/N AVAILABLE SEPARATELY
1	2	Speaker, 5.25 in., 100W	4017740

POWERBAND AUDIO 5 1/4 IN. QUICK RELEASE TRUNK AMPLIFIED SPEAKER KIT P/N 2883927; 2889057



REF	QTY	PART DESCRIPTION	P/N AVAILABLE SEPARATELY
1	2	Speaker, 5.25 in., 100W	4017740
2	1	Module, Power Supply, DSP, 4 Channel (Kit P/N 2883927) Module, Power Supply, DSP, 4 Channel (Kit P/N 2889057)	4017736 2414625
3	3	Screw, Hex Flange Head, M6 X 1.0 X 20	7518141
4	1	Nut, Hex Flange, M6 X 1.0	7710495
5	1	Assembly, Connector Cap, 6-pin (Not Used)	4018421

TOOLS REQUIRED

- Safety Glasses
- Socket Set, Hex Bit, Metric
- Socket Set, Metric
- Socket Set, Torx® Bit

- Torque Wrench
- **Special Service Tool:**

- Non-marring Pry Tool, P/N 5456907 (or equivalent)

IMPORTANT

Your Indian Motorcycle® Powerband™ Audio 5 ¼” and Quick Release Trunk Amplified Speaker Kit is exclusively designed for your vehicle. Please read the installation instructions thoroughly before beginning. Installation is easier if the vehicle is clean and free of debris. For your safety, and to ensure a satisfactory installation, perform all installation steps correctly in the sequence shown.

INSTALLATION INSTRUCTIONS

VEHICLE PREPARATION

GENERAL

1. Turn key or ignition switch to **OFF** position and remove key. If equipped with keyless fob, remove fob from proximity of vehicle.
2. Park motorcycle on a flat surface, fully extend kickstand, and make sure vehicle is stable prior to installation.

FAIRING SPEAKER INSTALLATION

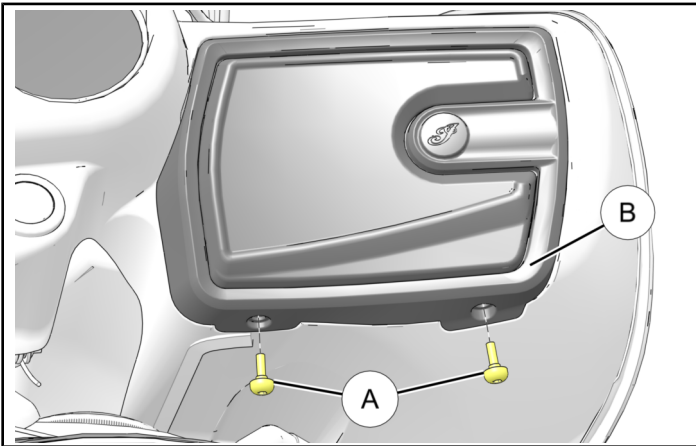
NOTICE

This section is for Chieftain®, Chieftain® Classic, and Roadmaster® motorcycles ONLY. For Challenger motorcycles, skip ahead to “Trunk Speaker Installation” section.

REMOVE SPEAKER GRILL

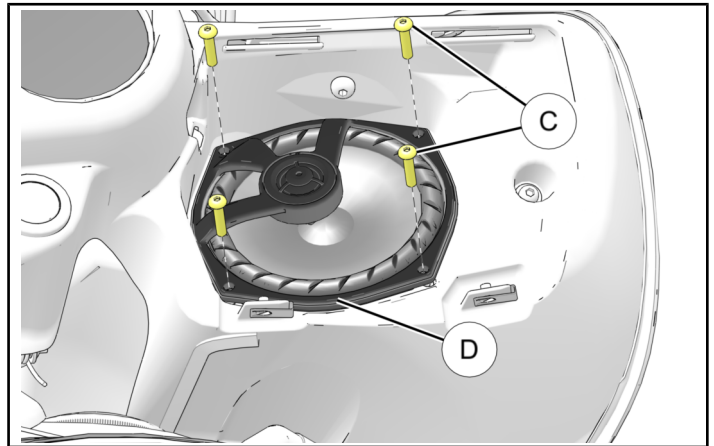
FORK MOUNTED FAIRING MOTORCYCLES

- Remove and keep two screws (A) and grill cover (B) from fairing.

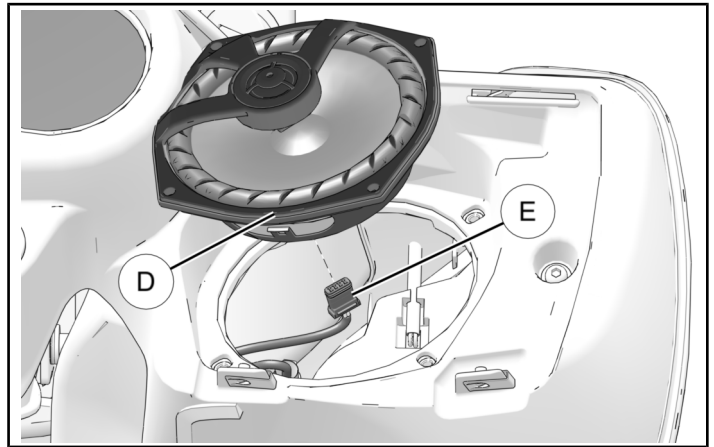


REPLACE FAIRING SPEAKER

1. Remove and keep four screws (C) from fairing speaker (D).



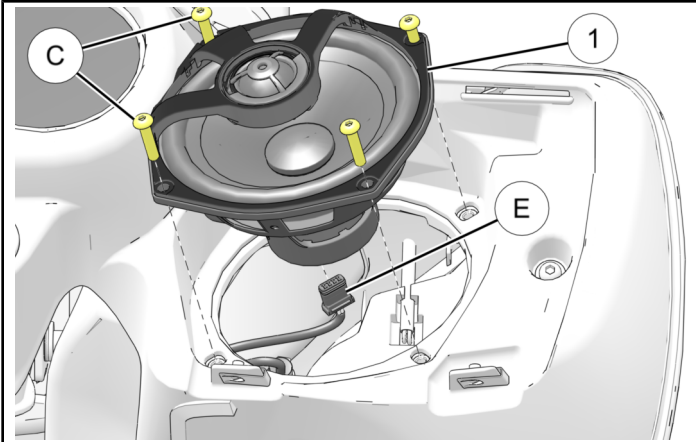
2. Lift out speaker (D) and unplug electrical connector (E). Discard speaker.



3. Connect electrical connector (E) to new speaker (1). Install speaker (1) into fairing and secure with four retained screws (C). Torque screws (C) to specification.

TORQUE

Speaker Screw (C):
15 in-lbs (1.7 N·m)



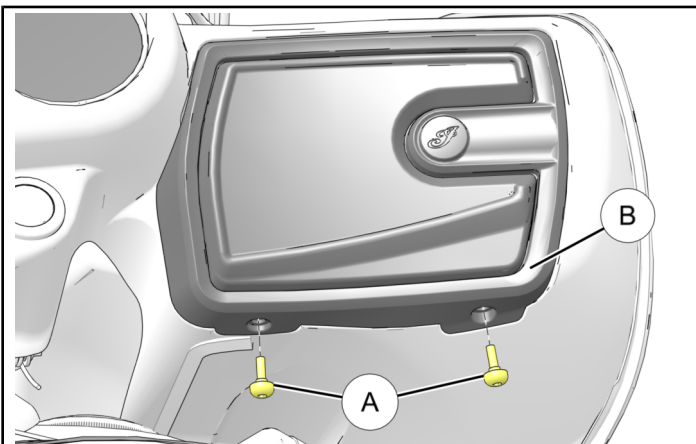
INSTALL SPEAKER GRILL

FORK MOUNTED FAIRING MOTORCYCLES

- Reinstall retained grill cover (B) and secure with two retained screws (A). Torque screws to specification.

TORQUE

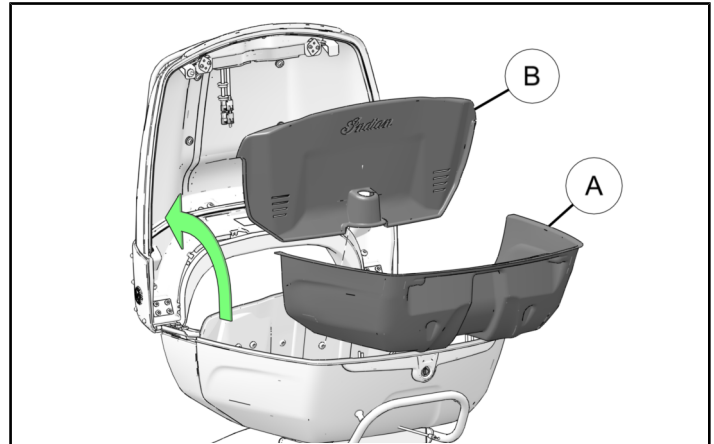
Speaker Grill Cover Screw (A):
36 in-lbs (4 N·m)



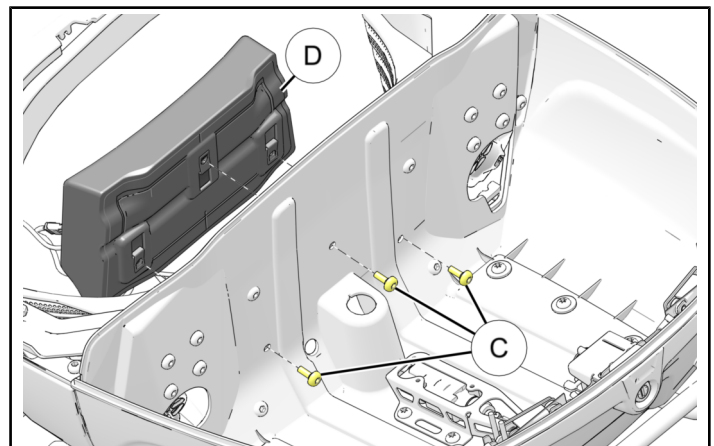
4. Repeat for opposite side speaker.

TRUNK SPEAKER INSTALLATION

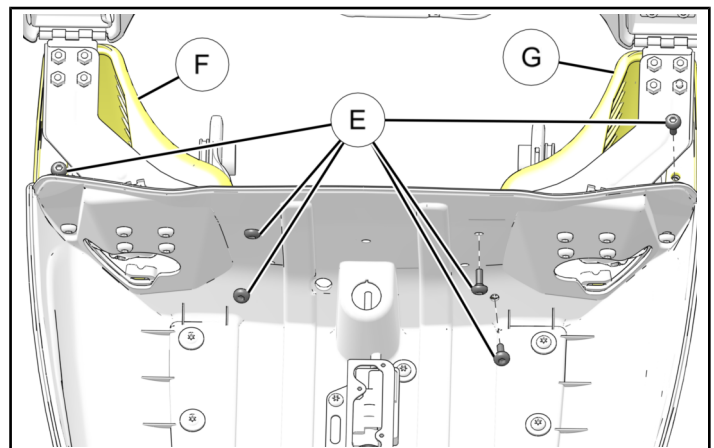
1. Open trunk lid. Empty contents of trunk. Remove and set aside trunk liners (A) and (B).



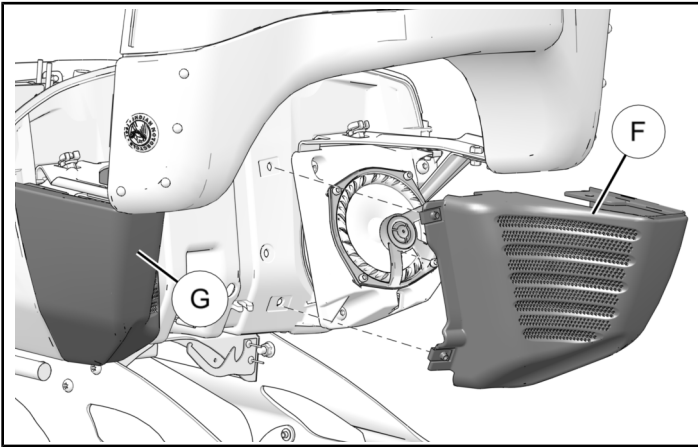
2. Remove and keep three screws (C) and lower backrest piece (D).



3. Remove and keep six screws (E) from Left (F) and right (G) speaker grills.



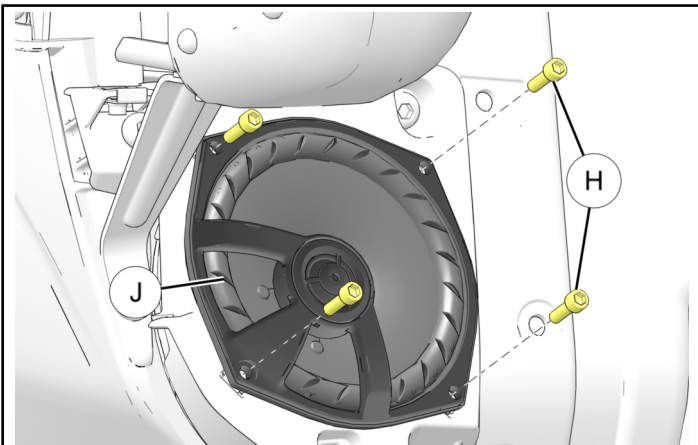
4. Carefully remove left (F) and right (G) speaker grills and set aside.



5. Follow corresponding step for your motorcycle.

- **Roadmaster® and speaker equipped trunks:**

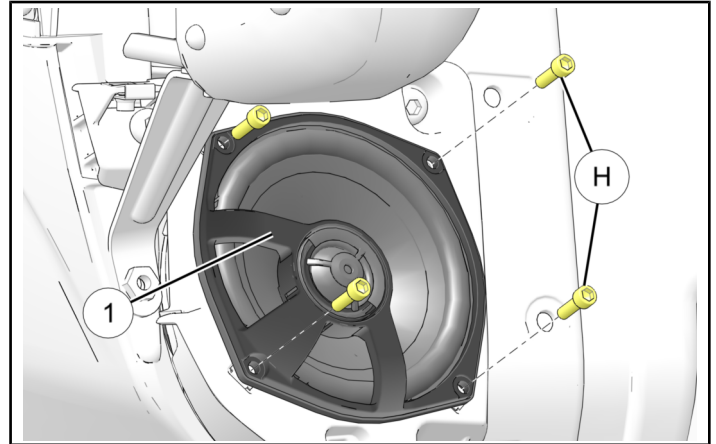
- a. Remove and keep four screws (H) from each speaker (I) and remove speakers. Carefully unplug speaker connectors.



- b. Connect electrical connectors to new speakers (I) and set in place. Secure speakers using retained screws (H). Torque fasteners to specification.

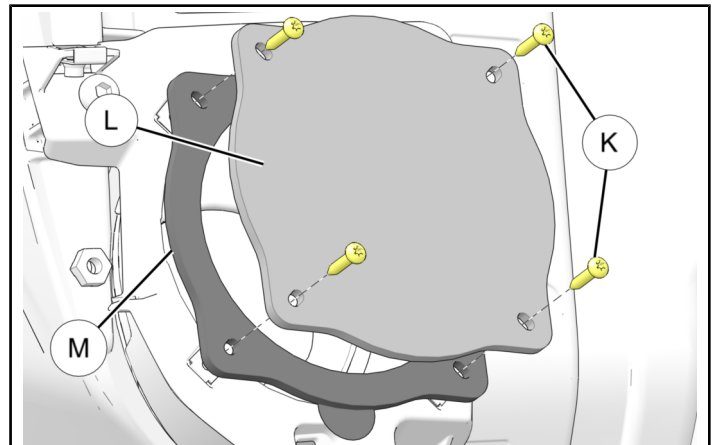
TORQUE

Socket Head Screw (H):
15 in-lbs (1.7 N·m)



- **Accessory trunks (no speakers installed):**

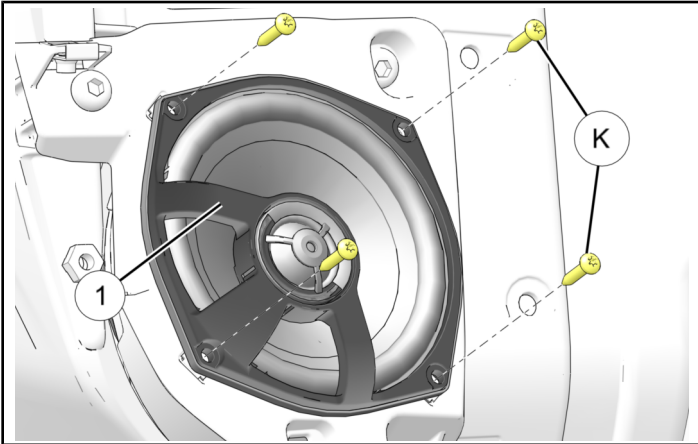
- a. Remove and keep four screws (K) from each cover (L) and remove covers (L) and rubber seals (M).



- b. Connect electrical connectors to new speakers ① and set in place. Secure speakers using retained screws ⑫. Torque fasteners to specification.

TORQUE

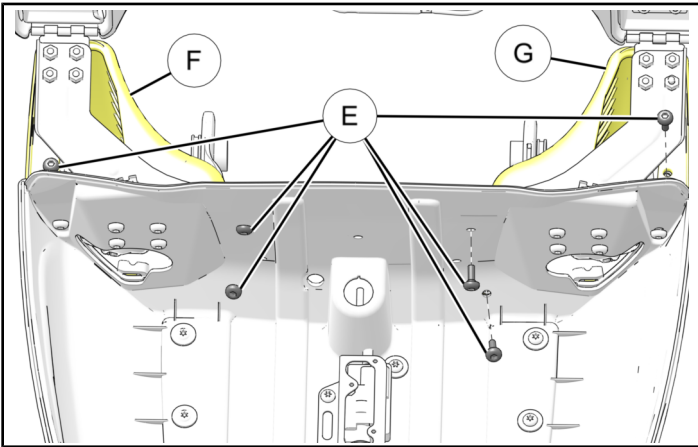
Torx® head screw ⑫:
15 in-lbs (1.7 N·m)



Install speaker grills ⑥ and ⑦ and secure with six retained fasteners ⑤. Torque fasteners to specification.

TORQUE

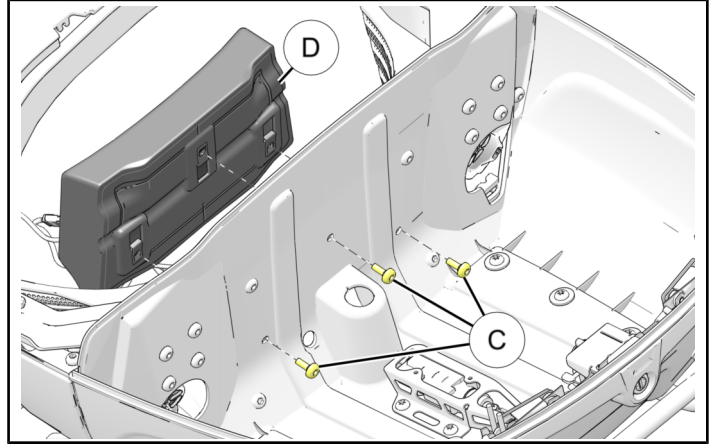
Trunk Speaker Grill Screws ⑤:
36 in-lbs (4 N·m)



6. Install lower backrest piece ④ with three retained screws ③. Torque screws to specification.

TORQUE

Trunk Backrest Pad Screws ③:
36 in-lbs (4 N·m)



7. Install trunk liner ⑧ and then trunk liner ⑨.

INSTALL POWER SUPPLY MODULE FORK MOUNTED FAIRING

IMPORTANT

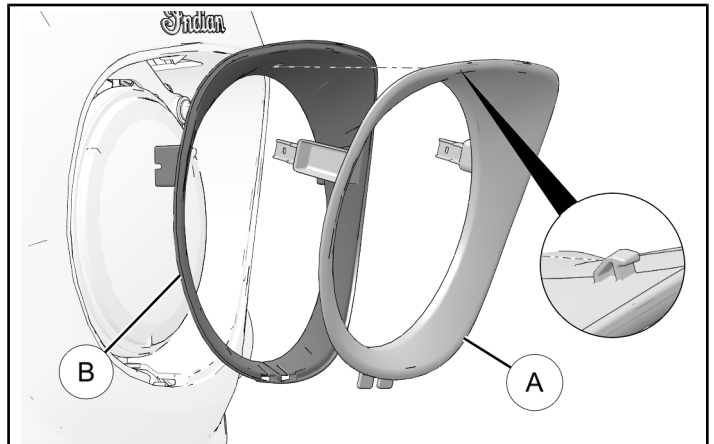
This section applies to motorcycles with the accessory trunk kit **ONLY**

HEADLIGHT ASSEMBLY REMOVAL

REMOVE HEADLIGHT BEZEL

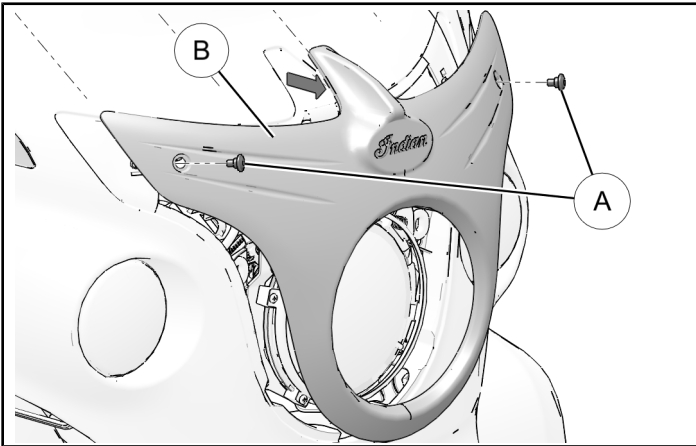
Chieftain® Fairing:

- Using a small non-marring tool, pry down at the top center of headlight trim ① to release tab, pull headlight trim ① and rubber surround ② from fairing and carefully set aside.



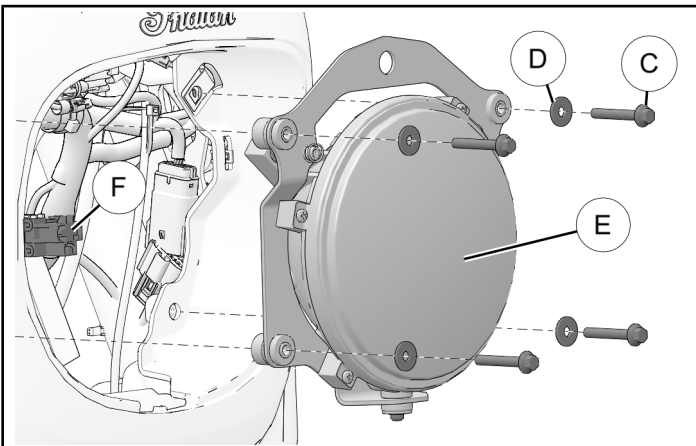
Classic Fairing:

- Remove and keep two screws (A), grip upper edge and carefully pull trim piece (B) from fairing.



REMOVE HEADLIGHT BRACKET

1. Remove and keep four screws (C) and washers (D) from headlight assembly frame (E) and remove headlight assembly. Disconnect headlight connector (F) from headlight. Carefully set assembly aside.

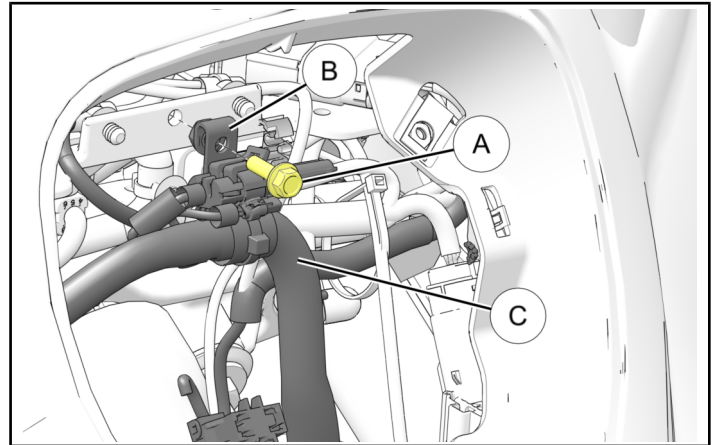


INSTALL POWER SUPPLY MODULE

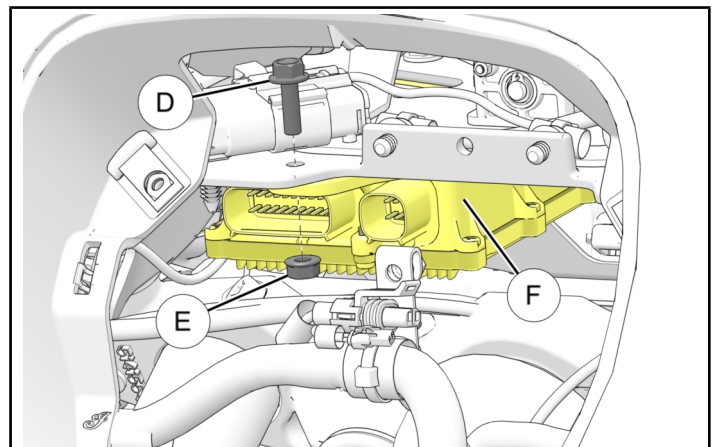
NOTICE

Fairing and Trunk Audio are powered by power supply in RH side (from rider's perspective) of fairing bracket. LH side of bracket is reserved for saddlebag audio power supply.

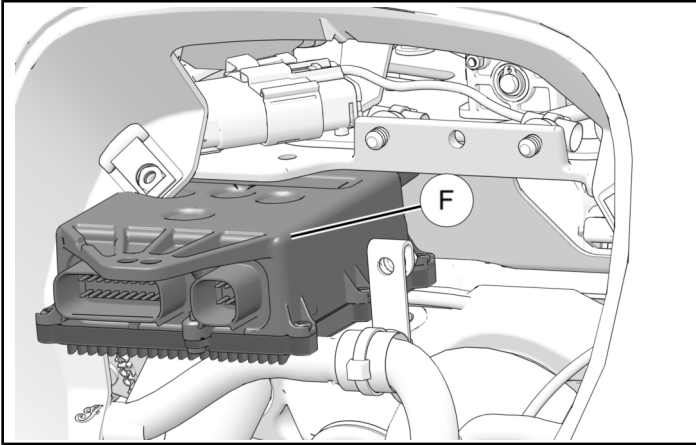
1. Remove and discard bolt (A). Pull bracket (B) and harness (C) away to access amplifier mount.



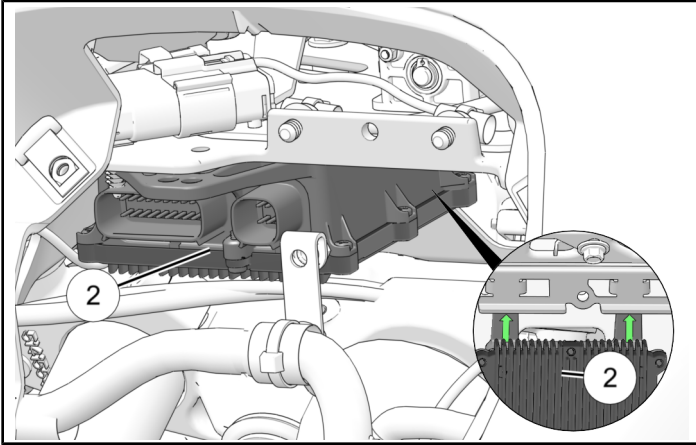
2. Unplug electrical connectors and remove and retain bolt (D) and nut (E) from power supply module (F).



3. Remove power supply module **F** from RH fairing bracket.



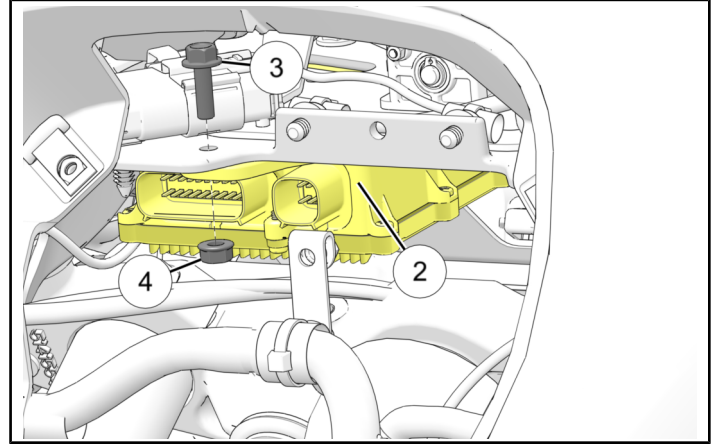
4. Install new power control module **2** into RH fairing bracket in place of removed module. Make sure two tabs slide into bracket as shown. Plug in two connectors into module. Press connectors onto module until a “click” is heard.



5. Attach new power supply module **2** with new screw **3** and nut **4**. Torque fastener to specification.

TORQUE

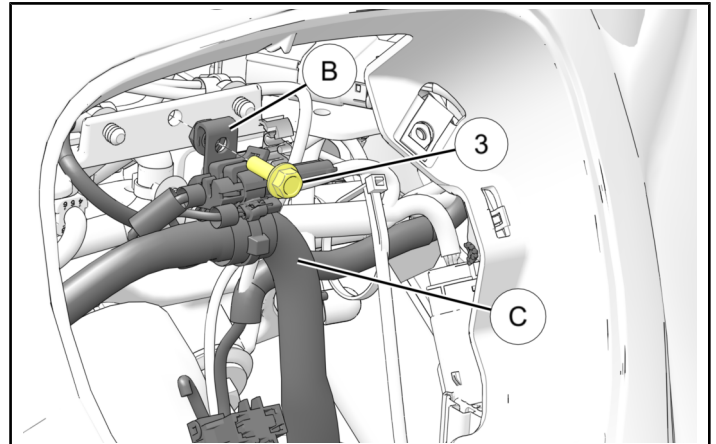
Power Control Module Screw **3**:
36 in-lbs (4 N·m)



6. Make sure all electrical connectors are connected to power supply module. Pull on connectors to make sure they are locked in place.
7. Reinstall bracket **B** and harness **C**, attach with new screw **3**. Torque screw to specification.

TORQUE

Power Control Module Screw **3**:
36 in-lbs (4 N·m)



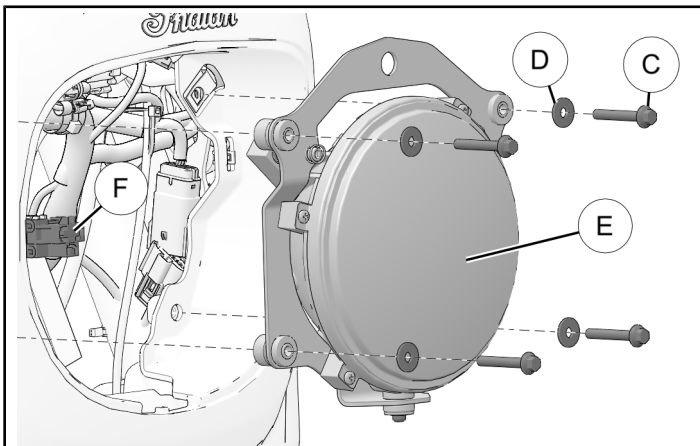
INSTALL HEADLIGHT ASSEMBLY

INSTALL HEADLIGHT BRACKET

1. Connect headlight connector (F) to headlight. If equipped, plug in accent light lead to wire connector (accent light wire found on 2017 and newer models without lit fender headress). Install headlight into place. Attach headlight assembly frame (E) with four retained screws (C) and washers (D). Torque screws to specification.

TORQUE

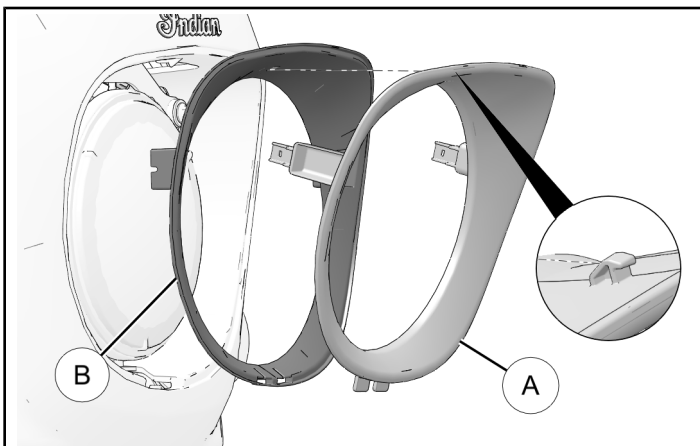
Headlight Bracket Fasteners (C):
75 in-lbs (8.5 N·m)



INSTALL HEADLIGHT BEZEL

Chieftain® Fairing:

- Install rubber surround (B) and headlight trim (A) into fairing and carefully press into place.

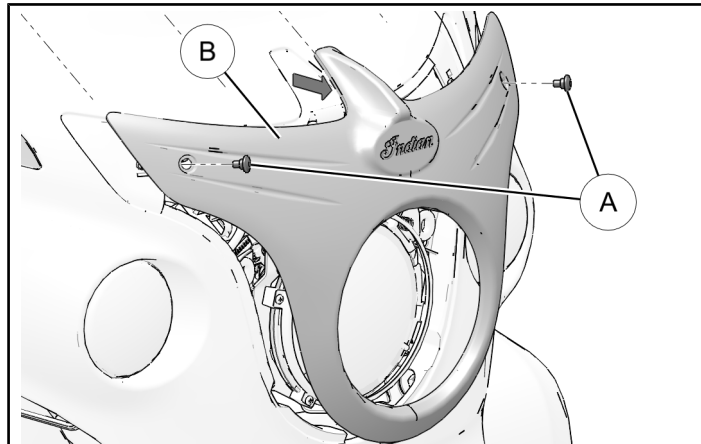


Classic Fairing:

- Install trim piece (B) into fairing and attach with two retained screws (A). Torque screws to specification.

TORQUE

Bezel Fasteners (A):
36 in-lbs (4 N·m)



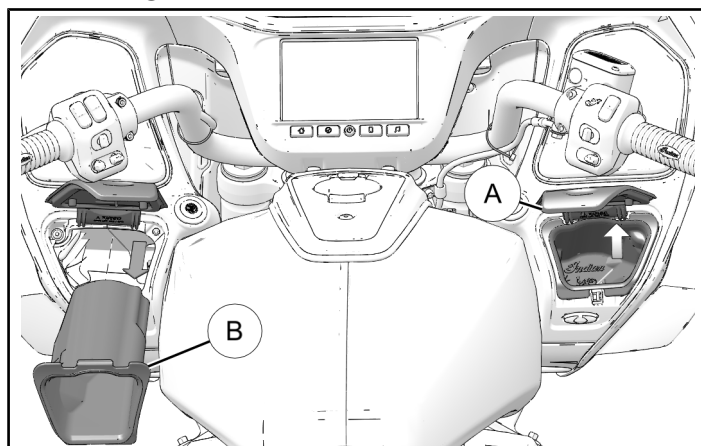
POWER SUPPLY MODULE INSTALLATION CHASSIS MOUNTED FAIRING

IMPORTANT

This section applies to motorcycles with the accessory trunk kit ONLY

OUTER FAIRING REMOVAL

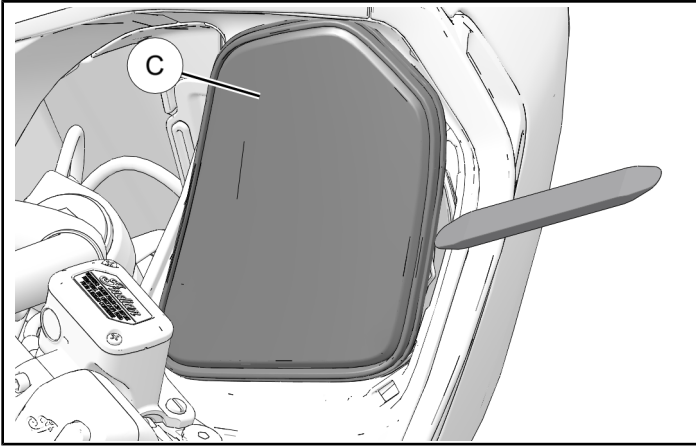
1. Open storage doors (A) and pull out storage liners (B). Set liners aside.



2. Carefully pry along edge with non-marring pry tool to disengage speaker grill assemblies (C).

TIP

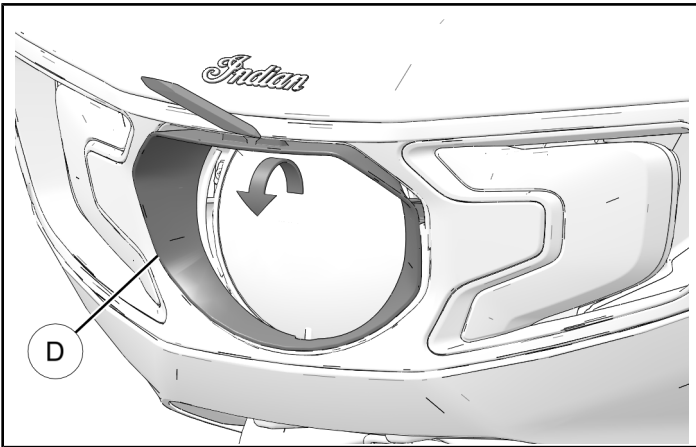
Use Special Tool:
Non-marring Pry Tool, P/N 5456907 (or equivalent)



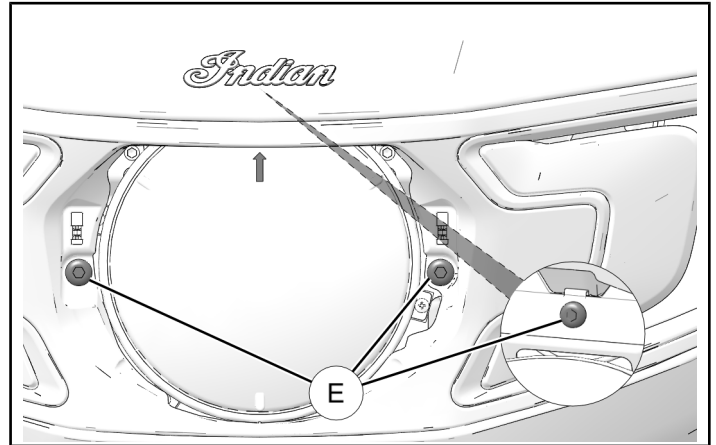
3. Gently pry along top edge of headlight bezel (D) with non-marring pry tool. Pull headlight bezel (D) down and out. Carefully set aside.

TIP

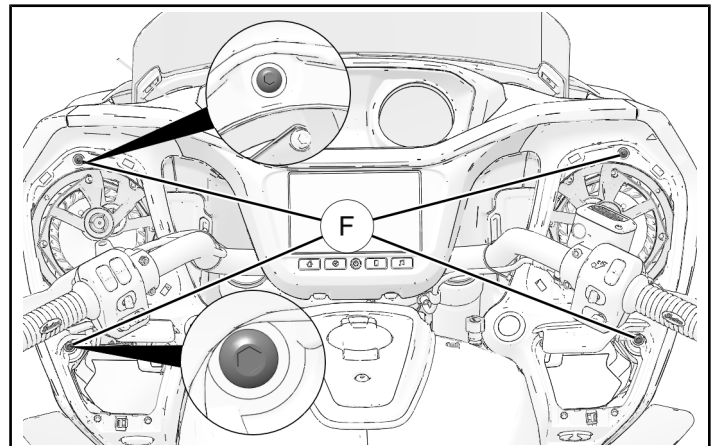
Use Special Tool:
Non-marring Pry Tool, P/N 5456907 (or equivalent)



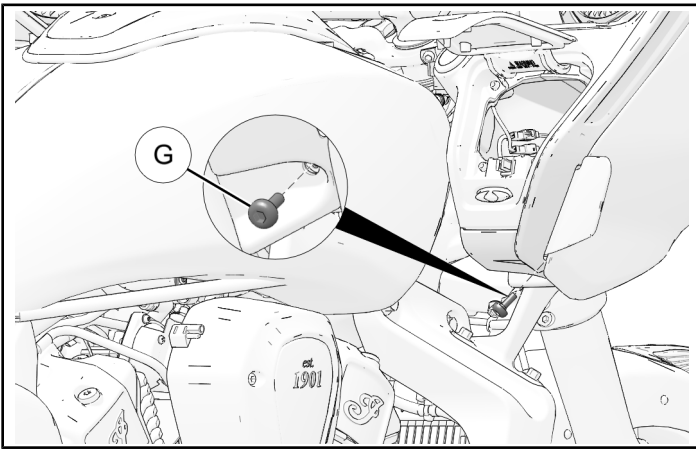
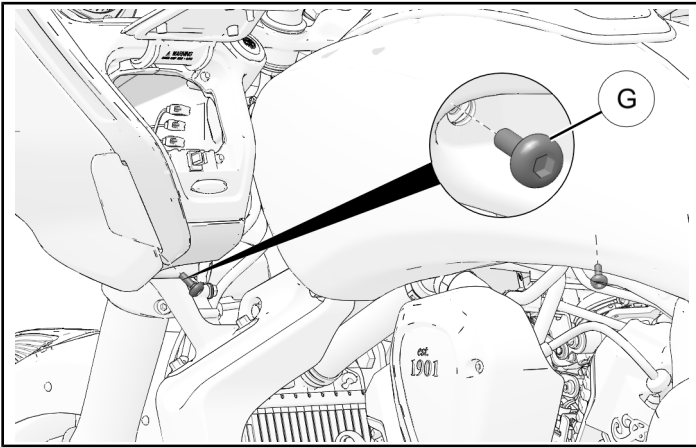
4. Remove and keep three screws (E) from around headlight bezel as shown.



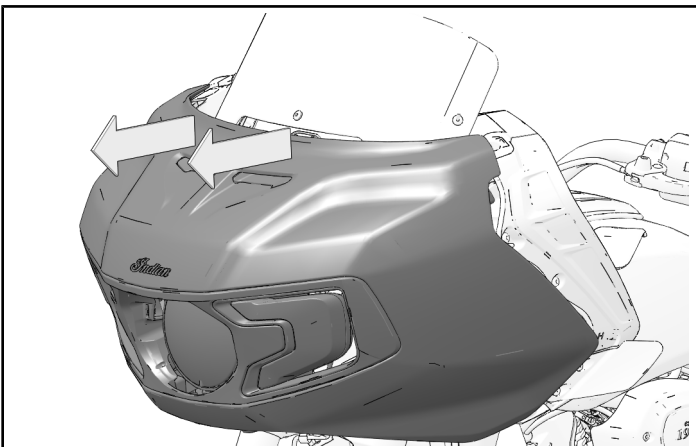
5. Remove and keep two screws (F) from top outer corner of storage openings and two screws (F) from top center of speaker openings.



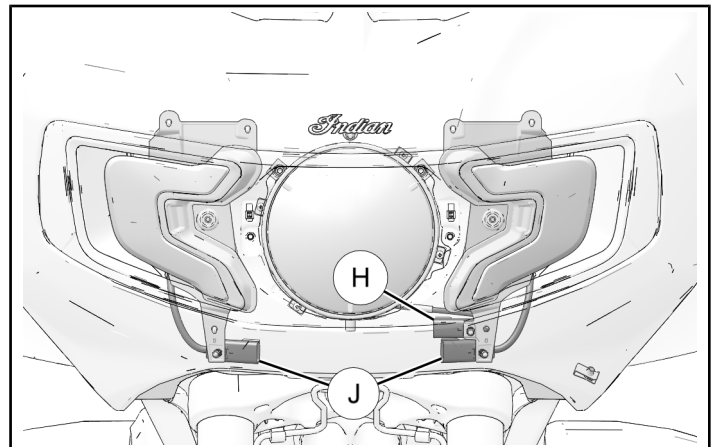
6. Remove and keep one screw ⑥ from under edge of each side of fairing as shown.



7. Pull fairing outward at top to disengage. Pull fairing out a short distance and disconnect headlight and turn signal wire connectors.



8. Disconnect connectors for headlight ⑧ and turn signals ⑨.



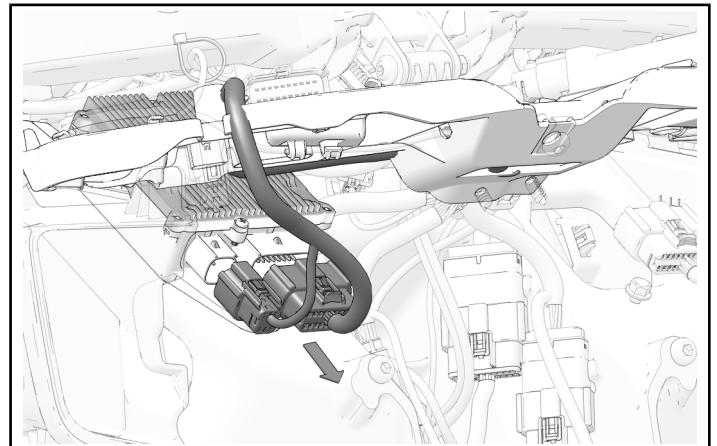
9. Carefully pull outer fairing off motorcycle and set aside.

POWER SUPPLY MODULE INSTALLATION CMF

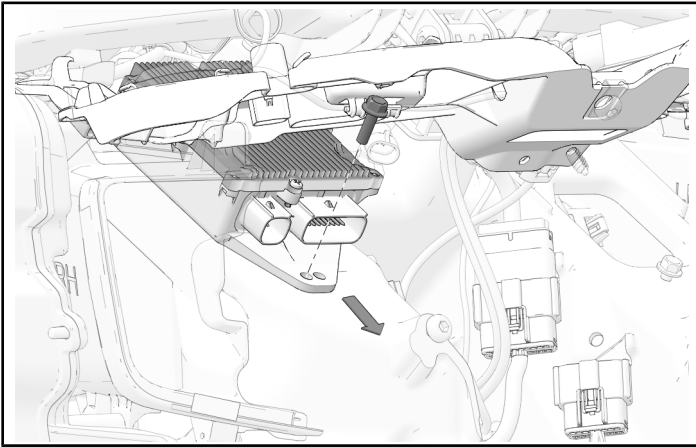
NOTICE

Fairing and Trunk Audio are powered by power supply in RH side (from rider's perspective) of fairing bracket. LH side of bracket is reserved for saddlebag audio power supply.

1. Disconnect two connectors from power supply module in right side of fairing.



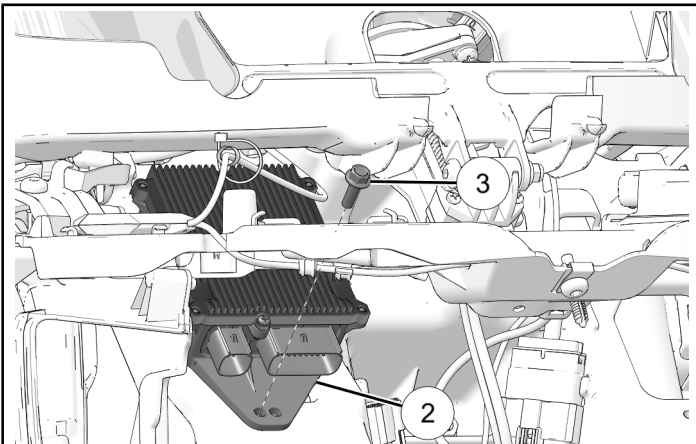
- Remove and discard one screw and stock power supply module.



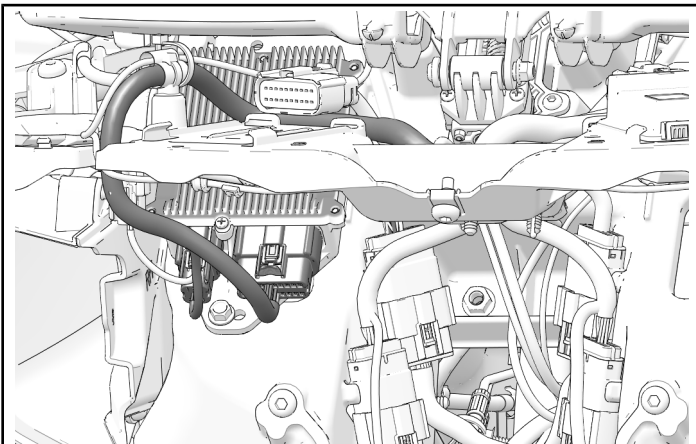
- Install power supply module ② into opening on right side of fairing. Attach module with one screw ③. Torque screw to specification.

TORQUE

Power Control Module Screw ③:
36 in-lbs (4 N·m)

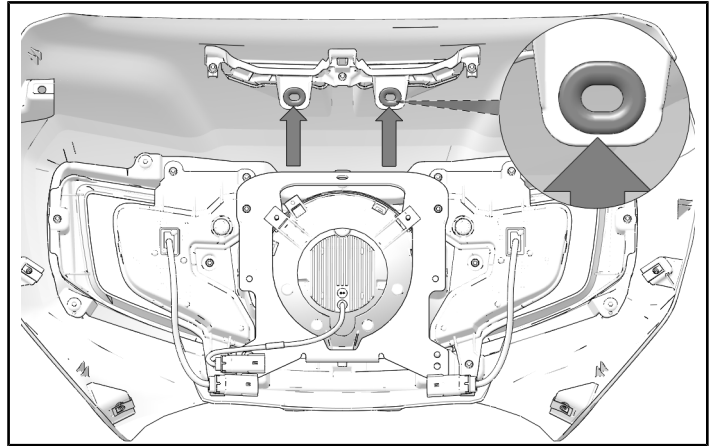


- Connect two open connectors to power supply module.

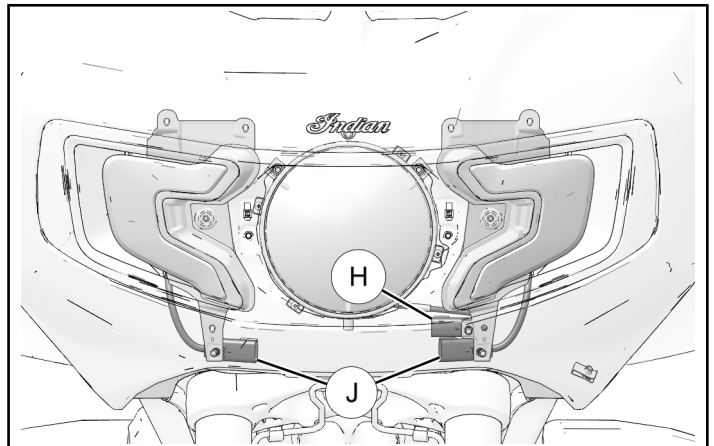


OUTER FAIRING INSTALLATION

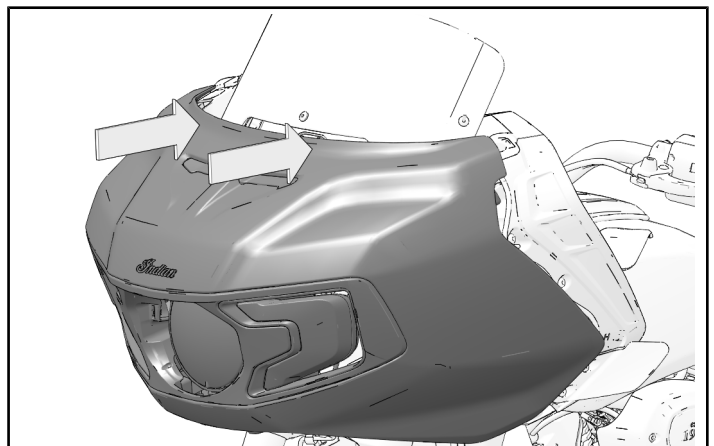
- Lubricate two grommets on inside of fairing.



- Set outer fairing in place and connect turn signal ① and headlight ② wire connectors.

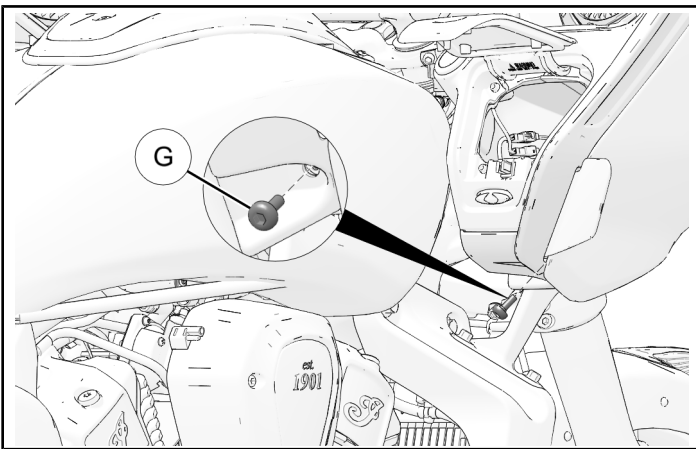
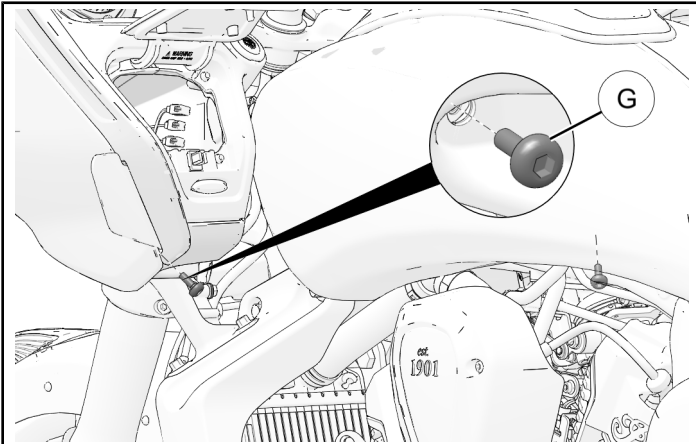


- Press fairing into place and at top edge to engage locating pins.



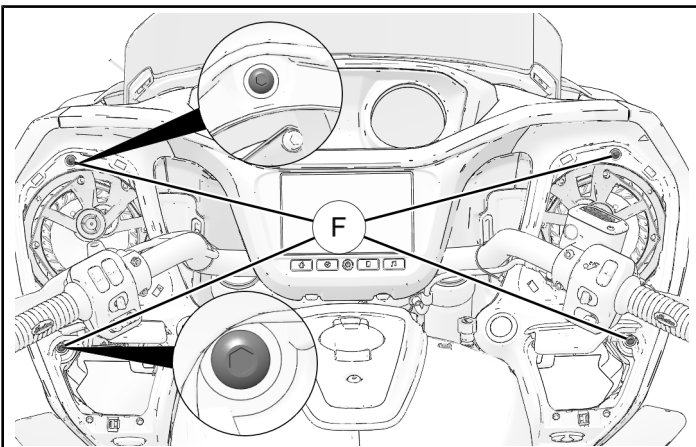
- Loosely install one screw ⑥ into hole under edge of each side of fairing as shown.

DO NOT torque fasteners at this time.

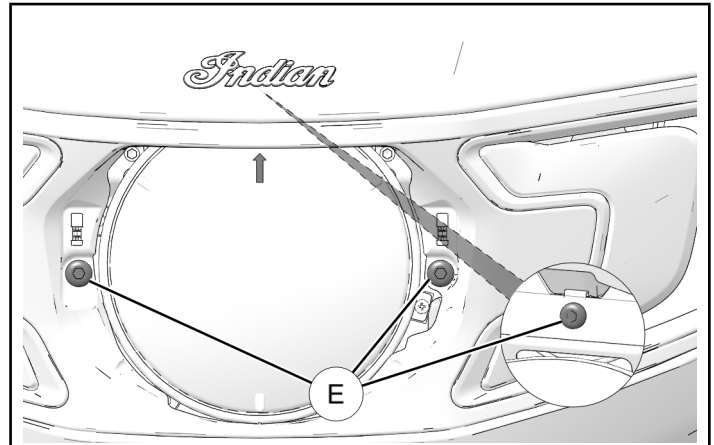


- Loosely install two screws ⑤ into top outer corner of storage openings and two screws ⑤ into top center of speaker openings.

DO NOT torque fasteners at this time.



- Loosely install three screws ④ around headlight bezel as shown.



- Torque all outer fairing screws to specification.

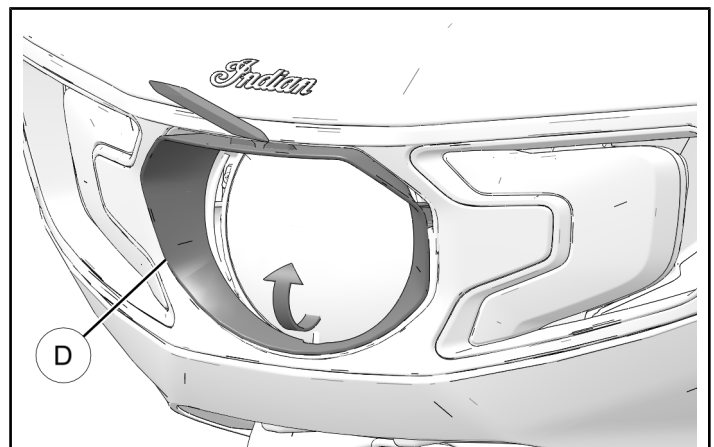
TORQUE

Outer Fairing Screws ④, ⑤, ⑥:
36 in-lbs (4 N·m)

- Carefully reinstall headlight bezel ③ into outer fairing opening starting with bottom tab. Press down on bezel (or use non-marring tool as shown) to insert upper tabs without damaging finish.

TIP

Use Special Tool:
 Non-marring Pry Tool, P/N 5456907 (or equivalent)



- Reinstall fairing speaker grills ②.
- Reinsert storage liners ①.

FEEDBACK FORM

A feedback form has been created for the installer to provide any comments, questions or concerns about the installation instructions. The form is viewable on mobile devices by scanning the QR code or by clicking [HERE](#) if viewing on a PC.

