

# SPRINGFIELD® SADDLEBAG AUDIO KIT



**P/N 2883925**

## APPLICATION

Model 2019 and Newer Indian Springfield®

Verify accessory fitment at [www.indianmotorcycle.com](http://www.indianmotorcycle.com).

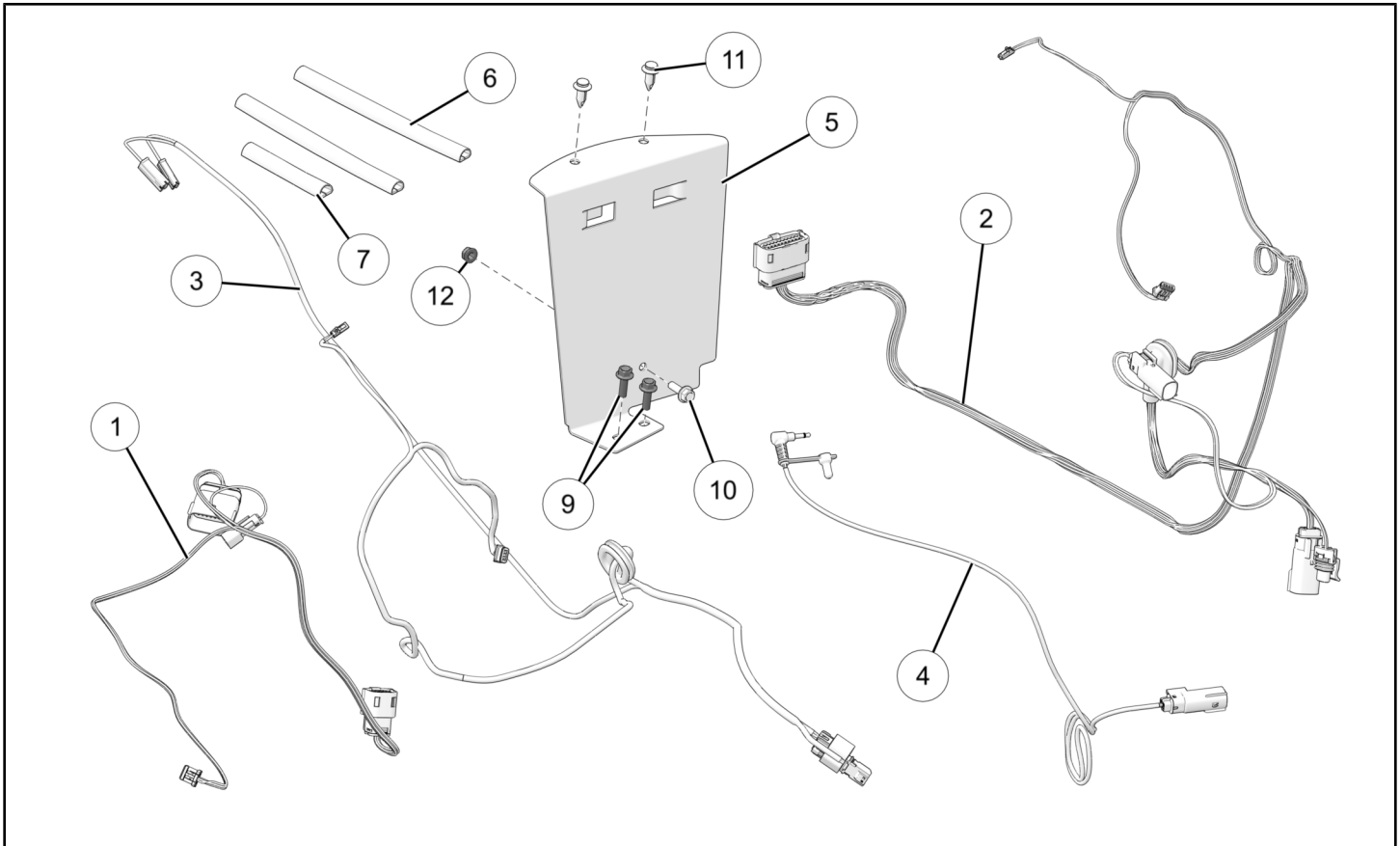
### IMPORTANT

This cannot be used in conjunction with any Trunk Kits.(Numerous PN)

## BEFORE YOU BEGIN

Read these instructions and check to be sure all parts and tools are accounted for. Please retain these installation instructions for future reference and parts ordering information.

## KIT CONTENTS



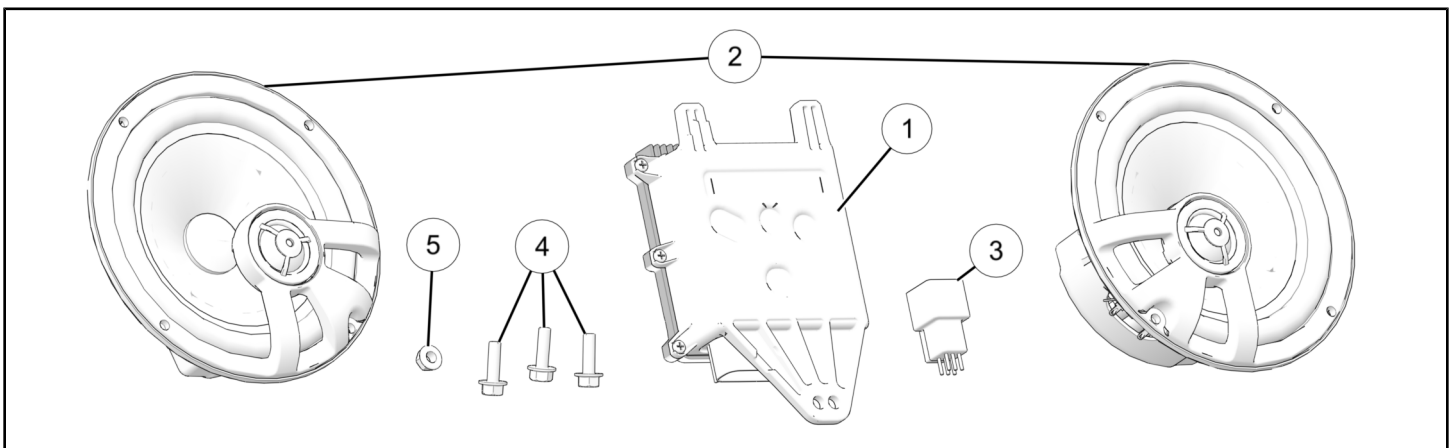
REF	QTY	PART DESCRIPTION	P/N AVAILABLE SEPARATELY
1	1	Harness, Mid-Bike	2414837
2	1	Harness, LH Saddlebag/Smart Power Supply	2414839
3	1	Harness, RH Saddlebag Audio	2414639
4	1	Harness, Audio Input	2414838

REF	QTY	PART DESCRIPTION	P/N AVAILABLE SEPARATELY
5	1	Mount, Power Supply	5455669
6	2	Wire Cover, Long	5522014
7	1	Wire Cover, Short	5522256
8	5	Cable Tie (Not Shown)	7080138
9	2	Screw, Hex Flange Head, M6 X 1.0 X 20, Black Painted	7517750
10	1	Screw, Hex Flange Head, M6 X 1.0 X 20, Zinc	7518141
11	2	Rivet, Plastic, .315 X .787	7661855
12	1	Nut, Hex Flange, M6 X 1.0, Black Painted	7710495
	1	Instructions	9929527

## REQUIRED SOLD SEPARATELY

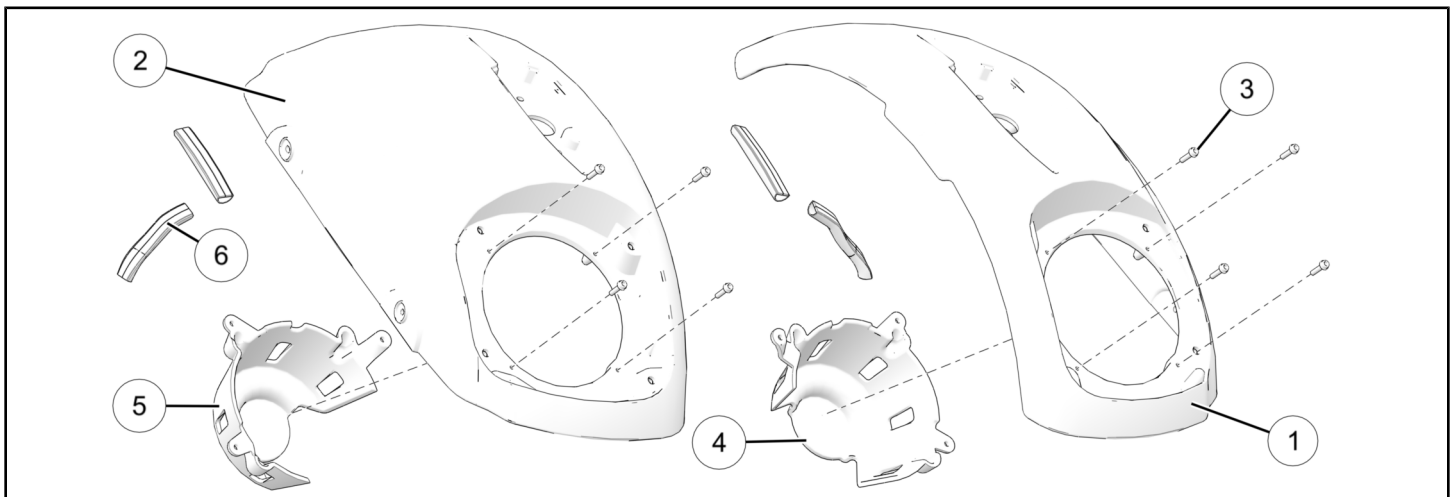
Only parts for installation of the Indian Motorcycle® Springfield® Saddlebag Audio Kit are included. Installation of the following additional kits is also required (sold separately):

### 6.5 INCH SPEAKER AND AMPLIFIER KIT 2883922



REF	QTY	PART DESCRIPTION	P/N AVAILABLE SEPARATELY
1	1	Module, Power Supply, 4 Channel	4017736
2	2	Speaker, 6.5 Inch	4017741
3	1	Assembly, 6-Pin Connector Cap	4018421
4	3	Crew, Hex Flange Head, M6 X 1.0 X 20	7518141
5	1	Nut, Hex Flange Head, M6 X 1.0 X 10	7710495

## SADDLEBAG AUDIO LID KIT 2883670-XXX

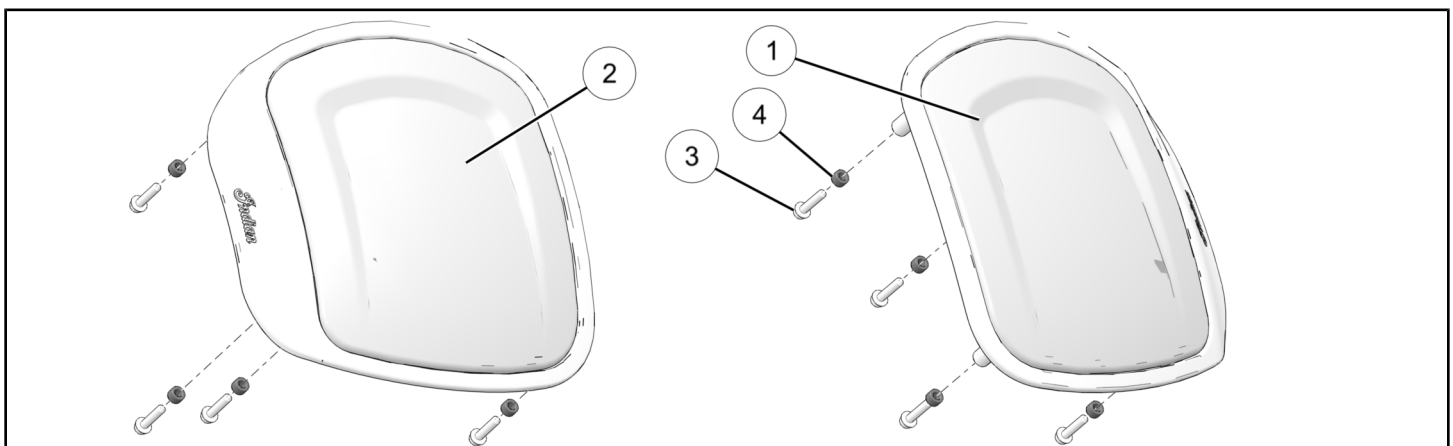


REF	QTY	PART DESCRIPTION	P/N AVAILABLE SEPARATELY
1	1	Lid, Saddlebag Audio, LH	5455393-XXX
2	1	Lid, Saddlebag Audio, RH	5455394-XXX
3	8	Screw, Pan Head Socket Washer, #8 X 19	7520960
4	1	Cover, Speaker, Saddlebag, LH	5455399
5	1	Cover, Speaker, Saddlebag, RH	5455400
6	4	Cover, Wire, Saddlebag, Short	5522256
	1	Instructions	9928789

### NOTE

XXX = Indian Motorcycles® color code (For example: 266 = Black)

## SPEAKER GRILL KIT 2883669



REF	QTY	PART DESCRIPTION	P/N AVAILABLE SEPARATELY
1	1	Assembly, Speaker Grill, LH	2637468-XXX
2	1	Assembly, Speaker Grill, RH	2637469-XXX

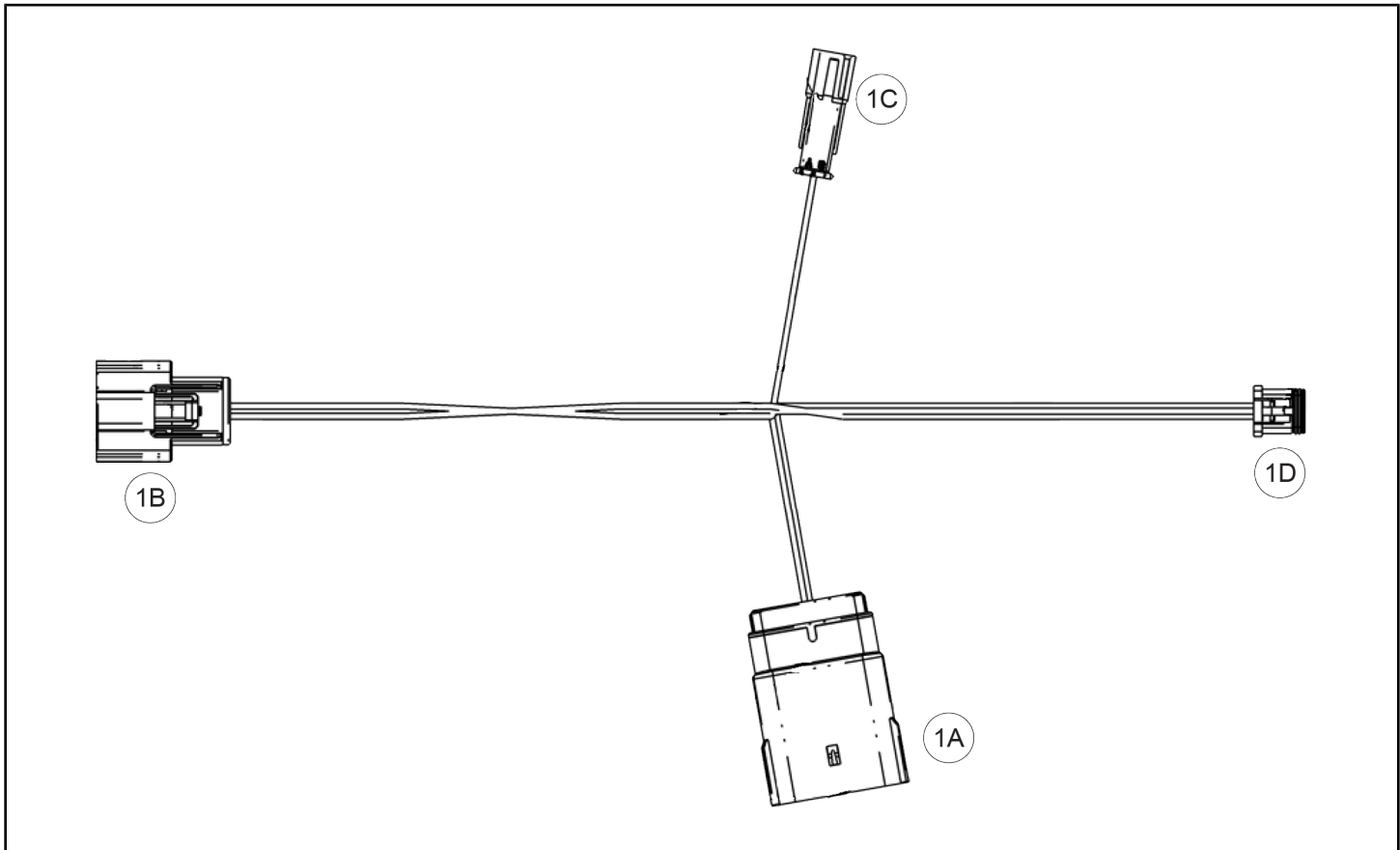
REF	QTY	PART DESCRIPTION	P/N AVAILABLE SEPARATELY
3	8	Screw, Pan Head Socket Washer, #8 X 19	7520960
4	8	Washer, Rubber	7557148

**NOTE**

XXX = Indian Motorcycles® color code (For example: 266 = Black)

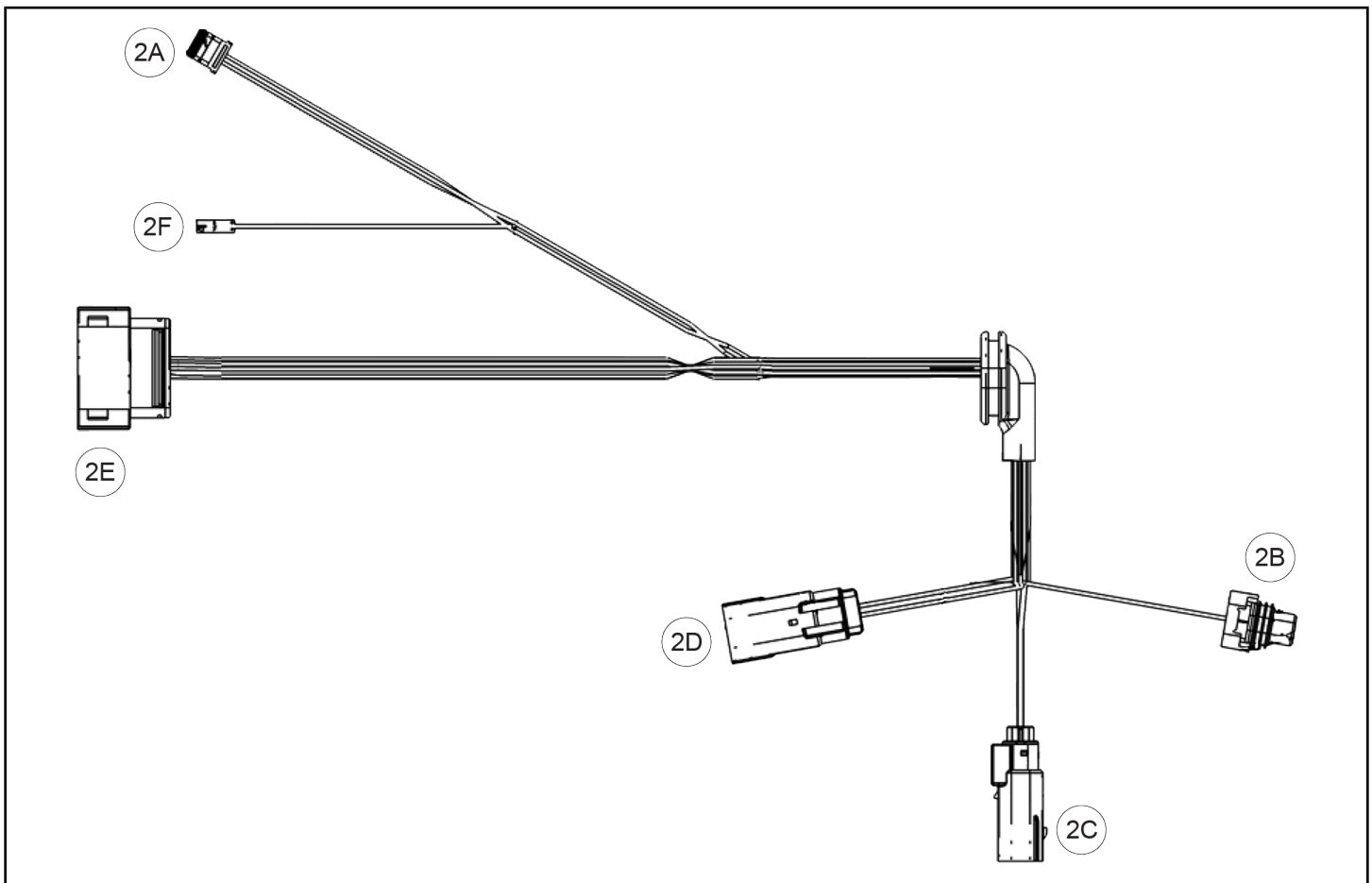
**HARNESS DETAIL**

**MID-BIKE HARNESS (1) (PN 2414837)**



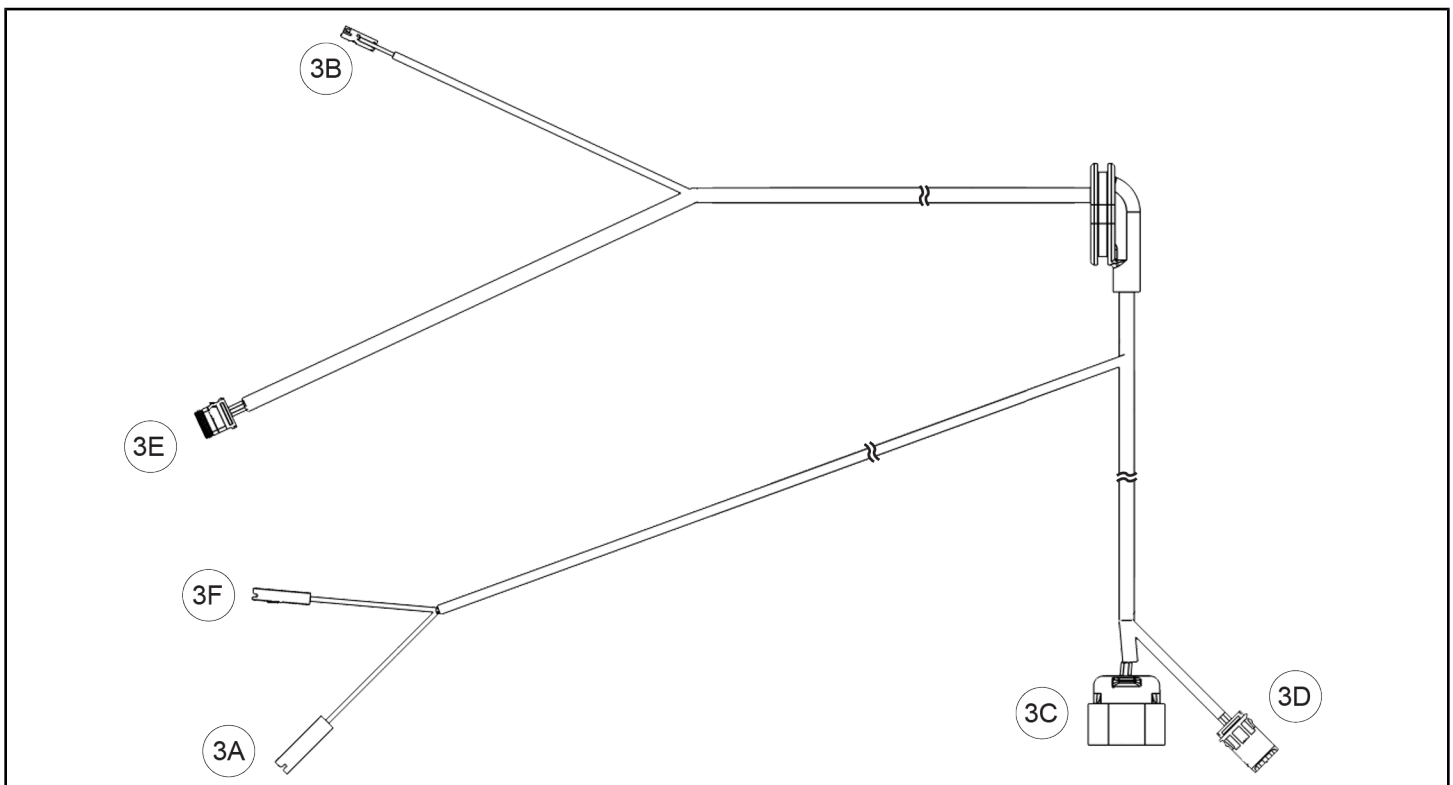
REF	PART DESCRIPTION	PIN QTY/ GENDER	CONNECTS TO
<b>1A</b>	Chassis Harness Connector	16 / Male	Chassis Saddlebag Harness Main Connector
<b>1B</b>	LH Saddlebag/Smart Power Supply Harness Connector	8 / Female	LH Saddlebag/Smart Power Supply Harness Connector <b>2D</b>
<b>1C</b>	12V Saddlebag Power Port Source Connector	2 / Male	Chassis 12V Power Connector
<b>1D</b>	RH Saddlebag Audio Harness Connector	4 / Female	RH Saddlebag Harness Connector <b>3D</b>

## LH SADDLEBAG/SMART POWER SUPPLY HARNESS (2) (PN 2414839)



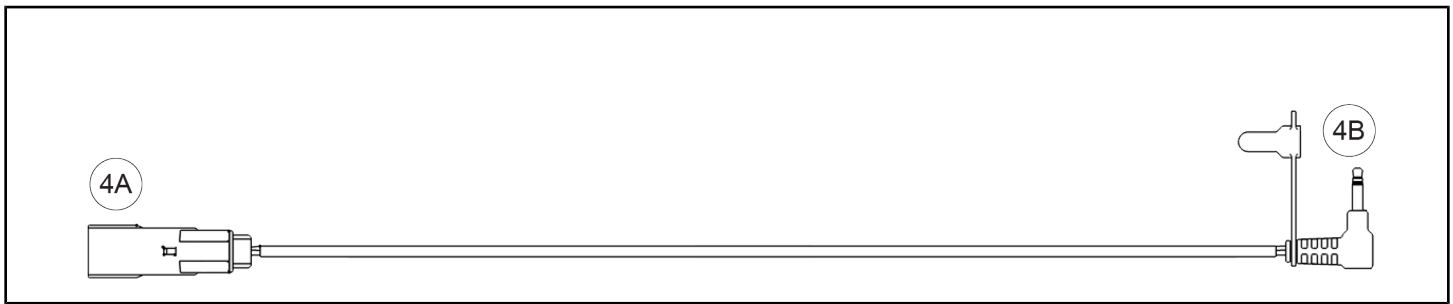
REF	PART DESCRIPTION	PIN QTY/ GENDER	CONNECTS TO
2A	LH Saddlebag Speaker Connector	4/Female	LH Saddlebag Speaker ② (From kit PN 2883922)
2B	Chassis Connector	2/Female	Chassis
2C	Chassis Audio Power Connector	4/Male	Chassis Audio Power
2D	Mid Bike Connector	8/Male	Mid Bike Harness Connector 1B
2E	Smart Power Supply Harness Connector	20/ Female	Smart Power Supply Module ① (from kit PN 2883922)
2F	LH Saddlebag Lid Lock Connector	2/Female	LH Saddlebag Lid Lock

## RH SADDLEBAG HARNESS (3) (2414639)



REF	PART DESCRIPTION	PIN QTY/ GENDER	CONNECTS TO
3A	RH Saddlebag Power Port Negative (-) Connector	1/Female	Power Port Negative (-) Terminal
3B	RH Saddlebag Lid Lock Connector	2/Female	RH Saddlebag Lid Lock
3C	Chassis Harness Connector	4/Female	Chassis Harness
3D	RH Saddlebag Audio Connector	4/Male	Mid Bike Harness Connector <b>1D</b>
3E	RH Saddlebag Speaker Connector	4/Female	RH Saddlebag Speaker ② (from kit PN 2883922)
3F	RH Saddlebag Power Port Positive (+) Connector	1/Female	Power Port Positive (+) Terminal

## AUDIO INPUT HARNESS (4) (PN 2414838)



REF	PART DESCRIPTION	PIN QTY/ GENDER	CONNECTS TO
4A	Audio Input Connector	4/Male	Input Connector in Nacelle
4B	3.5mm Input	1/Male	3.5mm Output on Portable Devices

### TOOLS REQUIRED

- Safety Glasses
- Drill
- Drill Bit: 5/16 inch (8mm)
- Pliers, Side Cutting
- Screwdriver Set, Torx®
- Socket Set, Hex Bit, Metric
- Socket Set, Hex Bit, Ball End, Metric
- Socket Set, Metric
- Socket Set, Torx® Bit
- Torque Wrench
- Wrench Set, Metric

### CONSUMABLES REQUIRED

- Room Temperature Vulcanizing (RTV) Silicone

### IMPORTANT

Your Indian Motorcycle® Springfield® Saddlebag Audio Kit is exclusively designed for your vehicle. Please read the installation instructions thoroughly before beginning. Installation is easier if the vehicle is clean and free of debris. For your safety, and to ensure a satisfactory installation, perform all installation steps correctly in the sequence shown.

### INSTALLATION INSTRUCTIONS

#### VEHICLE PREPARATION

##### GENERAL

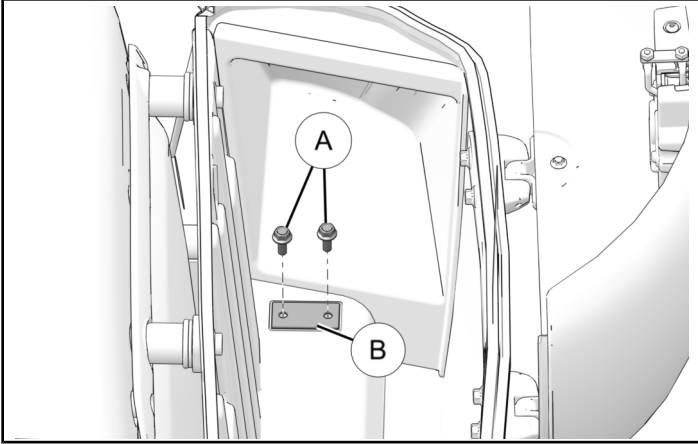
1. Turn key or ignition switch to “OFF” position and remove key. If equipped with keyless fob, remove fob from proximity of vehicle.
2. Ensure motorcycle is park on a flat surface, kickstand is fully extended, and vehicle is stable prior to installation.
3. Remove seat and side covers as per owner’s manual.
4. Disconnect battery as per owner’s manual.

## ACCESSORY INSTALLATION

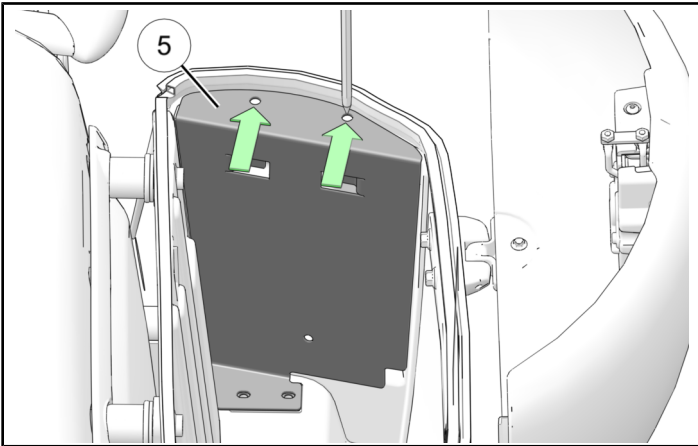
### POWER SUPPLY MODULE INSTALLATION

#### PREPARE SADDLEBAG FOR MOUNT

1. Open LH Saddlebag lid. Remove and discard two screws (A). Leave plate (B) in place as it will be reused.

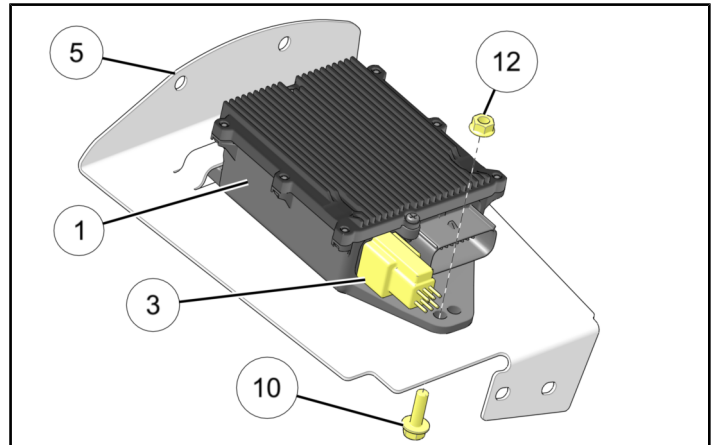


2. Using power supply mount (5) as a template, set in place and mark location of two holes.

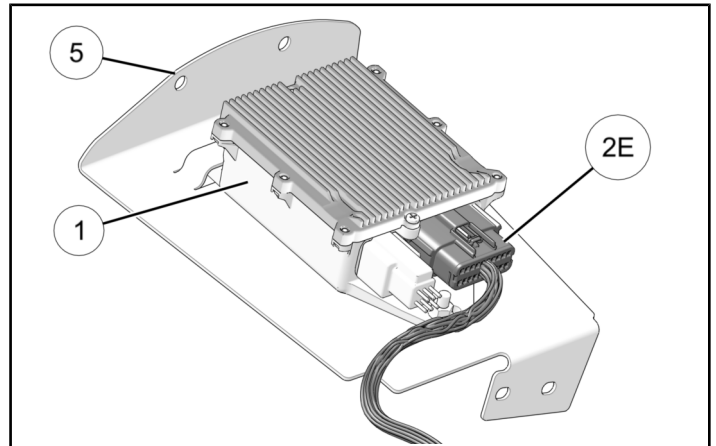


3. Carefully drill two 5/16 inch (8 mm) holes in marked location.

4. Install Smart Power Supply Module (1) (from 6.5 Inch Speaker and Amplifier Kit PN 2883922) to power supply mount (5) using new nut (12) and bolt (10). Install connector cap (3) (from 6.5 Inch Speaker and Amplifier Kit PN 2883922) to connector on power supply module (1).



5. Connect Smart Power Supply Harness connector 2E (from LH Saddlebag/Smart Power Supply Harness (2)) to Smart Power Supply Module (1).

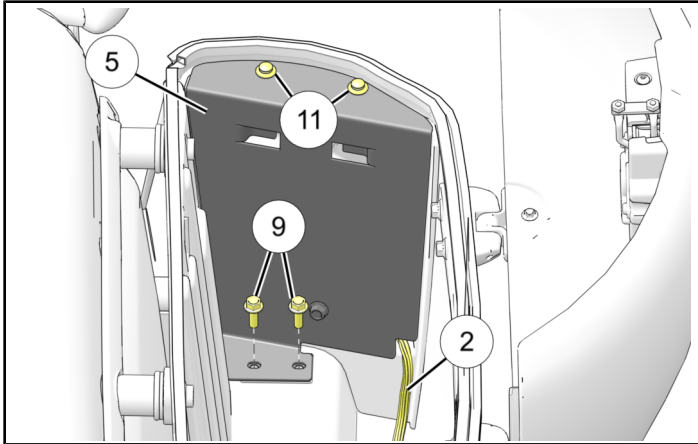




6. Install power supply mount ⑤ into LH saddlebag. Ensure LH Saddlebag harness ② is routed through opening in lower corner of mount as shown. Secure mount with two new screws ⑨ and two push pin rivets ⑪. Torque new screws ⑨ to specification.

### TORQUE

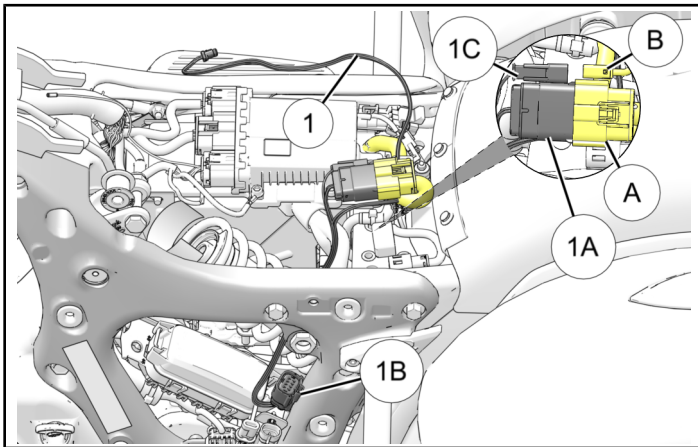
SPS Mount screws ⑨: **84 in-lbs (9.5 Nm)**



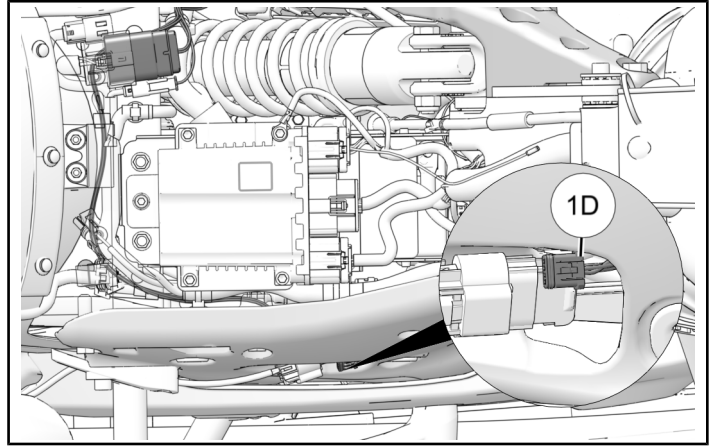
### MID-BIKE HARNESS INSTALLATION

1. Connect the following connectors together:
  - Mid-Bike Harness ① Chassis Harness Connector **1A** to Chassis side Saddlebag Harness Main Connector **A**
  - Mid-Bike Harness ① 12V Saddlebag Power Post Source Connector **1C** to Chassis 12V Power Connector **B**

Route connector **1B** under frame and out opening as shown.



2. Route wiring and connector **1D** around ECU along frame and out opening in right side frame as shown.

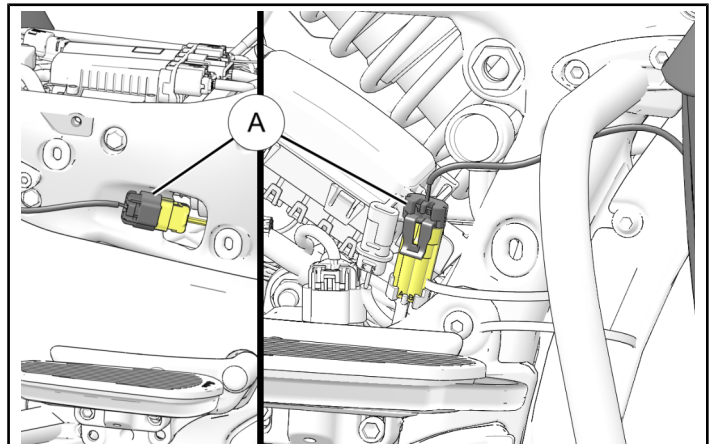


### SADDLEBAG LID INSTALLATION

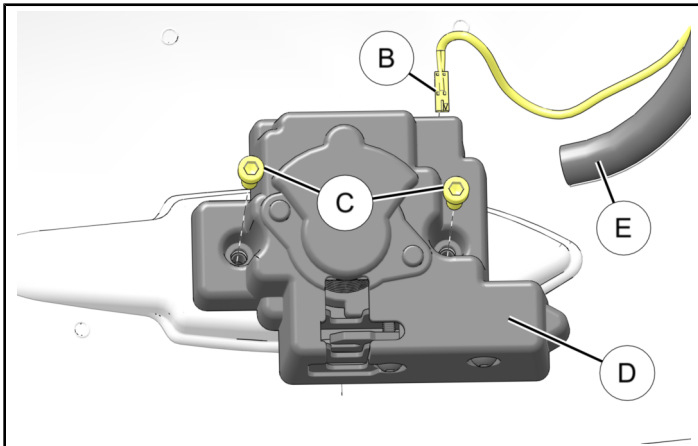
#### STOCK SADDLEBAG LID REMOVAL

These steps apply to both Left and Right Saddlebag lids except as noted.

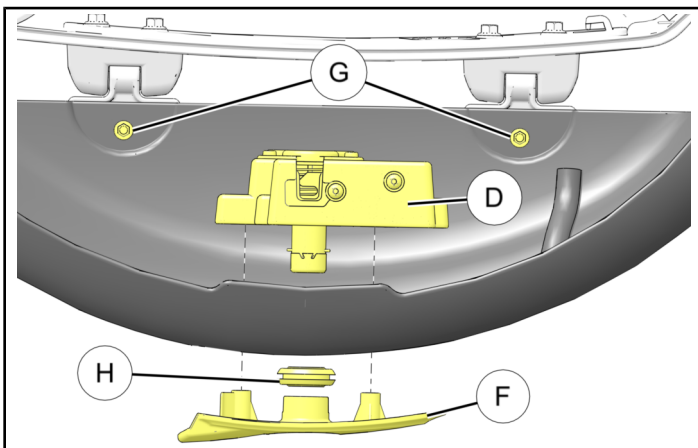
1. Disconnect one electrical connector **A** on each side for saddlebag wiring.



- Open saddlebag lids, unplug saddlebag lock wire connector (B), remove and retain two hex head screws (C) from saddlebag lock assembly (D). Remove wiring from channel (E).

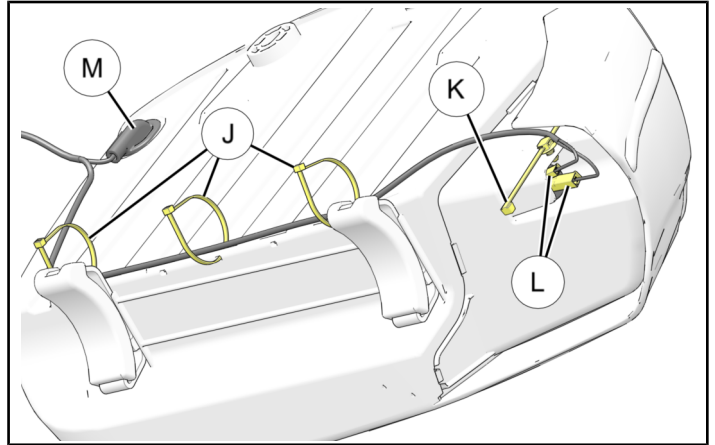


- Remove saddlebag lock assembly (D), handle (F) and lock cylinder grommet (H), and set aside. Remove two screws (G) from lid hinges and remove lid. Repeat for second saddlebag lid.



## **DISCONNECT 12V WIRE HARNESS (RH SADDLEBAG ONLY)**

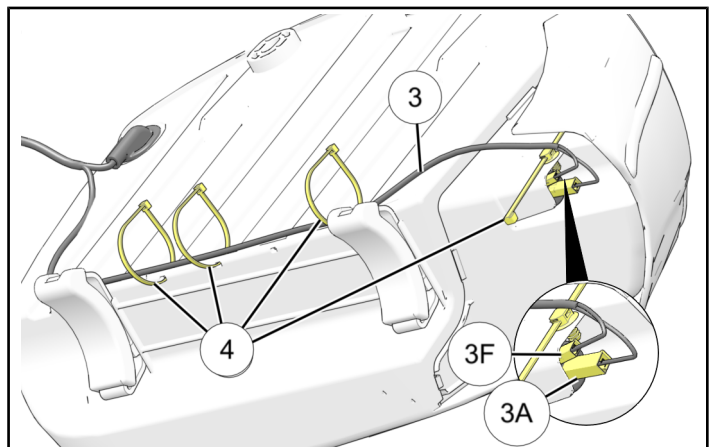
- Remove RH Saddlebag as per owner's manual procedure.
- Under RH saddlebag, remove three cable ties (J) and one push-pin cable tie (K) (leave push-pin installed). Unplug 12V outlet connectors (L) and remove grommet (M) from saddlebag. Remove and discard wiring.



## **SADDLEBAG LID INSTALLATION**

### **RH SADDLEBAG WIRING HARNESS**

- Plug RH Saddlebag Power Port Negative (-) Connector (3A) into negative terminal and RH Saddlebag Power Port Positive (+) Connector (3F) into positive terminal of 12V outlet. Route harness wire (3) along path of stock wire and secure with new cable ties (4). Reuse push pin from cable tie near 12V outlet. Insert wiring harness into saddlebag and seat grommet into opening.



- Reinstall RH saddlebag onto bike as per owner's manual.

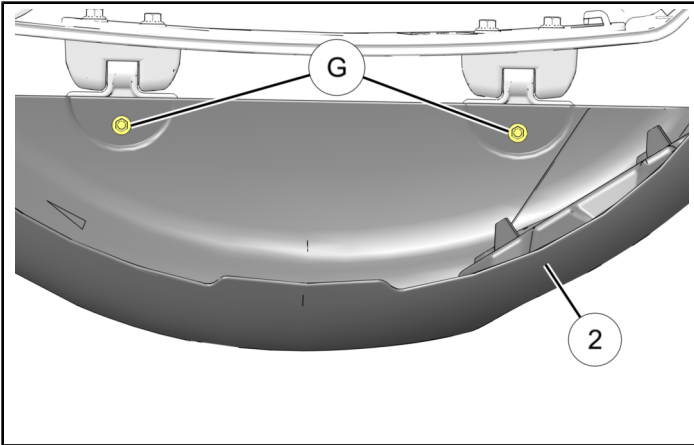
## SADDLEBAG LID AND LOCK INSTALLATION

These steps apply to both Left and Right Saddlebag lids except as noted. Only RH lid shown.

1. Install new saddlebag lid ② (from *Saddlebag Lid Kit PN 2883670*) onto saddlebag using two retained screws ⑥. Torque screws to specification.

### TORQUE

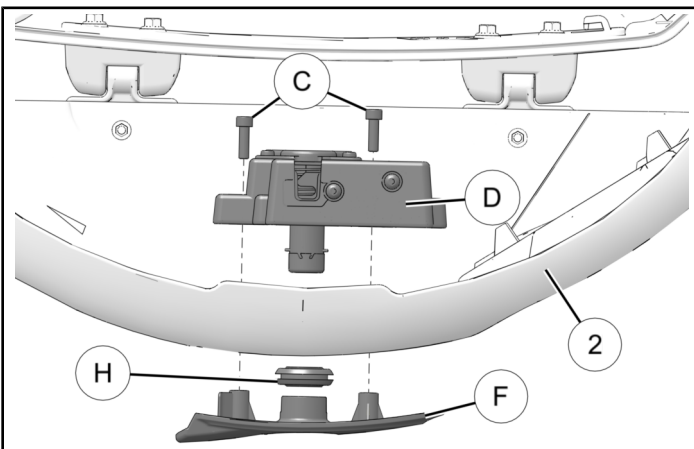
45 in. lbs. (5 Nm)



2. Install retained lock cylinder grommet ⑧ to new saddlebag lid ②. Install retained lock assembly and handle using two retained screws ③. Torque screws to specification.

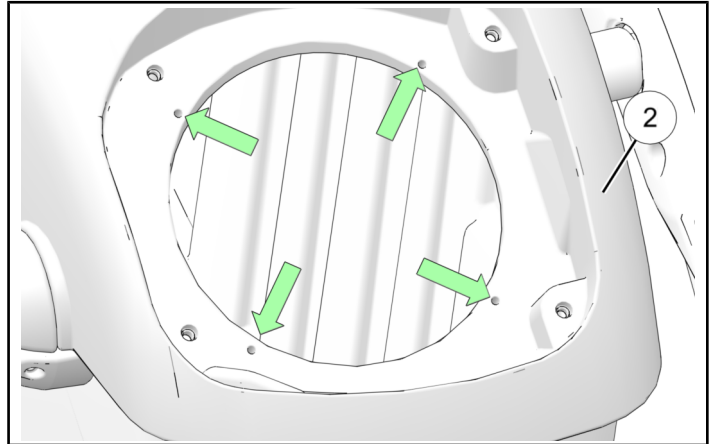
### TORQUE

65 in. lbs. (7.3 Nm)



## SPEAKER AND SPEAKER GRILL INSTALLATION

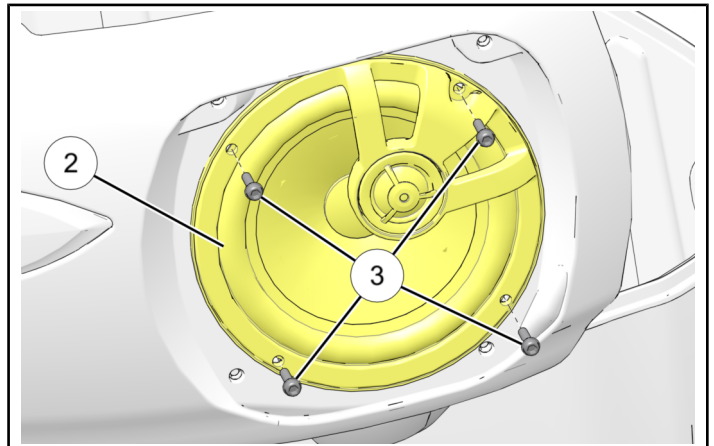
1. Apply RTV to speaker fastener holes (shown with arrows) in saddlebag lid ②.



2. Wipe excess RTV from surface.
3. Insert speaker ② (from *6.5 inch Speaker and Amplifier Kit PN 2883922*) into lid opening with speaker connector in basket opening as shown with arrow. Secure speaker with four screws ③ (from *Saddlebag Lid Kit PN 2883670*). Torque screws to specification.

### TORQUE

20 in. lbs. (2.25 Nm)



4. Clean any excess RTV from speaker.

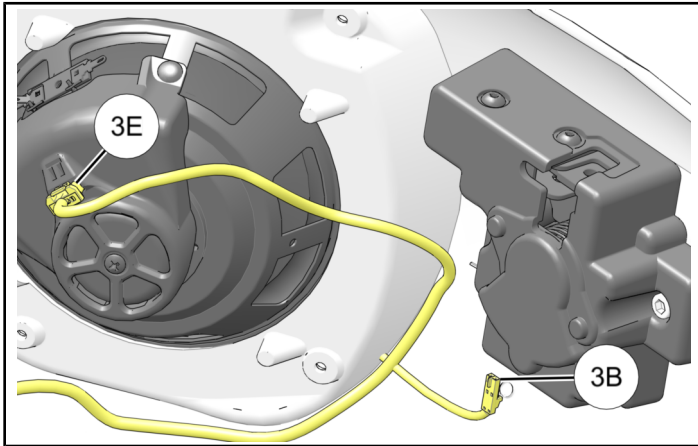
5. Plug the following terminals in:

• **RH Saddlebag (Shown in image)**

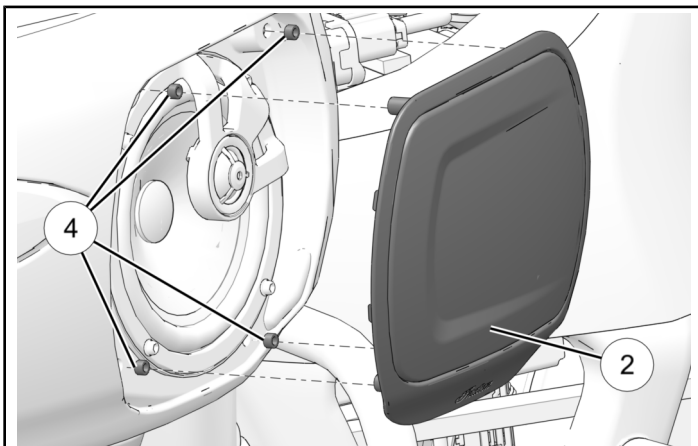
- (3B) RH Saddlebag Lid Lock Connector into lid lock assembly.
- (3E) RH Saddlebag Speaker Connector into speaker.

• **LH Saddlebag (Not shown in image)**

- (2A) LH Saddlebag Lid Lock Connector into lid lock assembly.
- (2D) LH Saddlebag Speaker Connector into speaker.



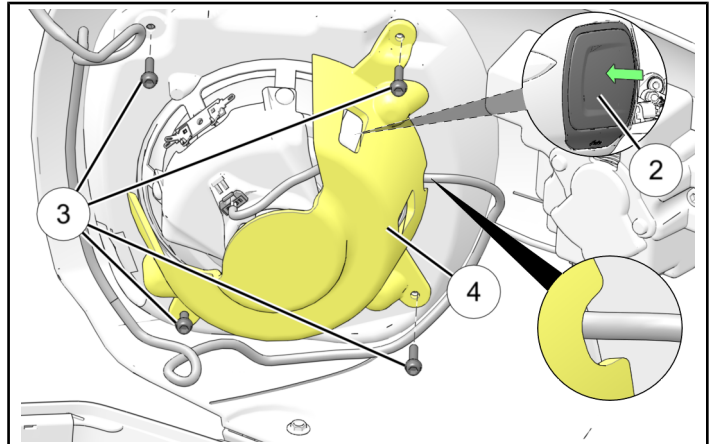
6. Insert four rubber washers (4) (from *Speaker Grill Kit PN 2883669*) into openings in lid. Ensure washers are fully inserted into openings. Set and hold speaker grill (2) (from *Speaker Grill Kit PN 2883669*) in place with one hand and open saddlebag lid continuing to hold grill in place for next step.



7. While applying light pressure to hold grill (2) in place, install speaker cover (4) (from *Kit PN 2883670-XXX*) and four screws (3) (from *Speaker Grill Kit PN 2883669*). Ensure wiring harness is routed through opening in cover as shown. Torque screws to specification.

**TORQUE**

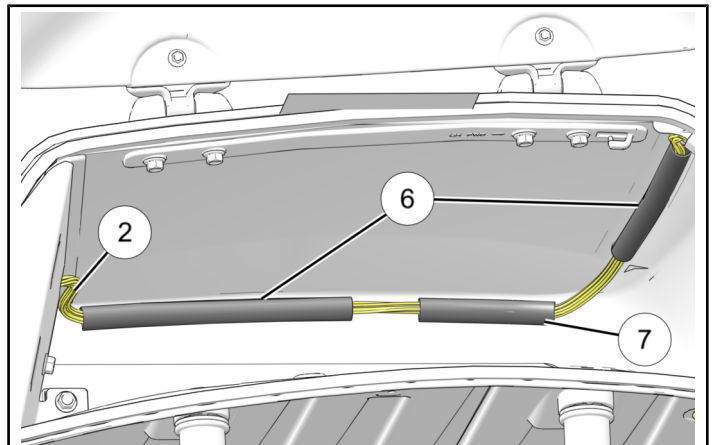
20 in. lbs. (2.25 Nm)



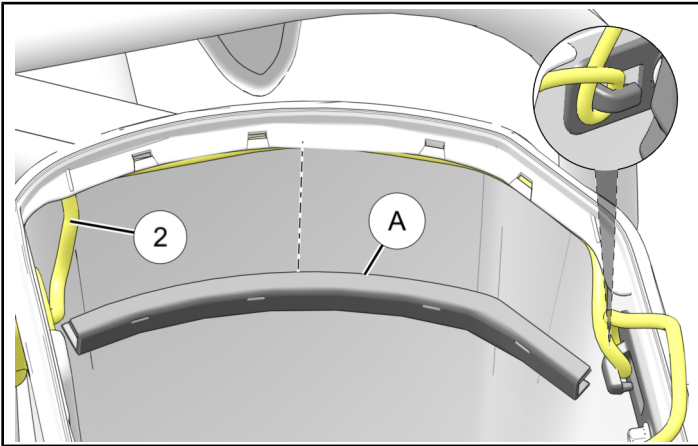
8. Repeat this section for opposite side saddlebag lid.

**SECURE WIRE HARNESS**

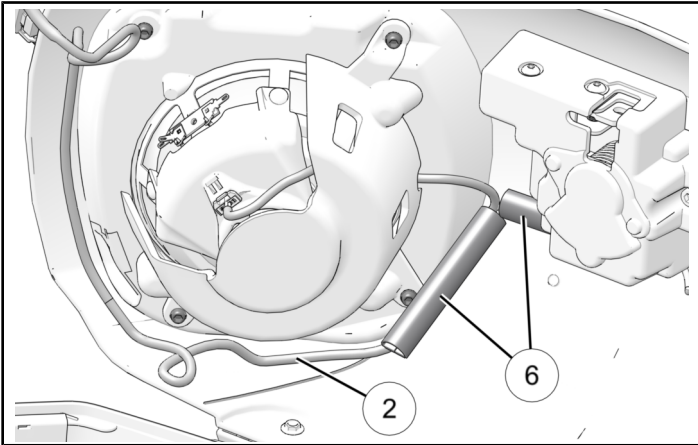
1. Secure harness (2) to base of saddlebag using two long wire covers (6) and one short wire cover (7) as shown.



- Carefully remove wire channel cover (A) from front upper edge of saddlebag . Route saddlebag harness (2) through hook as shown and along channel and reinstall cover (A).



- On underside of saddlebag lid, insert wire harness (2) into Wire Cover (6) and adhere wire cover to underside of saddlebag lid as shown.



- Repeat this section for opposite side saddlebag.

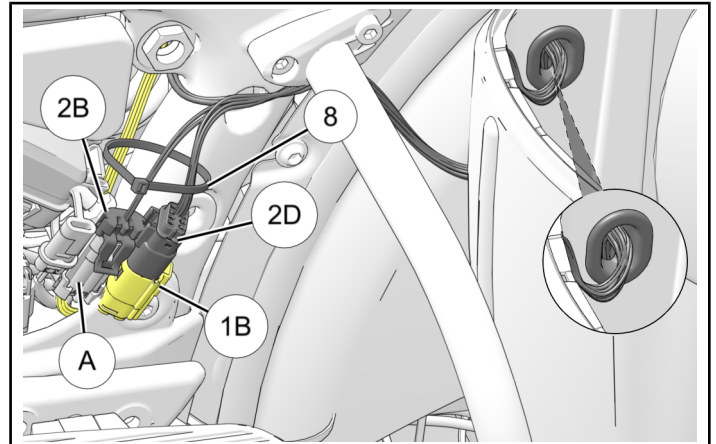
## **SADDLEBAG HARNESS CONNECTION**

### **LH SADDLEBAG HARNESS CONNECTION**

- Route wiring from grommet in saddlebag to connectors as shown. Connect following connectors:

- Chassis Connector (A) to LH Saddlebag Chassis Connector **2B**
- Midbike Harness Connector **1B** to LH Saddlebag/ Smart Power Supply Harness Connector **2D**

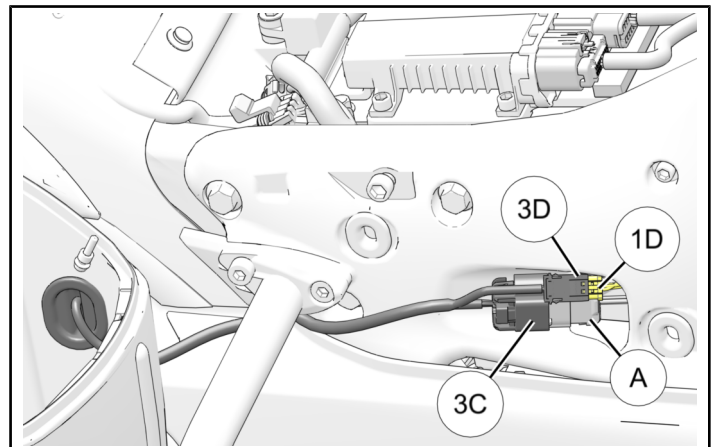
Secure wires with cable tie (8).



### **RH SADDLEBAG HARNESS CONNECTION**

- Route wiring from grommet in saddlebag to connectors as shown. Connect following connectors:

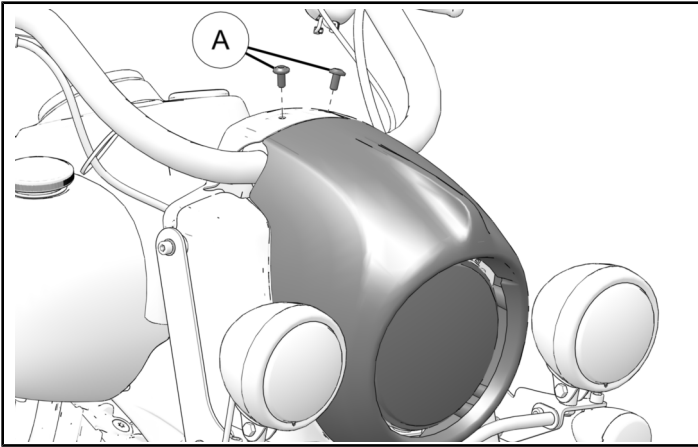
- Chassis Connector (A) to RH Saddlebag Chassis Connector **3C**
- Midbike Harness Connector **1D** to RH Saddlebag Harness Connector **3D**



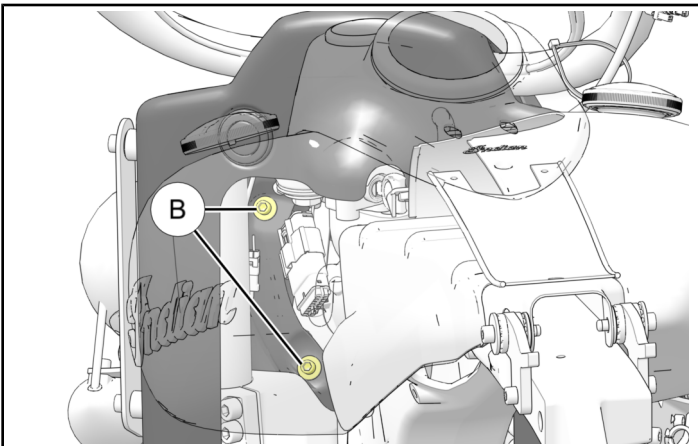
## AUDIO INPUT HARNESS INSTALLATION

### NACELLE REMOVAL

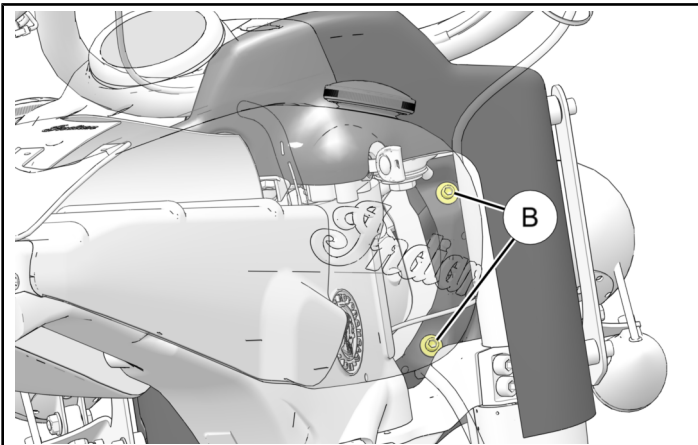
1. If equipped, remove windshield as per owner's manual.
2. Remove and retain two screws (A) from top of nacelle.



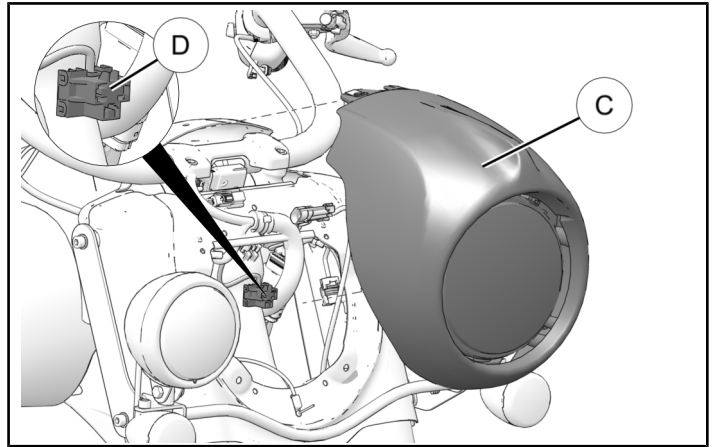
3. Turn handlebars to right until locked. Remove and retain two screws and washers (B) from inside of nacelle.



4. Turn handlebars to left until locked. Remove and retain two more screws and washers (B) from inside of nacelle.

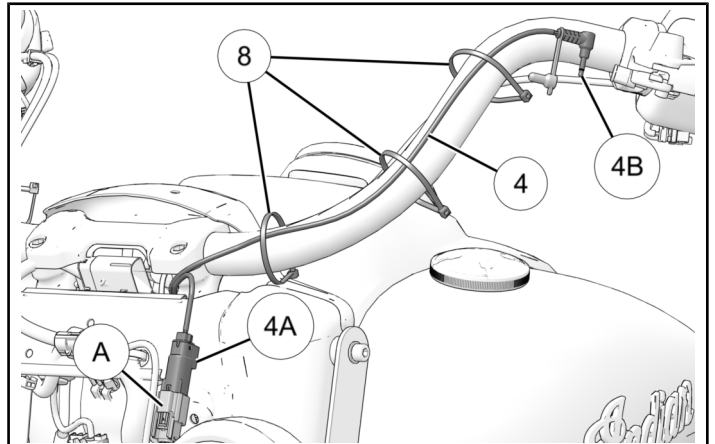


5. Pull nacelle and headlight assembly (C) from bike, disconnect headlight electrical connector (D). Carefully set assembly aside.



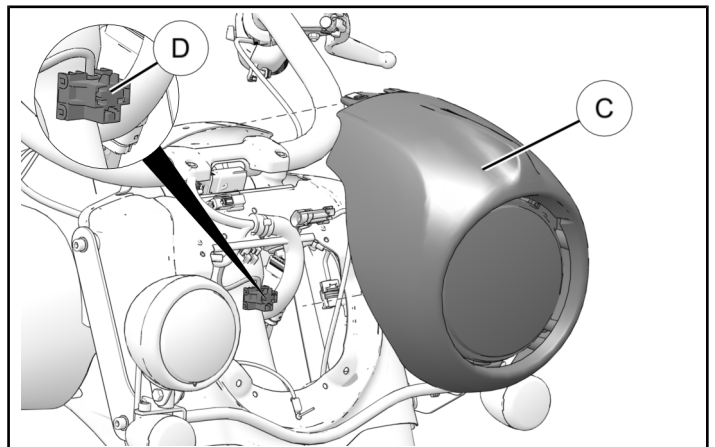
### AUDIO INPUT HARNESS INSTALLATION

1. Plug Audio Input Connector 4A into Input Connector (A) in Nacelle. Route 3.5mm Input 4B end of harness (4) up handlebar to grip and secure with cable ties (8).

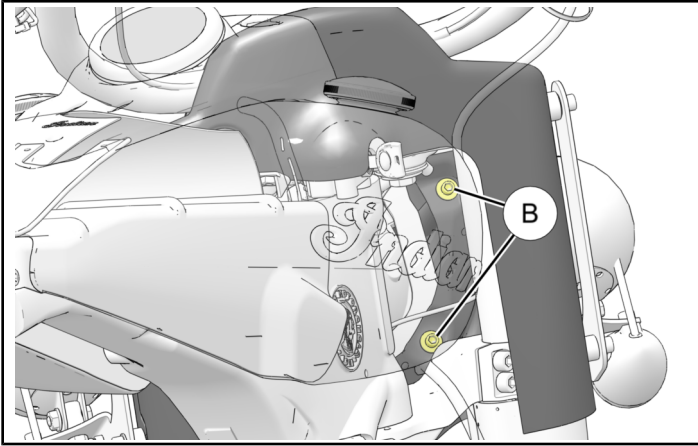


### NACELLE INSTALLATION

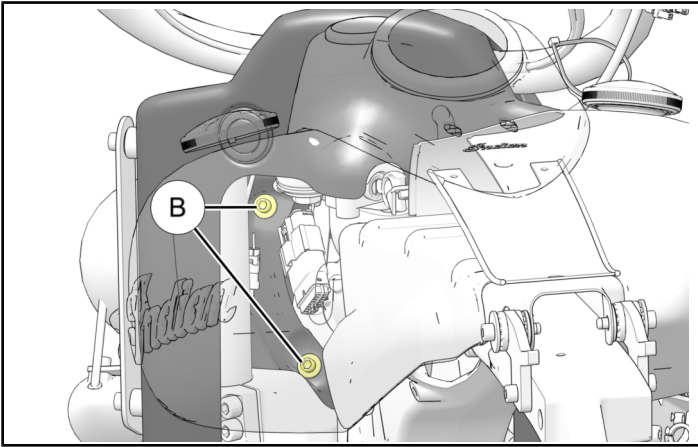
1. Connect headlight electrical connector (D) into headlight and install nacelle assembly (C) into place.



- Turn handlebars to left until locked. Loosely install two retained screws and washers **(B)**. **DO NOT tighten screws at this time.**



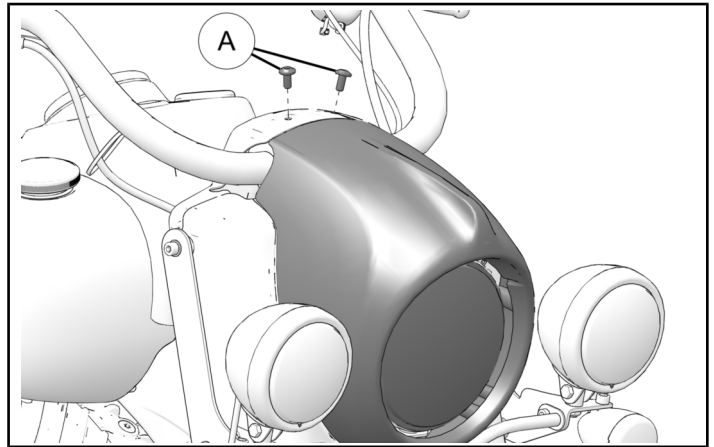
- Turn handlebars to right until locked. Loosely install two retained screws and washers **(B)**. **DO NOT tighten screws at this time.**



## FEEDBACK FORM

A feedback form has been created for the installer to provide any comments, questions or concerns about the installation instructions. The form is viewable on mobile devices by scanning the QR code or by clicking [HERE](#) if viewing on a PC.

- Loosely install two retained screws **(A)** into top of nacelle.



- Ensure all wires and cables are properly tucked inside nacelle. Ensure nacelle is properly aligned and torque screws to specification.

## TORQUE

Nacelle top screws **(A)**: **36 in-lbs (4 Nm)**  
Nacelle inner screws **(B)**: **75 in-lbs (8 Nm)**

## VEHICLE REASSEMBLY

### GENERAL

- If equipped, reinstall windshield as per owner's manual.
- Reconnect battery as per owner's manual.
- Reinstall side covers and seat as per owner's manual.

## FEEDBACK FORM

