

SOLO LUGGAGE RACK KIT



P/N 2883403-XXX

APPLICATION

All 2014 and newer Indian® Motorcycle Cruiser and Bagger models

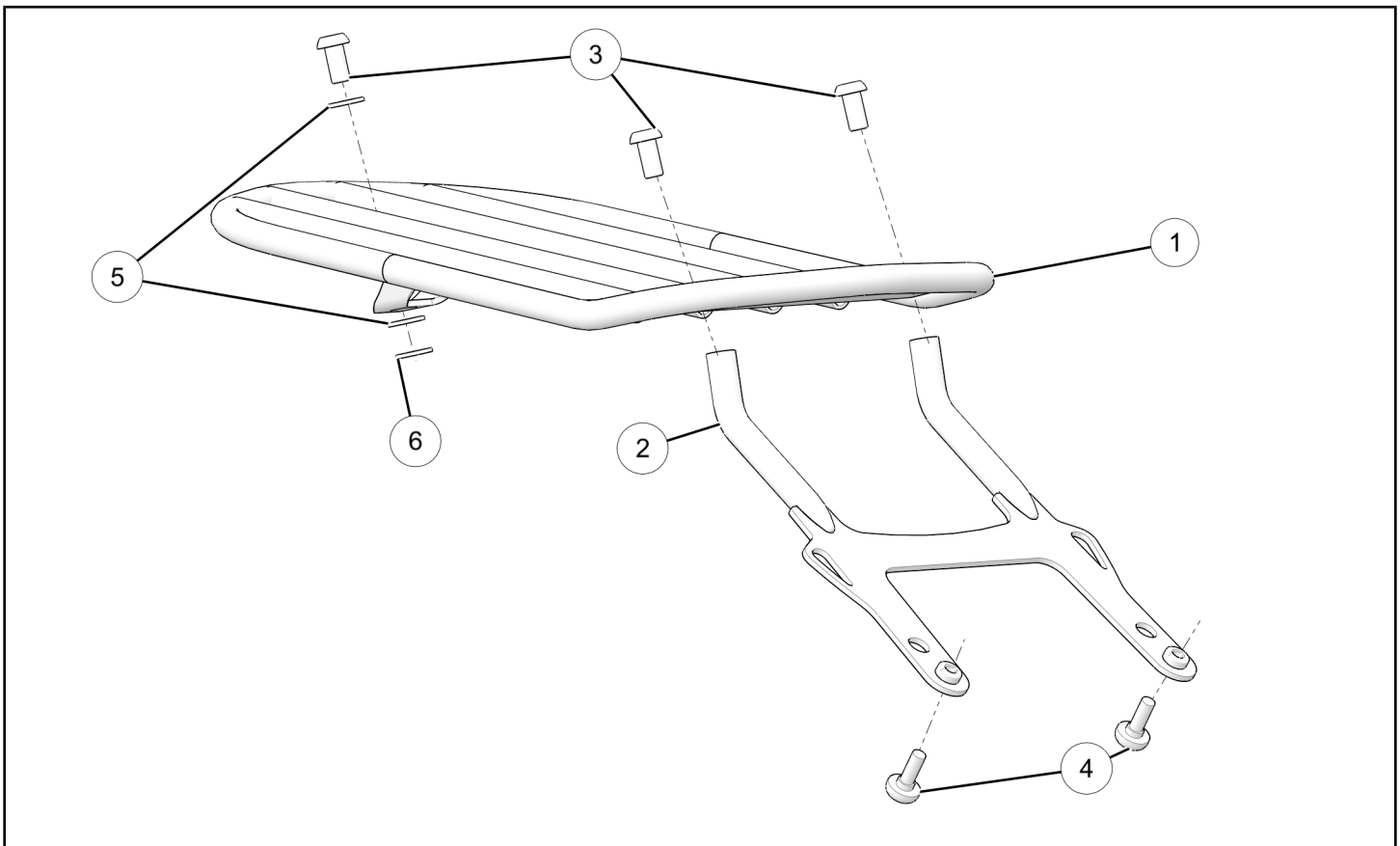
Verify accessory fitment at www.indianmotorcycle.com.

BEFORE YOU BEGIN

Read these instructions and check to be sure all parts and tools are accounted for. Please retain these installation instructions for future reference and parts ordering information.

KIT CONTENTS

This Kit includes:



NOTE

XXX = Indian® Color Code (For Example: 266 = Gloss Black)

REF	QTY	PART DESCRIPTION	PART NUMBER
1	1	Solo Rack	1023795-XXX
2	1	Bracket, Solo Rack Mount	1023794-XXX
3	3	Screw, Hex Button Head, M8 X 1.25 X 16	7519886
4	2	Screw, Hex Button Head, M8 X 1.0 X 15	7519774
5	2	Washer, Flat, 8.4 X 16 X 1.6	7556254

REF	QTY	PART DESCRIPTION	PART NUMBER
6	1	Washer, Nylon, 8.4 X 16.0 X 1.6	7555988
	1	Instructions	9924325

TOOLS REQUIRED

- Safety Goggles
- Socket Set, Hex Bit, Metric
- Torque Wrench
- Protective Cloth

IMPORTANT

Your Indian Solo Luggage Rack Kit is exclusively designed for your vehicle. Please read the installation instructions thoroughly before beginning. Installation is easier if the vehicle is clean and free of debris. For your safety, and to ensure a satisfactory installation, perform all installation steps correctly in the sequence shown.

ASSEMBLY TIME

Approximately 24 minutes

NOTE

Additional time may be required to accommodate other installed accessories.

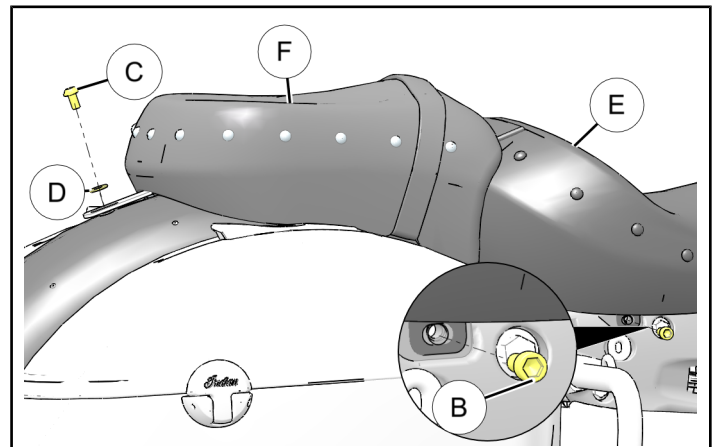
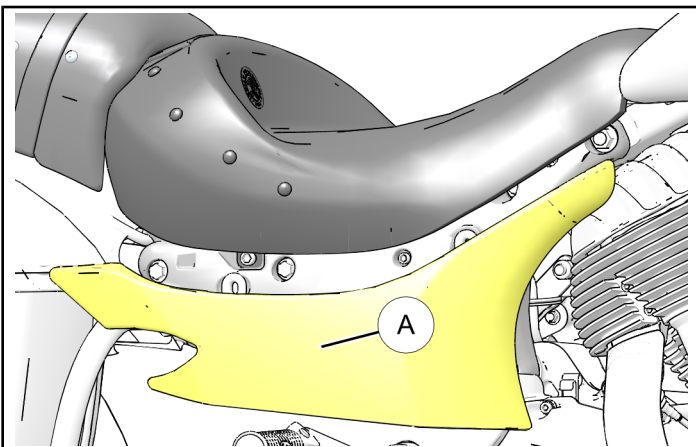
INSTALLATION INSTRUCTIONS

1. Turn key or ignition switch to OFF position and remove key. If equipped with keyless fob, remove fob from proximity of vehicle.
2. Ensure motorcycle is parked on a flat surface, kickstand is fully extended, and vehicle is stable prior to installation.
2. Remove driver seat (E) and **(if applicable)** passenger seat (F).
 - a. Remove two screws (B), one from each side of driver seat (E).
 - b. **(If applicable)** Remove screw (C) and washer (D) from passenger seat fender mount.

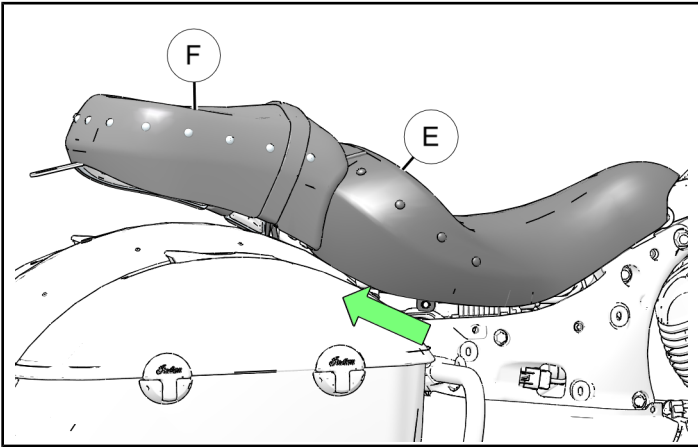
SEAT REMOVAL

1. Remove side panels (A).

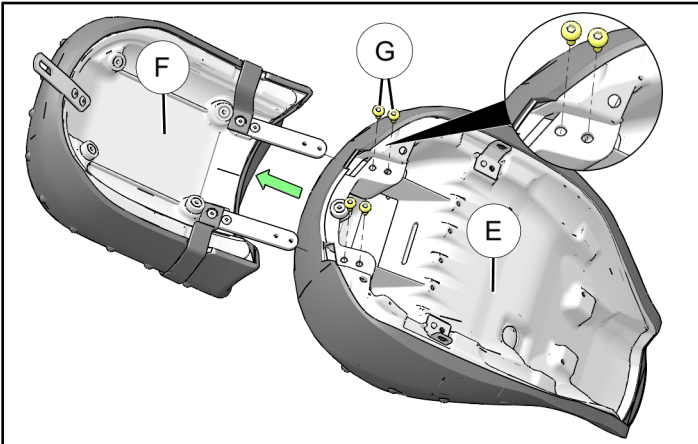
Side panels (A) are attached with built-in push pin rivets and can be taken off by hand if pulled firmly on both ends of panel.



- c. Lift and slide attached driver (E) and (if applicable) passenger (F) seats backwards.



- d. (If applicable) Separate passenger seat (F) from driver seat (E) by removing four screws (G) from underside of seats.

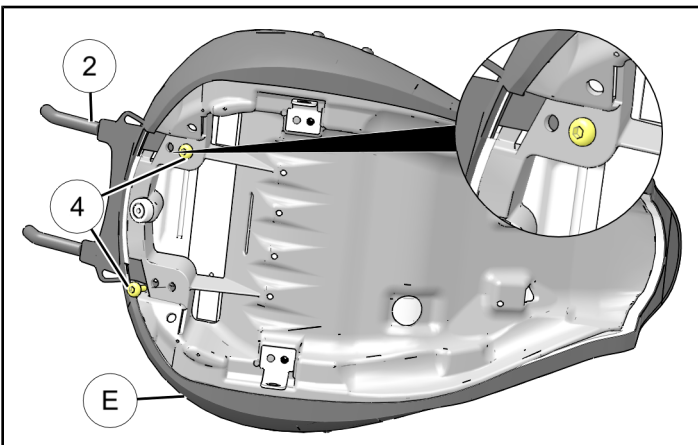


SOLO LUGGAGE RACK INSTALLATION

1. Slide luggage rack mount (2) into upside down driver seat (E) and install with two screws (4).
Torque two screws (4) to specification.

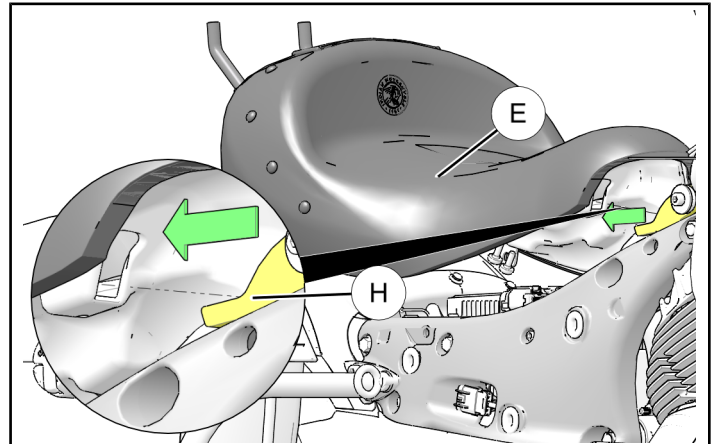
TORQUE

84 in. lb. (9.5 Nm)



2. Reinstall driver seat (E).

- a. Slide driver seat (E), with luggage rack mount (2) installed, forward until it slides into two hooks near gas tank.



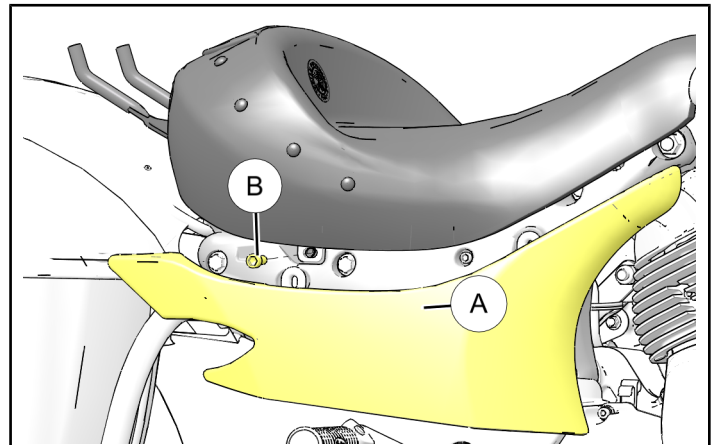
- b. Reinstall two screws (B), removed in Step 2a of Seat Removal section.

Torque two screws (B) to specification.

TORQUE

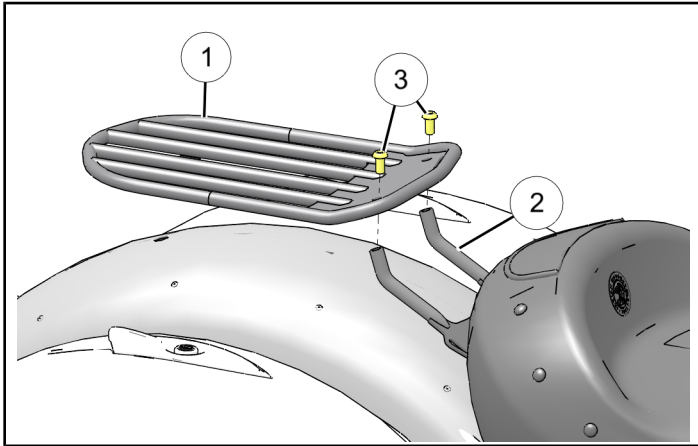
18 ft. lb. (24.5 Nm)

- c. Reinstall side panels (A), removed in Step 1 of Seat Removal section



3. Install solo luggage rack ① with protective cover placed over fender to prevent damage.

a. Loosely install solo luggage rack ① to rack mount ② with two screws ③.

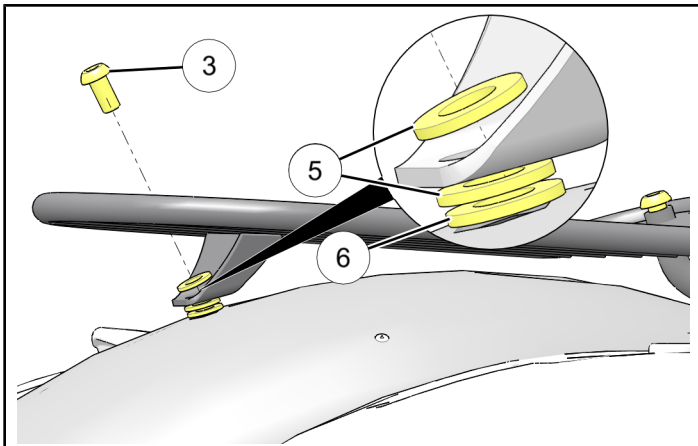


b. Install screw ③, two washers ⑤, and one nylon washer ⑥ to fender mount.

Torque screw ③ to specification.

TORQUE

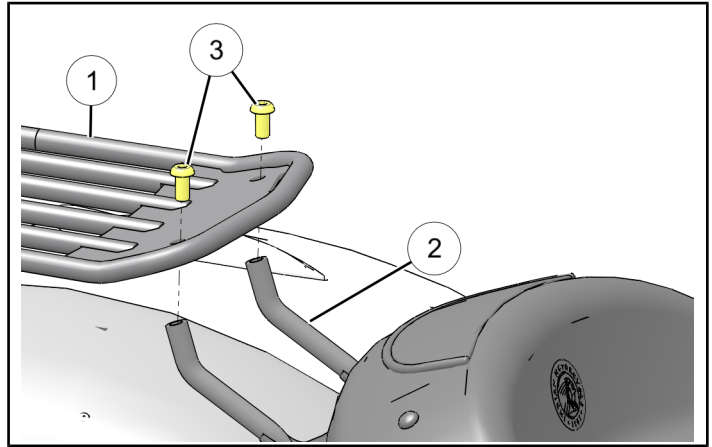
96 in.. lb. (11 Nm)



c. Torque two screws ③, connecting luggage rack ① to rack mount ②, to specification.

TORQUE

18 ft. lb. (24.5 Nm)



IMPORTANT

Re-torque fasteners after 500 miles (800 km) of riding.

FEEDBACK FORM

A feedback form has been created for the installer to provide any comments, questions or concerns about the installation instructions. The form is viewable on mobile devices by scanning the QR code or by clicking [HERE](#) if viewing on a PC.

FEEDBACK FORM

