

DRIVER BACKREST MOUNT KIT



P/N 2884178

APPLICATION

Verify accessory fitment at www.indianmotorcycle.com.

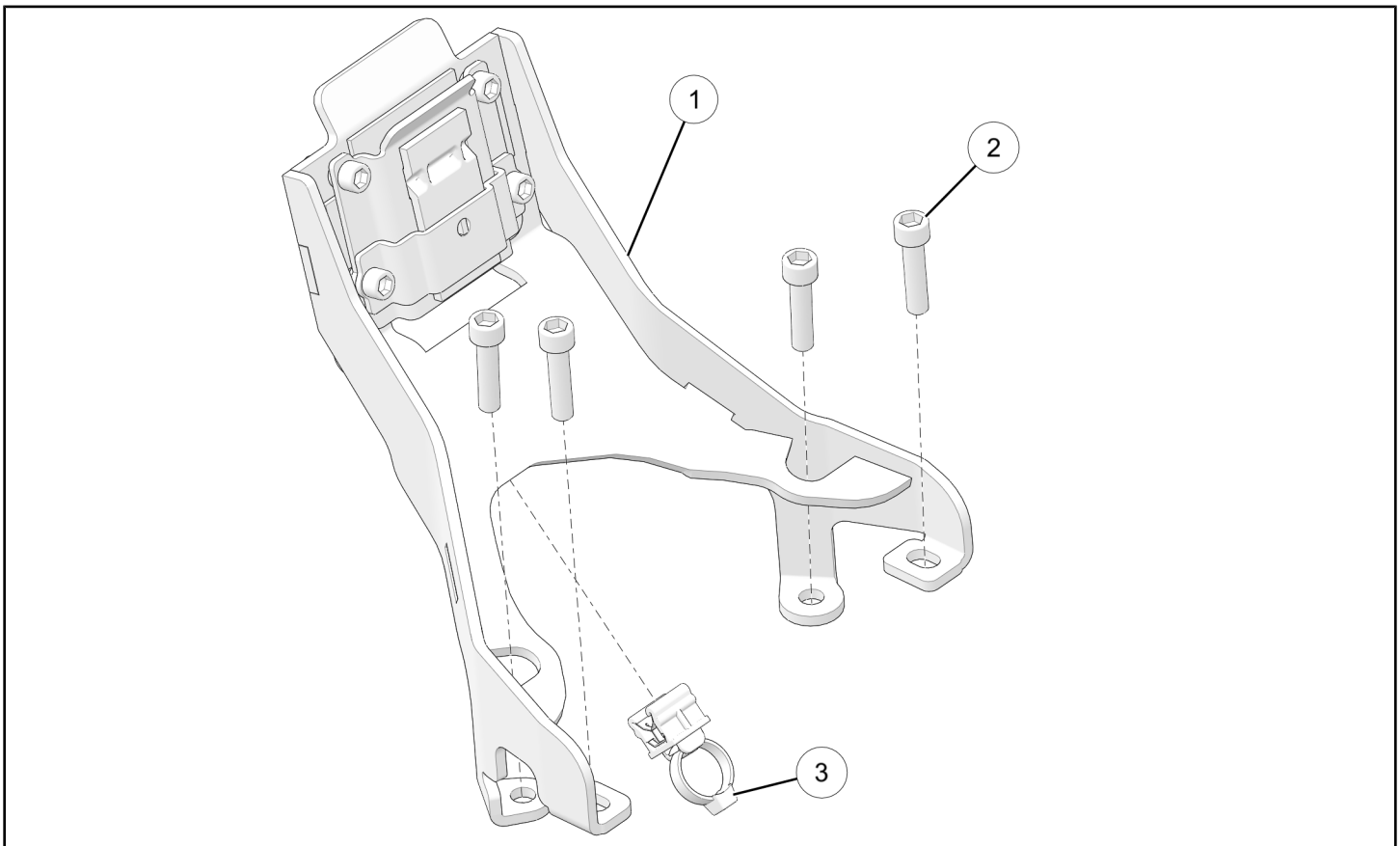
BEFORE YOU BEGIN

Read these instructions and check to be sure all parts and tools are accounted for. Please retain these installation instructions for future reference and parts ordering information.

REQUIRED SOLD SEPARATELY

Only parts for installation of the Indian Motorcycle® Driver Backrest Mount Kit are included. For complete installation, a driver backrest kit is also required (sold separately):

KIT CONTENTS



REF	QTY	PART DESCRIPTION	P/N AVAILABLE SEPARATELY
1	1	Driver Backrest Mount Assembly	-
2	4	Screw, M6 X 1.0 X 25	7517259
3	1	Cable tie, Clip-on,	7081824

TOOLS REQUIRED

- Safety Glasses
- Socket Set, Hex Bit, Metric, Long
- Socket Set, Hex Bit, Metric
- Torque Wrench

IMPORTANT

Your Indian Motorcycle® Driver Backrest Mount Kit is exclusively designed for your vehicle. Please read the installation instructions thoroughly before beginning. Installation is easier if the vehicle is clean and free of debris. For your safety, and to ensure a satisfactory installation, perform all installation steps correctly in the sequence shown.

INSTALLATION INSTRUCTIONS

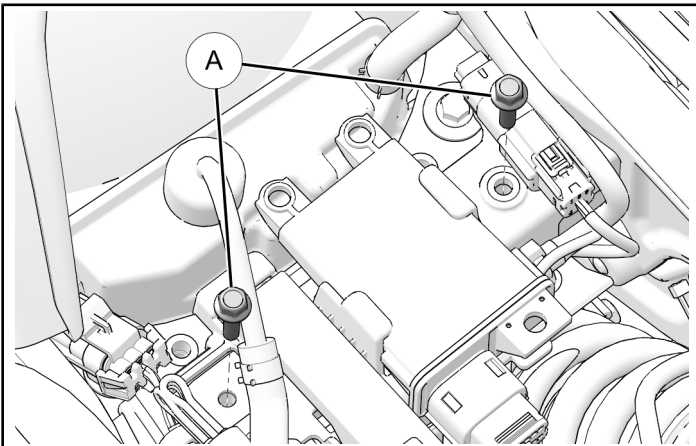
VEHICLE PREPARATION

GENERAL

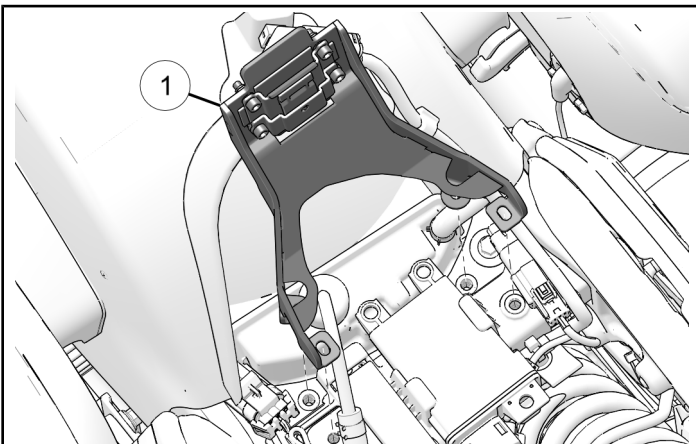
1. Turn key or ignition switch to **OFF** position and remove key. If equipped with keyless fob, remove fob from proximity of vehicle.
2. Ensure motorcycle is parked on a flat surface, kickstand is fully extended, and vehicle is stable prior to installation.
3. Remove side covers and seat as per owner's manual or relevant kit instructions. Set removed parts aside for reassembly.

BACKREST MOUNT INSTALLATION

1. Remove and discard two screws **A**.



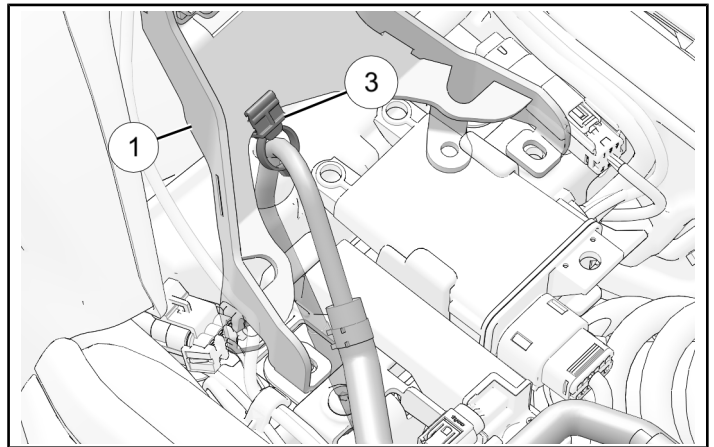
2. Without pinching any wires underneath brackets, place backrest assembly **1** onto frame.



3. Route any surrounding wire harnesses in front of backrest mount **1** as to not allow wires to sit over or on top of mount. Route fuel line through cable tie clip **3** and secure to mount as shown.

⚠ WARNING

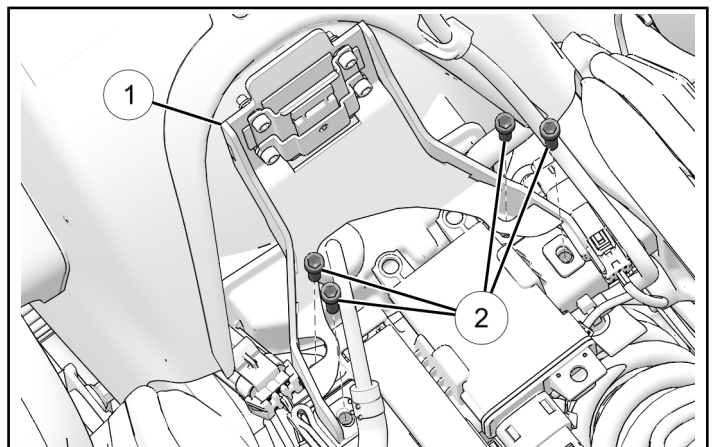
Wiring harnesses must be routed properly or severe damage to your vehicle may occur.



4. Secure backrest mount **1** with four screws **2** as shown. Torque screws to specification.

TORQUE

Backrest Mount Screws **2**:
84 in-lbs (9.5 N·m)



VEHICLE REASSEMBLY

GENERAL

1. Reinstall seat and side covers as per owner's manual.

FEEDBACK FORM

A feedback form has been created for the installer to provide any comments, questions or concerns about the installation instructions. The form is viewable on mobile devices by scanning the QR code or by clicking [HERE](#) if viewing on a PC.

WARNING

Ensure tabs are securely engaged in seat base pockets when installing seat. Failure to install tabs may cause seat to come loose and may lead to personal injury or death.

2. Re-torque all fasteners after 500 miles.

