

# SADDLEBAG AUDIO SPEAKER KIT



**P/N 2882212**

---

## **APPLICATION**

Indian Heavy Weight with Hard Saddlebags

## **BEFORE YOU BEGIN**

Read these instructions and check to be sure all parts and tools are accounted for. Please retain these installation instructions for future reference and parts ordering information.

## **KIT CONTENTS**

The following kit is required for installation on **Indian® Springfield™**.

- **2882216**-Audio, Amp, 2Vpp, No Fairing

The following kit is required for installation on **Indian® Chieftain® with infotainment**.

- **2882214**-Audio, Amp, 4-Channel

The following kit is required for installation on **Indian® Chieftain® without infotainment**.

- **2882231**-Audio, Amp, 4Vpp, Fairing

The following kits are required for installation on **Indian® Roadmaster®**

- **2882215**-Audio, Amp, Saddlebag/Trunk, Fairing

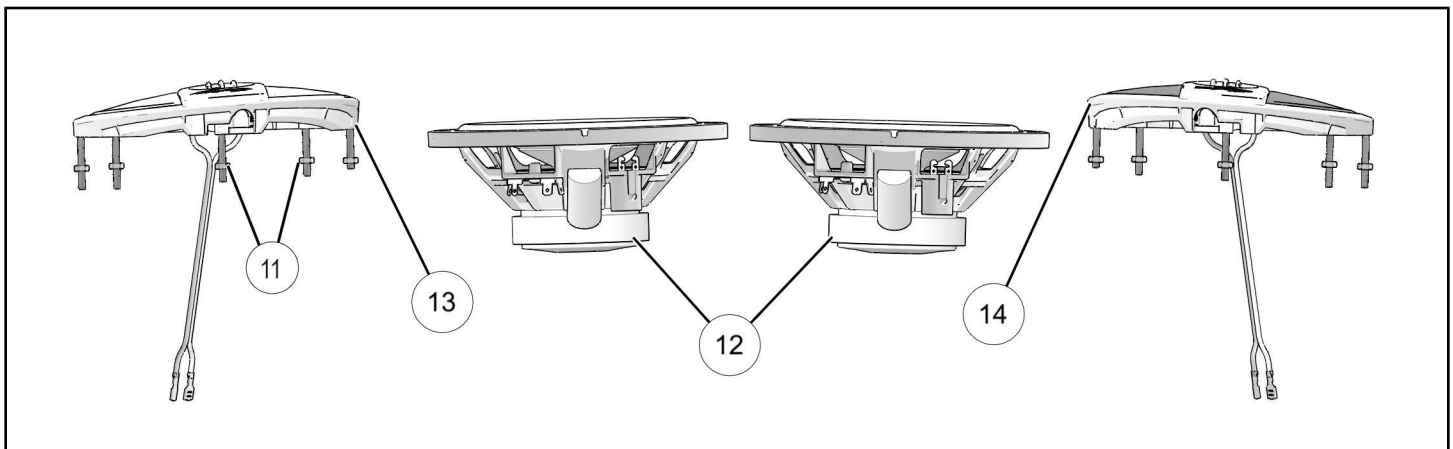
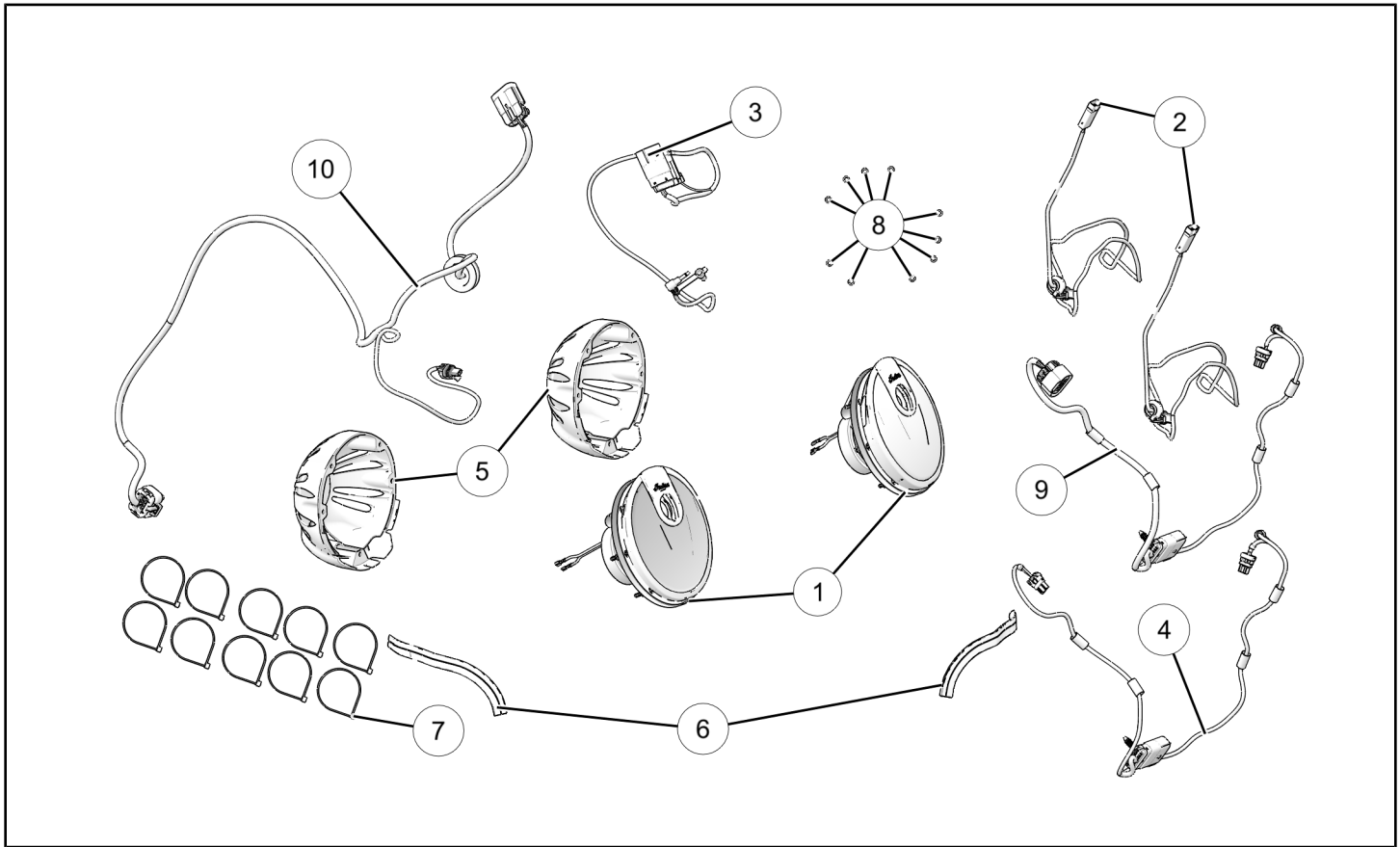
The following kit is required on **ALL Motorcycles**

- **2879656-XXX**-Lid, Audio, Saddlebag (in optional color)

The following kit is recommended on **Indian® Springfield™**

- **2880930**- Nacelle Mount Kit

This Kit includes:

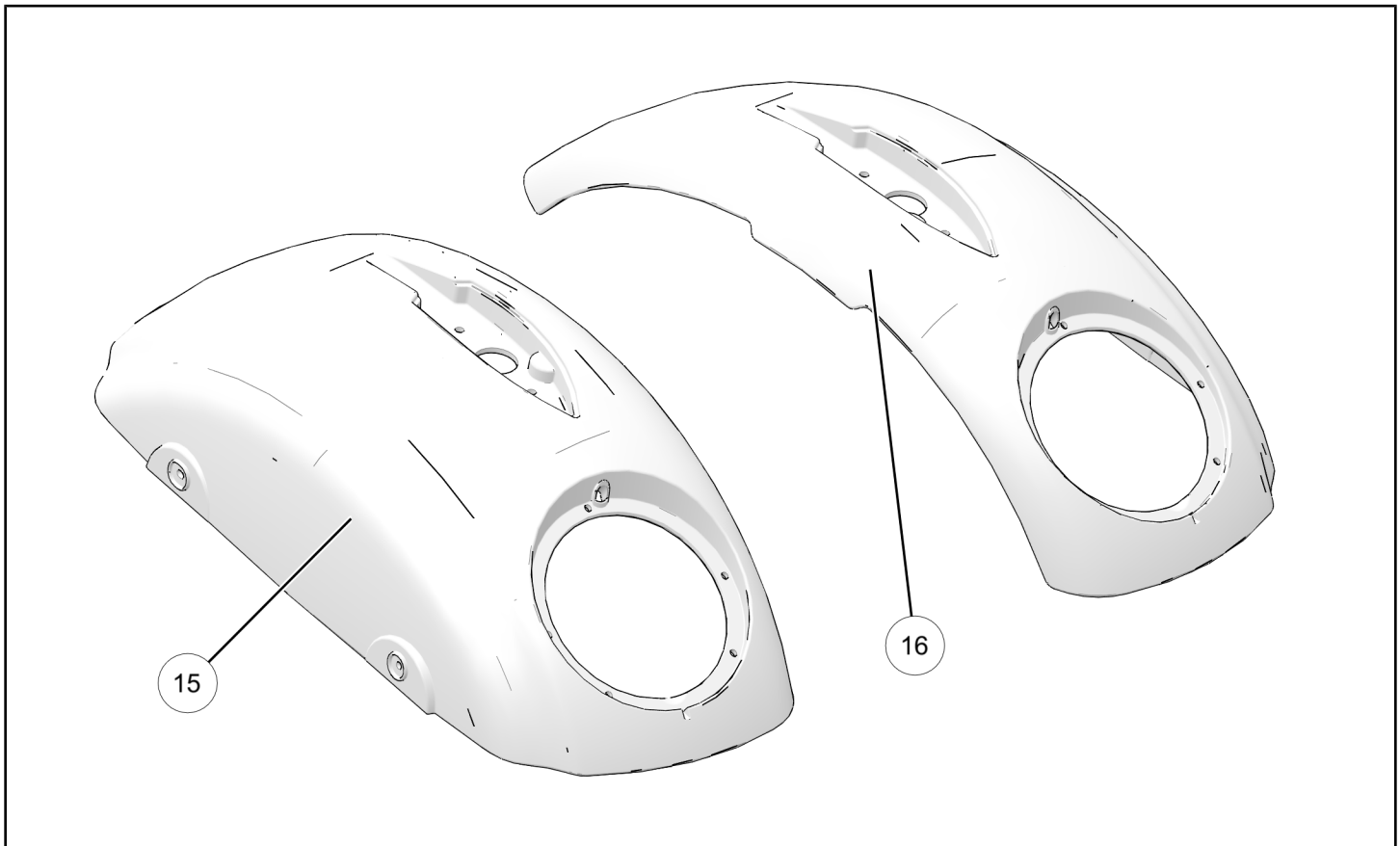


REF	QTY	PART DESCRIPTION	PART NUMBER
1	1	Audio Assembly, Speakers, Grille	2413054
2	2	Harness - HPSBA, Saddlebag, V3	2413775
3	1	Front Harness, HPSBA	2413057
4	1	Audio Harness, 7 inch	2413441
5	2	Speakers Cover	5452062
6	6	Wire Cover	5522014
7	10	Cable Tie	7080138
8	10	Rubber Washer	7556869

REF	QTY	PART DESCRIPTION	PART NUMBER
9	1	Harness - HPSBA, Seat	2413055
10	1	Harness - HPSBA - Saddlebag, LH	2413058
11	10	.Nut, Hex Head, M4	-
12	2	.Speaker, Mid, Bag Audio, 4 Ohm	4015252
13	1	.Bezel, Speaker, LH	5452072
14	1	.Bezel, Speaker, RH	5452073
	1	Instructions	9927380

Also Required for installation of this kit (Sold Separately

**P/N 2879656-XXX**



**NOTE**

XXX = Indian® Color code (For Example: 266 = Black)

REF	QTY	PART DESCRIPTION	PART NUMBER
15	1	Lid, Saddlebag, Audio, RH	5450594
16	1	Lid, Saddlebag, Audio, LH	5450593

## TOOLS REQUIRED

- Drill
- Hole Saw: 1 3/8 in.
- Drill Bits: 5/8 in. and 7 mm
- Torque Wrench

- Socket Set, Hex Bit, Metric
- Socket Set, Metric

## IMPORTANT

Your Indian Saddlebag Audio Speaker Kit is exclusively designed for your vehicle. Please read the installation instructions thoroughly before beginning. Installation is easier if the vehicle is clean and free of debris. For your safety, and to ensure a satisfactory installation, perform all installation steps correctly in the sequence shown.

## ASSEMBLY TIME

Approximately 90 minutes

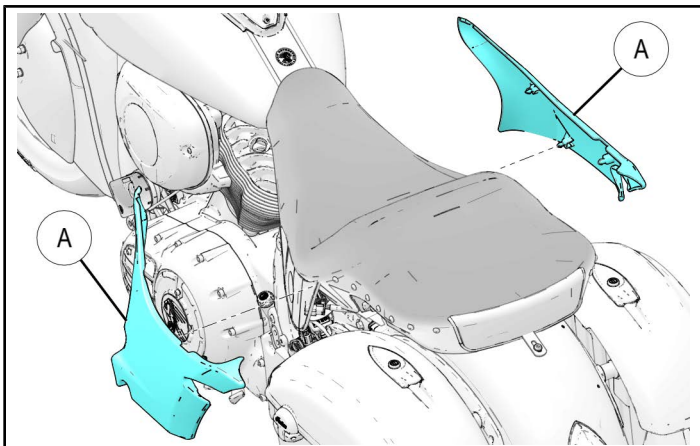
## INSTALLATION INSTRUCTIONS

### Vehicle Preparation Instructions

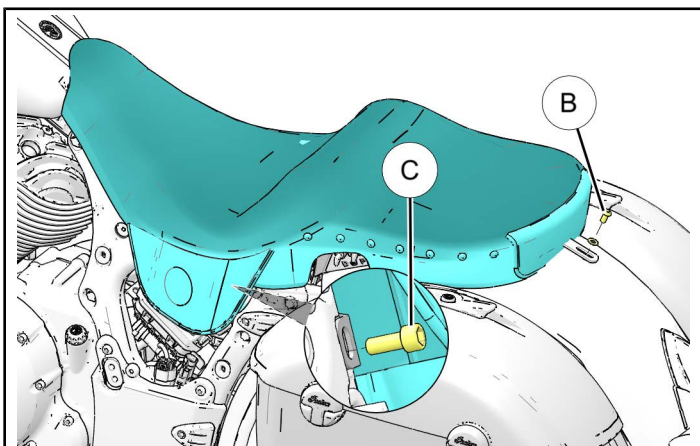
1. Ensure ignition is off and vehicle is cooled down.
2. Install amplifier, from one of four kits listed above, per instructions in that kit.

### DISASSEMBLY

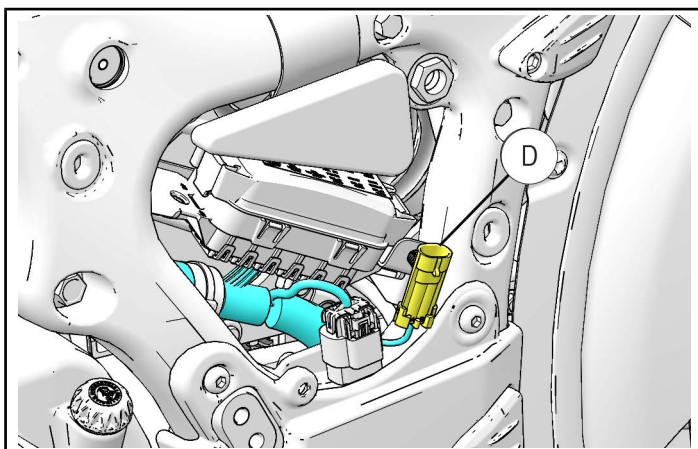
1. Gently pull outward to remove right and left hand side covers (A).



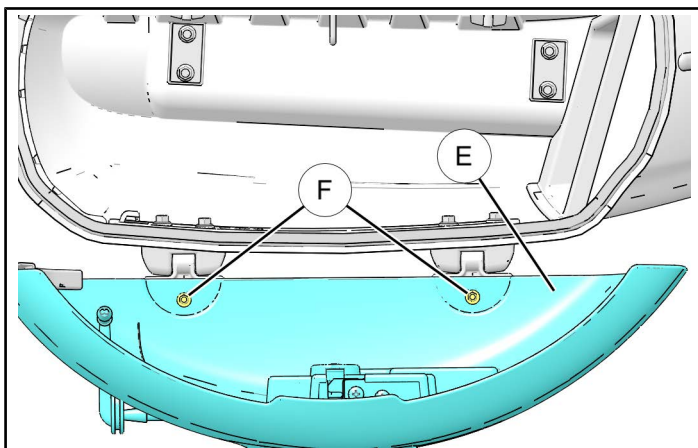
2. Remove screws (B) and (C), and remove seat.



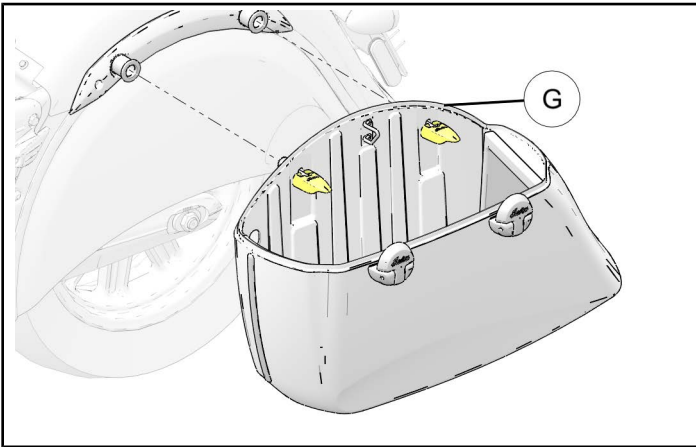
3. Disconnect one electrical connector (D) on each side for saddlebag wiring.



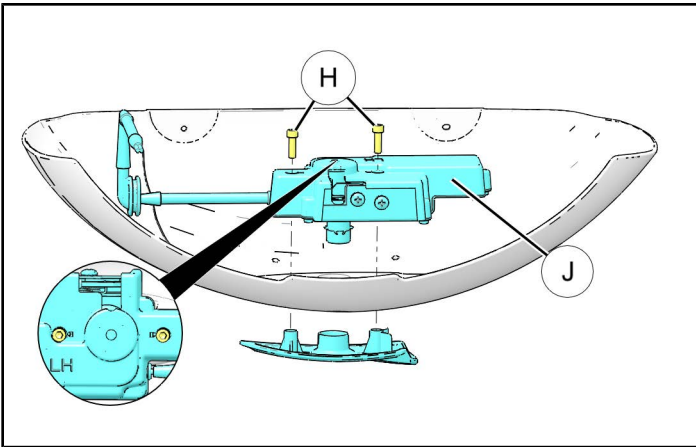
4. Open saddlebag lid (E). Remove two screws (F) from lid hinges and remove lid. Set lid aside on a non-scratching surface. Repeat for second saddlebag lid.



5. Remove saddlebags ⑥ as per owner's manual and set aside.



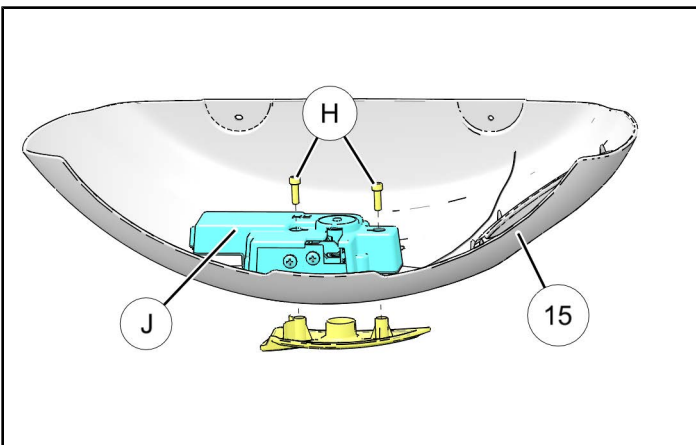
6. On RH saddlebag lid, remove two hex head screws ⑧ from saddlebag lock assembly ① and remove lock assembly. Note routing of wires and remove saddlebag lid lock wire harness from channel in lid.



7. Transfer RH lock assembly ① to new RH saddlebag lid ⑮, attach with two bolts ⑧. Torque bolts to specification.

### TORQUE

84 in. lbs. (9 Nm)



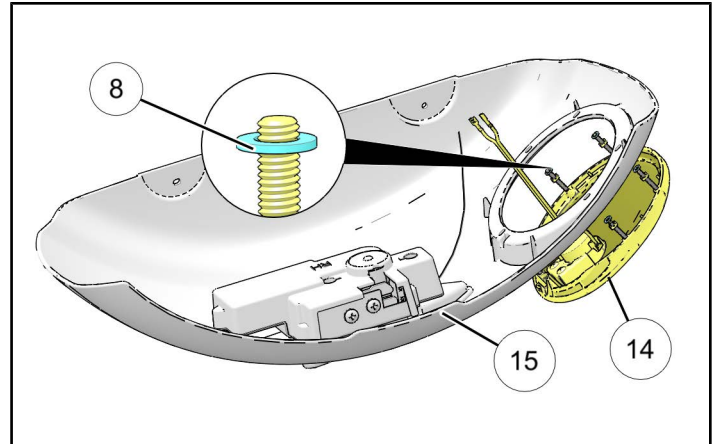
8. Repeat Steps 6 and 7 for LH Saddlebag lid ⑯.

## INSTALLATION OF LIDS AND SPEAKERS

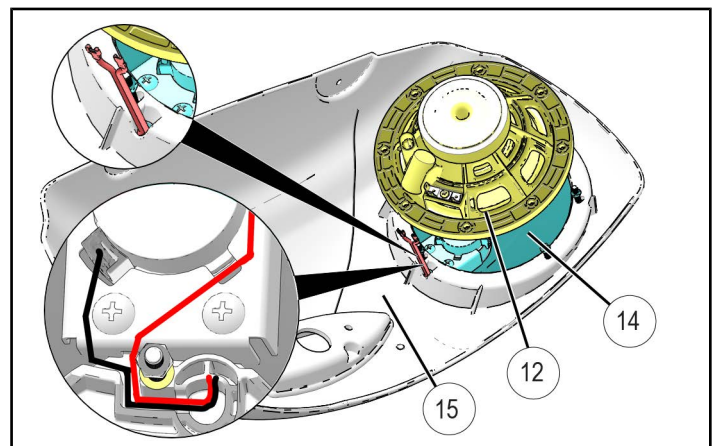
1. Install five rubber washers ⑧ to studs on RH bezel assembly ⑭.

### NOTE

Left hand and right hand bezels are different. Ensure correct side is being installed. Bezel assembly is installed from outside of lid with wires inside of lid as shown. Tweeter is oriented at top of speaker opening when mounted on vehicle. Bezel will mount flush into saddlebag lid.

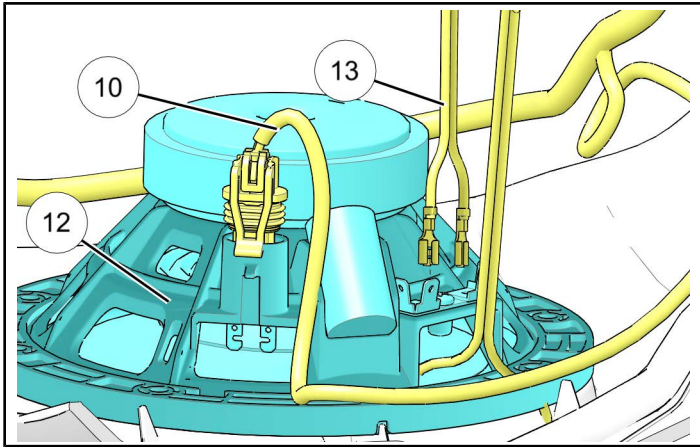


2. Install RH bezel ⑭ into RH saddlebag lid ⑮. Route tweeter wire from RH bezel ⑭ as shown and feed through hole in RH saddlebag lid ⑮. Loosely install speaker ⑫ from underside of lid onto studs. Position speaker so tweeter wires reach terminals on speaker and notch in speaker housing (shown with arrow) lines up with a rib on saddlebag lid.

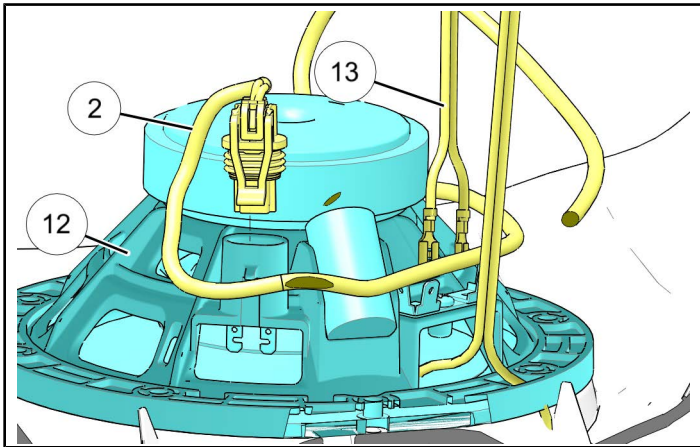


3. Follow appropriate step for your amplifier location.

- a. For models **WITH** amplifier mounted inside LH Saddlebag: Locate harness ⑩, and attach harness connector to speaker in LH saddlebag lid as shown. Connect tweeter wires ⑬ to speaker ⑫ terminals as shown.



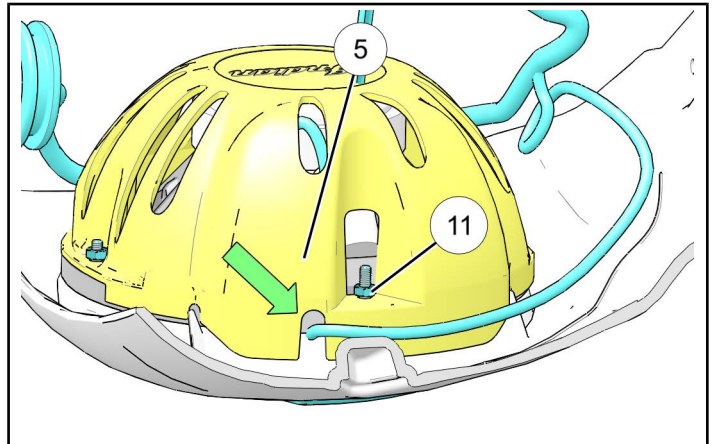
- b. For models **WITHOUT** amplifier inside LH saddlebag: Locate harness ②, and attach harness to speaker in LH saddlebag lid as shown. Connect tweeter wires ⑬ to speaker ⑫ terminals as shown.



4. Install speaker cover ⑤ to rear of speaker. Route speaker wire, installed in previous Step, through large “U” cutout (marked with arrow) on speaker cover. Install five nuts ⑪ on studs. Torque evenly to specification. Do not over torque to avoid cracking speaker housing.

## TORQUE

8 in. lbs. (1 Nm)



5. Templates are located on last pages of this instruction. Locate REFERENCE DIMENSION on each template page.

Verify templates were printed to proper scale by using ruler or tape measure to verify REFERENCE DIMENSION is exactly 4 inches.

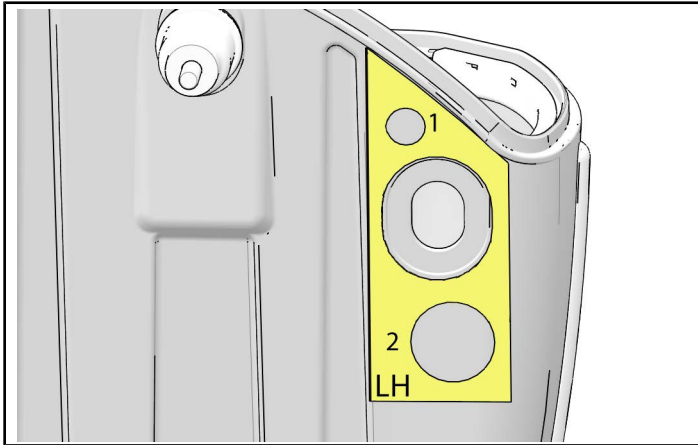
## IMPORTANT

If your measurement is not exactly 4 inches, then reprint template pages from electronic file using print setting “**Actual Size**” (not “Fit”) to obtain proper 1:1 scale.

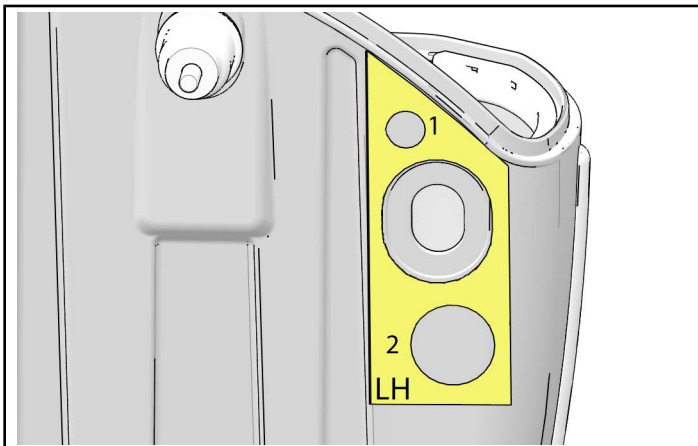
Electronic file available from your **Authorized Polaris Dealer**.

## 6. Drilling hole in Left Saddlebag

- a. For models **WITHOUT** amplifier inside LH saddlebag: Using LH template provided at end of these instructions, place template so oblong hole is aligned with saddlebag lock hole on outside of saddlebag, in hole marked 1, drill a  $\frac{5}{8}$  inch (16 mm) diameter hole.

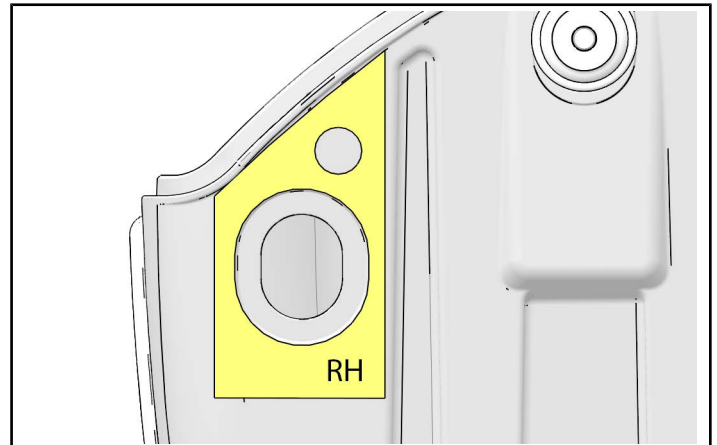


- b. For models **WITH** amplifier mounted inside LH Saddlebag: Using LH template provided at end of these instructions, place template so oblong hole is aligned with saddlebag lock hole on outside of saddlebag, in hole marked 2, cut a  $1\frac{3}{8}$  inch (35 mm) diameter hole in LH saddlebag with a hole saw.



## 7. Drilling a hole in Right Saddlebag

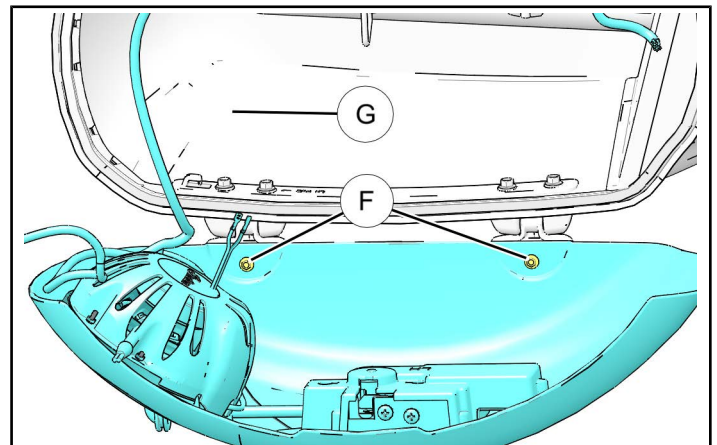
- a. Using RH template provided at end of these instructions, lay template so oblong hole is aligned with saddlebag lock hole on outside of saddlebag, and drill  $\frac{5}{8}$  inch (16 mm) diameter hole in RH saddlebag.



8. Install new audio lids (with speakers installed) onto each saddlebag ⑥ using retained screws ⑦. Torque screws to specification.

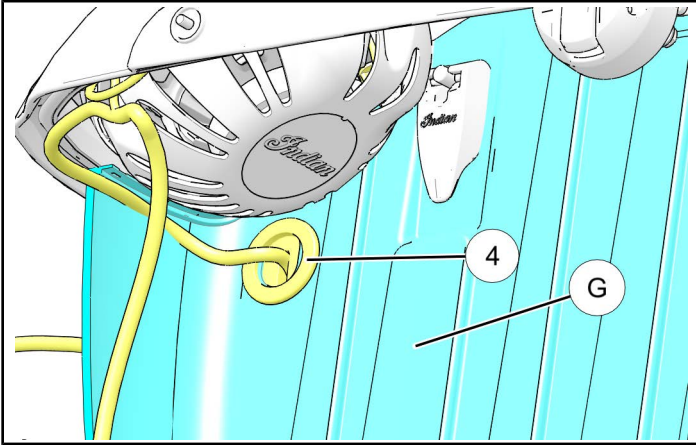
### TORQUE

45 in. lbs. (5 Nm)

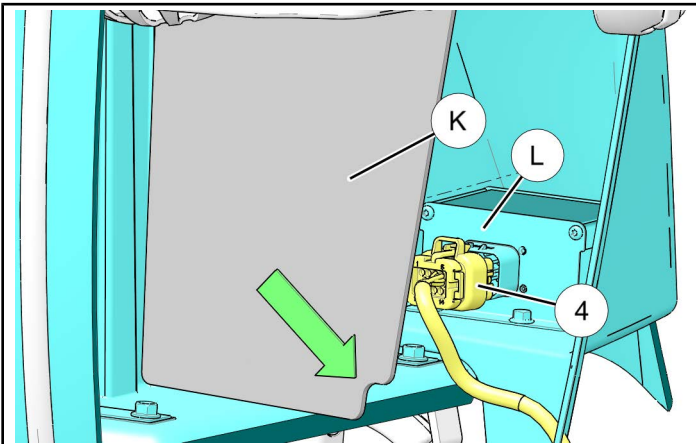


9. For models **WITH** amplifier mounted inside **LH Saddlebag ONLY:**

- a. On left saddlebag ⑥, route Audio Harness wires ④ through new hole and install attached grommets to saddlebag.



- b. Gently pull and remove amplifier cover panel ① to access amplifier. Plug amplifier connector ④ into amplifier ①. Reinstall cover ①, ensuring wire is run through notch in cover (marked with arrow).

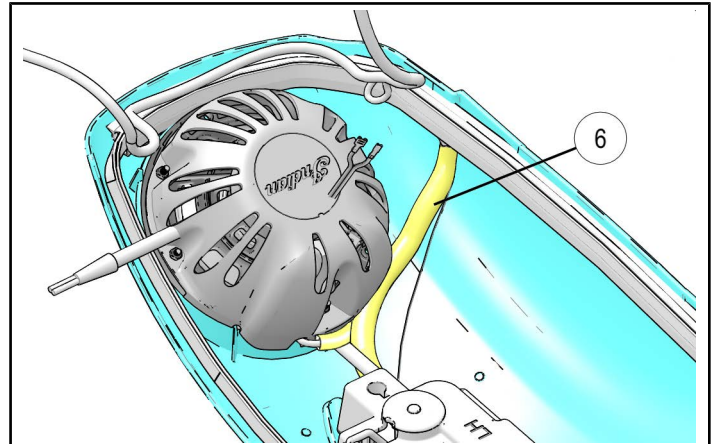


10. Compare location of saddlebag lock wire in stock lids and use Wire Channel ⑥ provided in kit to affix saddlebag lock wires inside new lids.

**NOTE**

For foam wire channel, ensure channel is not too close to hinge as it may contact gasket around top of saddlebag. Clean mating surfaces and press channel firmly onto lid. Support lid from opposite side to ensure hinges are not overstressed when pressing channel into place. Protect painted finish on top side of lid with a soft cloth.

11. Cut a wire channel ⑥ in half and place speaker wires into wire channel. Clean mating surfaces, remove backing paper and affix wire channel to inside of lid. Repeat step for other saddlebag.



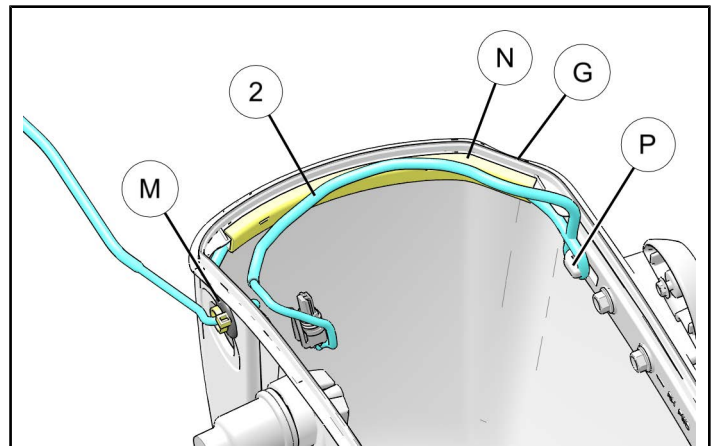
12.

- a.

Install speaker wires ② inside saddlebag ⑥ through grommet ① into another wire channel ⑥. Affix wire channel into saddlebag just below existing wire channel ①. Tuck speaker wire ② into plastic clip ② near hinge with lock wires as shown (RH saddlebag shown).

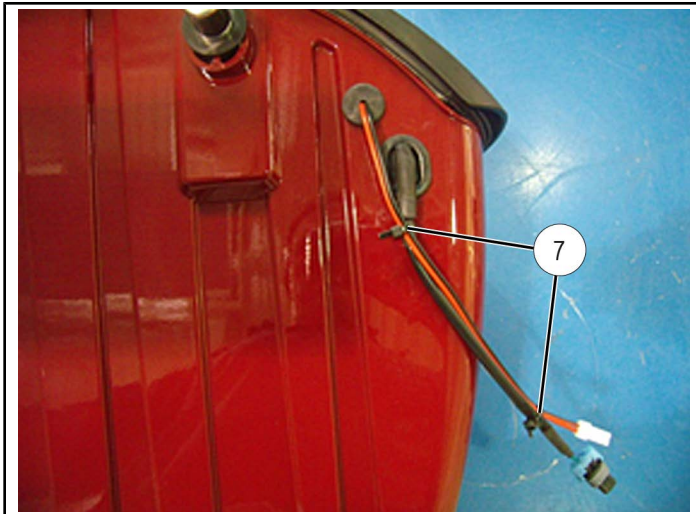
**NOTE**

Ensure adequate slack to open and close lid without pulling or pinching wires. Secure speaker wire to plastic clip. Repeat step for other saddlebag.





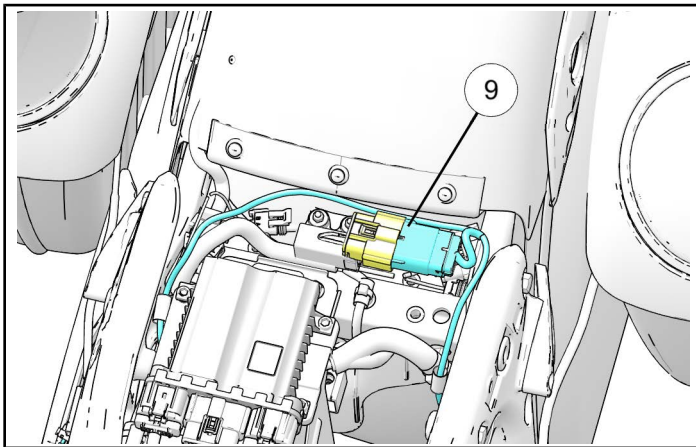
13. Use two cable ties ⑦ to secure speaker wires to lock wire harness between saddlebag and connector. Repeat step for other saddlebag.



14. Install saddlebags on vehicle and reconnect saddlebag lock electrical connector.

15.

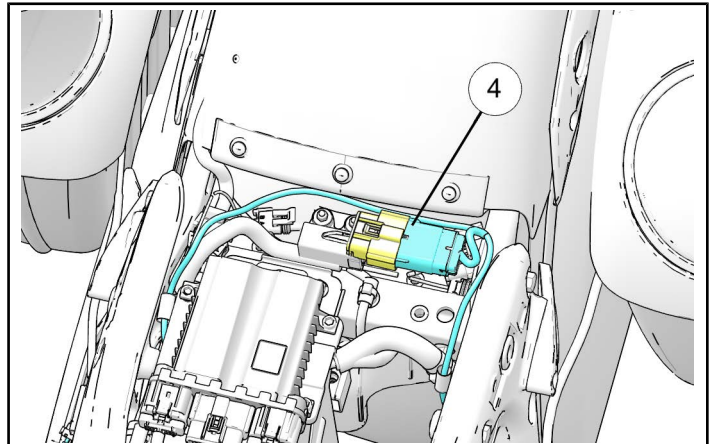
a. **For models WITH amplifier mounted inside LH Saddlebag:** Locate seat harness ⑨ and connect it to 16-pin connector under seat.



**NOTE**

For models with trunk audio AND saddlebag audio, Splitter Kit PN 2882309 is needed. Follow kit instructions to connect trunk audio and saddlebag audio to 16-pin connector under seat.

b. **For models WITHOUT amplifier mounted inside LH Saddlebag:** Locate seat harness ④ and connect it to 16-pin connector under seat.

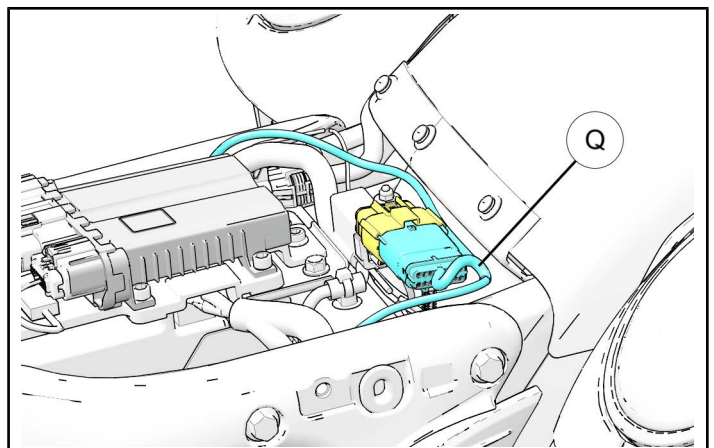


**NOTE**

For models with trunk audio AND saddlebag audio, Splitter Kit PN 2882309 is needed. Follow kit instructions to connect trunk audio and saddlebag audio to 16-pin connector under seat.

16. There are two wires coming from under-seat harness installed in previous step. Longer wire is for RH speaker and shorter wire is for LH speaker. Identify RH and LH wires.

17. Route connector at end of LH channel ⑩ of under-seat harness through frame and out left side of vehicle next to saddlebag electrical connector and secure it to LH saddlebag lock harness connector with a nylon cable tie.

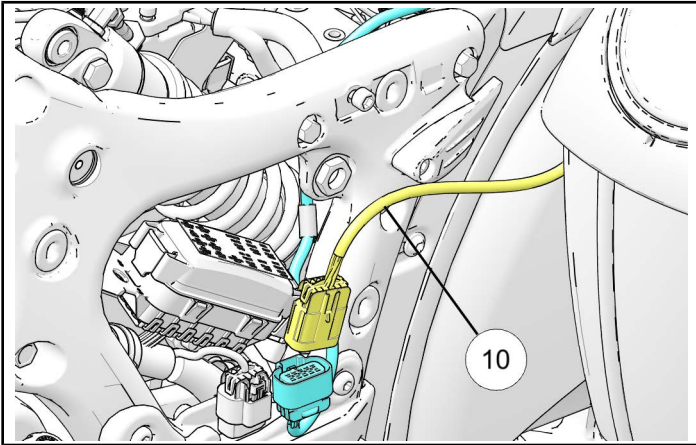


18.

- a. **For models WITH amplifier mounted inside LH Saddlebag:** Connect LH speaker wire ⑩ coming from LH saddlebag to LH connector coming from under seat.

**NOTE**

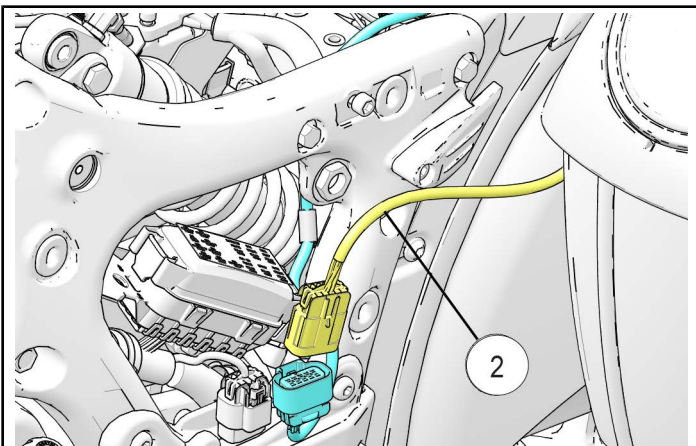
Use nylon cable ties to secure wiring. Be sure wiring won't get pinched in shock or other moving components.



- b. **For models WITHOUT amplifier mounted inside LH Saddlebag:** Connect LH speaker wire ② coming from LH saddlebag to LH connector coming from under seat.

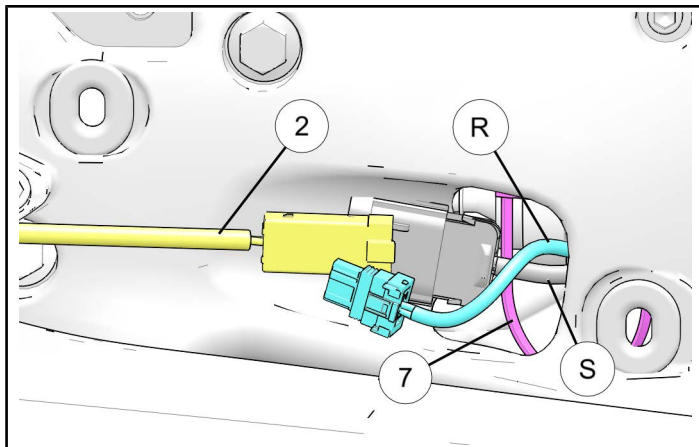
**NOTE**

Use nylon cable ties to secure wiring. Be sure wiring won't get pinched in shock or other moving components.



19. Secure RH harness ⑧ along positive battery cable ⑤ as shown in figure. Secure to battery cable with two cable ties ⑦. Route RH connector at end of RH harness through frame and out window on RH side of frame next to RH saddlebag lock harness connector. Secure RH channel to RH saddlebag lock harness connector using a cable tie ⑦.

20. Connect RH speaker wire ② coming from RH saddlebag to RH connector coming from under seat.



21. Reinstall seat and torque fasteners to specification.

**TORQUE**

18 ft. lbs. (24.3 Nm)

22. Reinstall side covers, making sure no wiring is pinched.

**NOTE**

Upon completion, customers **WITH AN AMPLIFIER** in LH saddlebag will have two unused harnesses: ② and ④. Customers **WITHOUT AMPLIFIER** in LH saddlebag will have two unused harnesses: ⑨ and ⑩.

## MODELS WITHOUT FAIRING

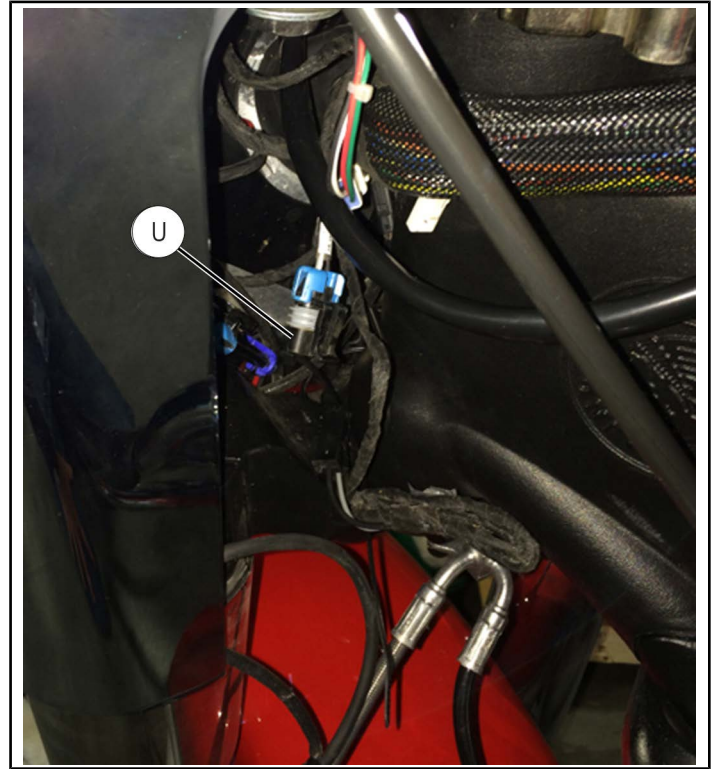
If you have a fairing model, your installation is complete. If not, continue to steps for installing 3.5mm audio jack.

### Installing 3.5mm audio jack

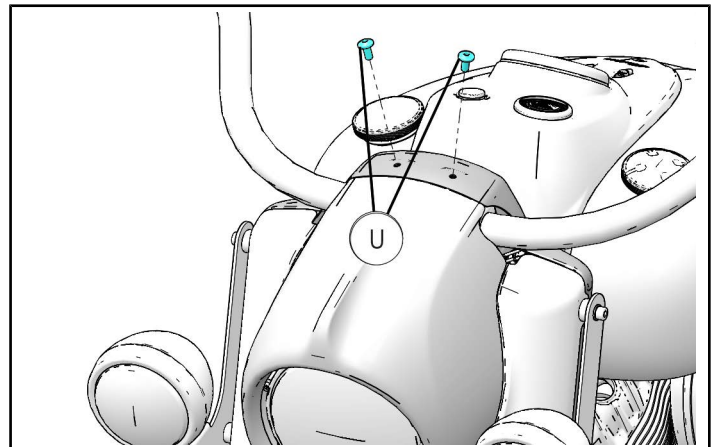
1. Locate unused 16-pin connector ①, without opening headlight housing, by turning handlebars to one side. Connector will be tucked into headlight housing as shown in figure. If connector cannot be located with this method, skip to Step 26 for instructions on how to gain access. Otherwise, continue to Step 25.



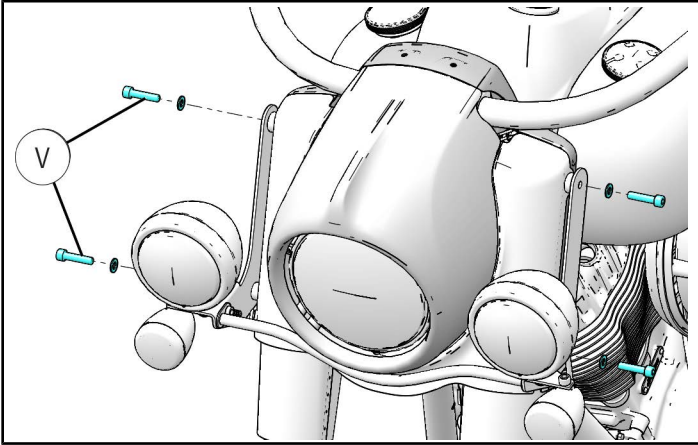
2. Attempt to locate un-used power connector ②, without opening headlight housing, by turning handlebars to one side. Connector will be tucked into headlight housing. See figure. If 16-pin connector and power connector are both accessible, skip to Step 8. Otherwise, access can be gained in Steps 3-7.



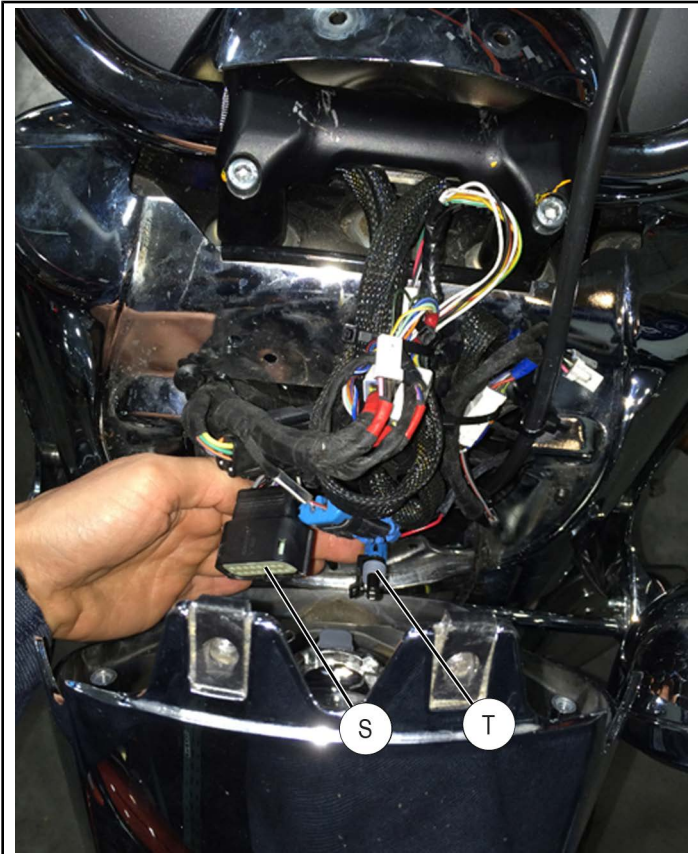
3. If applicable, remove windshield.
4. Remove two bolts ③ on top of headlight housing.



- Remove four bolts (V) from sides of headlight housing.

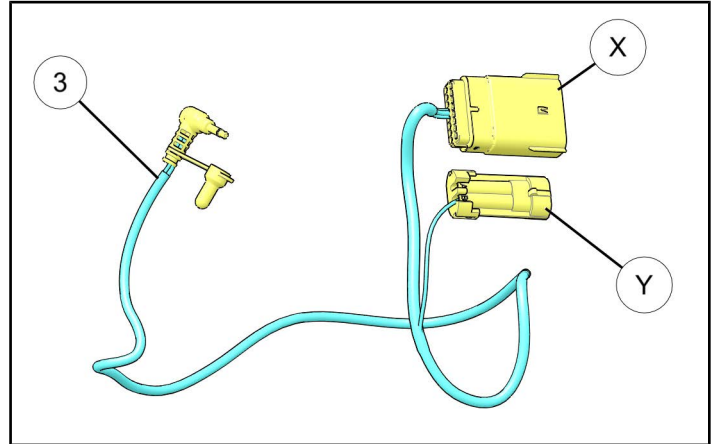


- Pull headlight housing open, but do not fully remove halves of shell. Open headlight housing until available 16-pin connector (S) and available power connector (T) in headlight bucket are accessible.



- Connect 16-pin connector (X) on Front Harness (3) to available 16-pin connector in headlight housing (T).

- Connect power connector (Y) on Front Harness (3) to available power connector in headlight housing (U).



- Route 3.5mm audio jack (4) on front harness along brake line and out of headlight housing. Determine amount of length required to reach your audio device, and secure remaining wire to brake line with a cable tie (7) inside headlight housing. Ensure front harness wire will not interfere with steering.

**IMPORTANT**

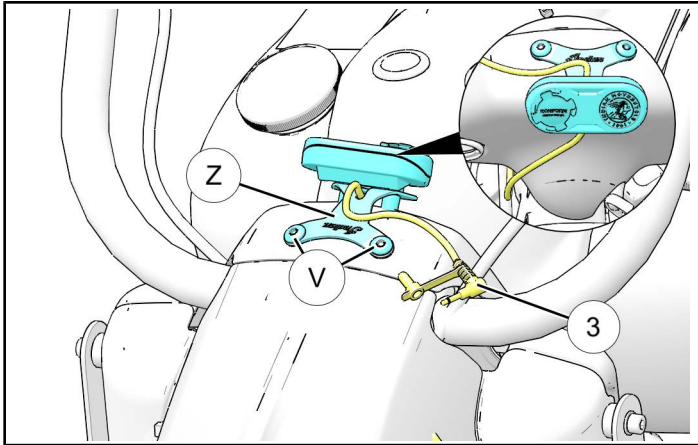
Cycle steering lock to lock to ensure proper operation.



10. An accessory phone mount is strongly recommended. If Accessory Nacelle Mount (Kit PN 2880930) is installed, route 3.5 mm jack ③ through key hole on Nacelle Accessory Mount bracket ②.

**NOTE**

Hinge must be removed from bracket in order to route connector through Nacelle Accessory Mount.



11. Reinstall headlight housing, if removed. Tighten two bolts ⑤ on top of headlight housing four bolts ⑥ on sides of headlight housing. Torque to specification.

**TORQUE**

For Top bolts: 36 in. lbs. (4 Nm)  
For Side bolts: 18 ft. lbs. (24 Nm)

**THIS PAGE INTENTIONALLY BLANK; TEMPLATE ON NEXT PAGE**

