

TRUNK AUDIO KIT



P/N 2880958

APPLICATION

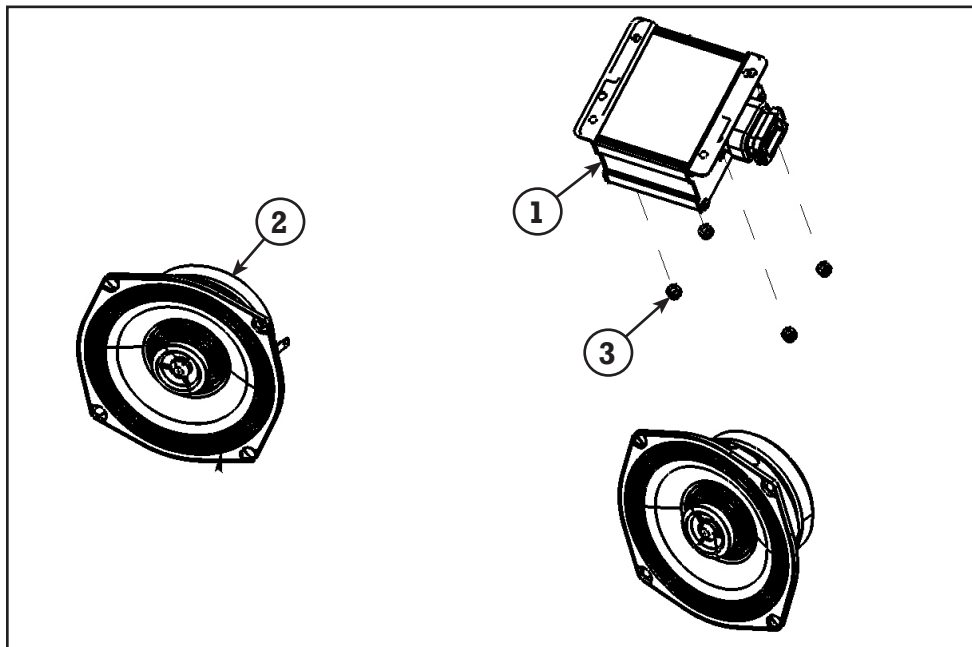
INDIAN CHIEFTAIN WITH ACCESSORY TRUNK

⚠ WARNING

This accessory is only approved for use with the models listed. **NEVER** use this accessory non-approved models. Use of this accessory on models other than those listed in these instructions may negatively affect the stability of the vehicle, lead to loss of control, and result in serious injury or death.

BEFORE YOU BEGIN

Read these instructions and check to be sure all parts and tools are accounted for in package. Please retain these installation instructions for future reference and parts ordering information.



KIT CONTENTS

Ref	Qty	Part Description	Part Number
1	1	Audio Module Amplifier, 2chX50 watt, L-Out	4014568
2	2	Ferrite Speaker, 50 watt	4014650
3	4	Hex Nut-M5X.8, Nyloc-Y	7546601
	1	Instructions	9925944

TOOLS NEEDED

Metric Socket Set

Metric Hex Key Set

Torx Bit Set

Torque Wrench

APPROXIMATE ASSEMBLY TIME

20 mins.

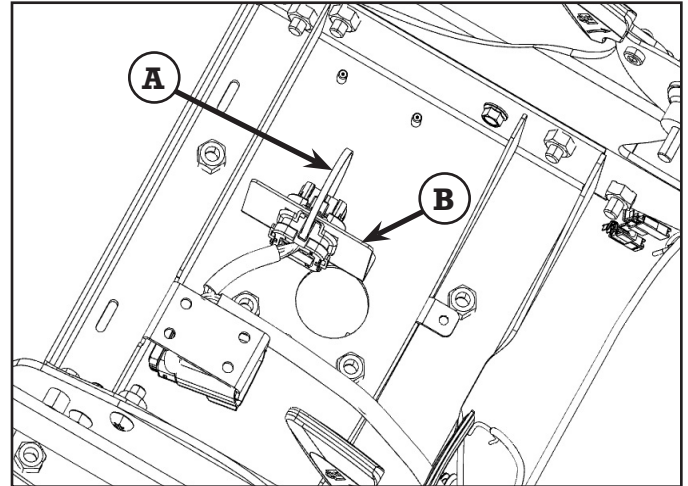
IMPORTANT

Your Indian TRUNK AUDIO KIT is exclusively designed for your vehicle. Please read the installation instructions thoroughly before beginning. Installation is easier if the vehicle is clean and free of debris. For your safety, and to ensure a satisfactory installation, perform all installation steps correctly in the sequence shown.

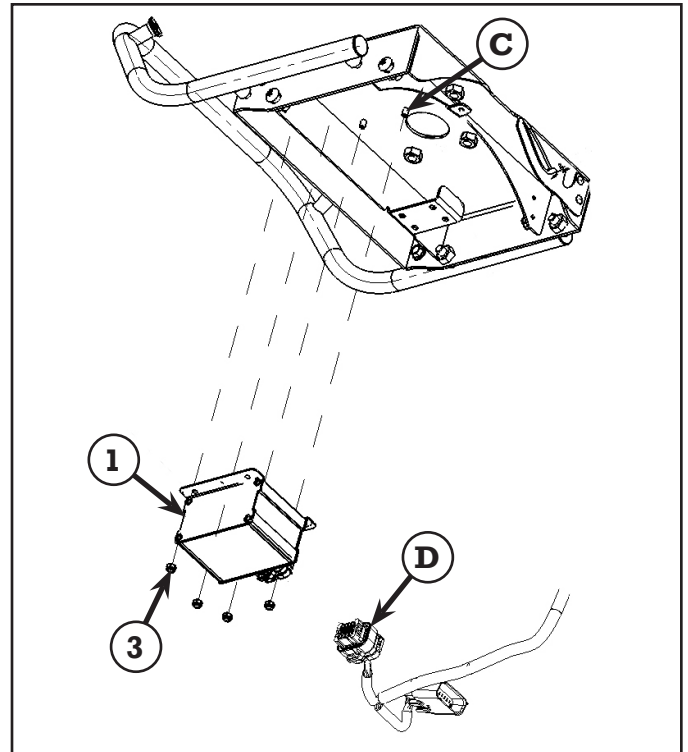
INSTALLATION INSTRUCTIONS

Amplifier Installation:

1. Remove trunk following instructions in owner's manual. Use caution to prevent damage to the trunk's finish. Place trunk upside down on clean blankets or other suitable material which will prevent damage to the painted surfaces and leather.
2. Cut wire tie (A) to remove electrical connector from amplifier plug bracket (B) and remove black vinyl plug from connector.
3. Remove two M5 nuts and remove amplifier plug bracket (B).



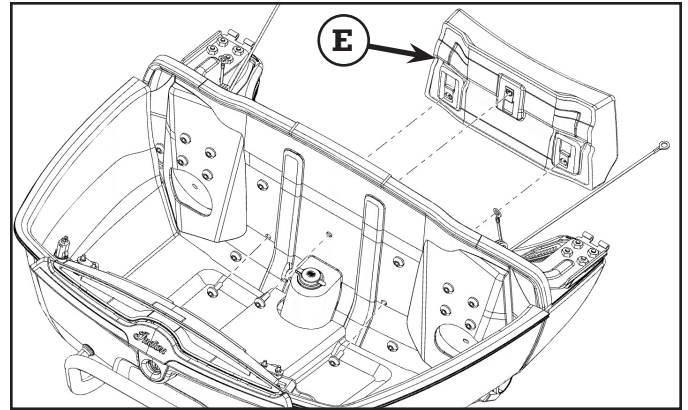
4. Place amplifier (1) on studs (C) with connector facing the left side of the bike. Install four M5 nuts (3) and torque to 45 in-lbs (5.08) to secure amplifier.
5. Install electrical connector (D) on amplifier.



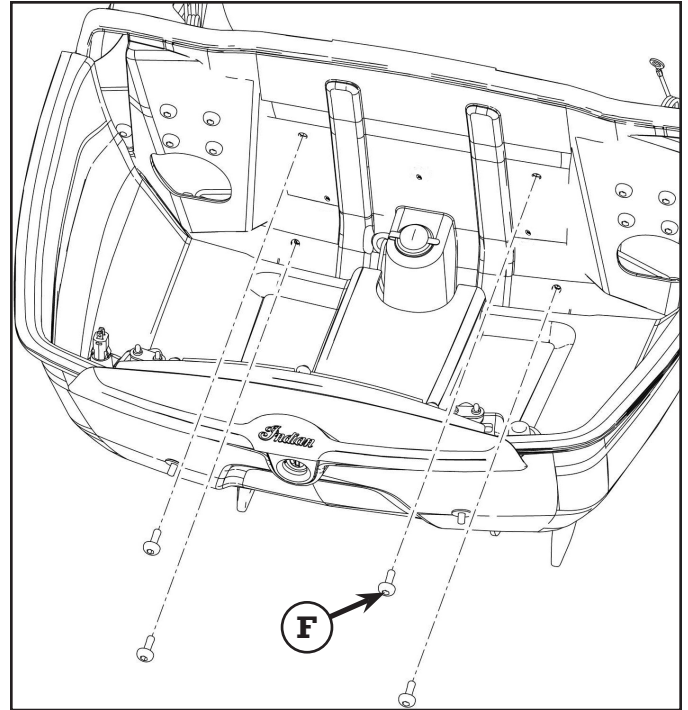
6. Replace trunk on motorcycle following instructions in owner's manual.

Speaker Installation:

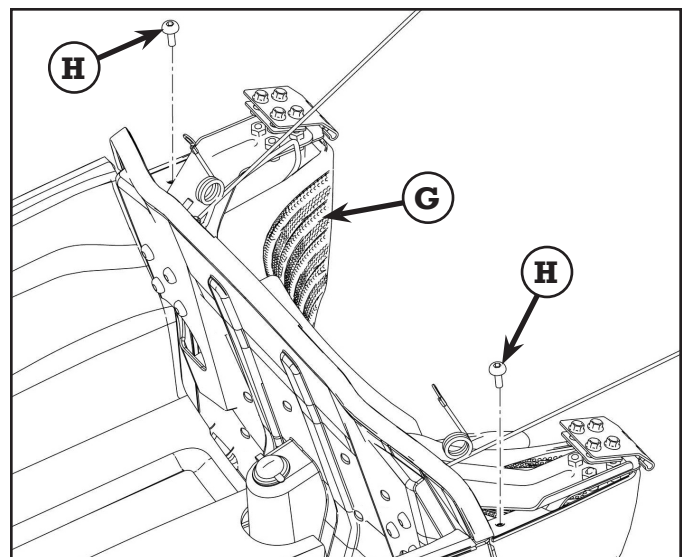
7. Remove the lower backrest (E) to get the speaker covers off as shown in figure



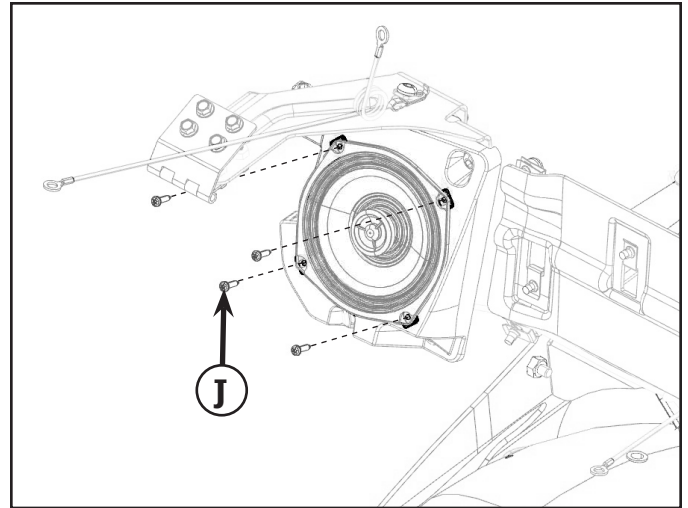
8. Remove bolts (F) from inside the trunk and retain for reuse as shown in figure.



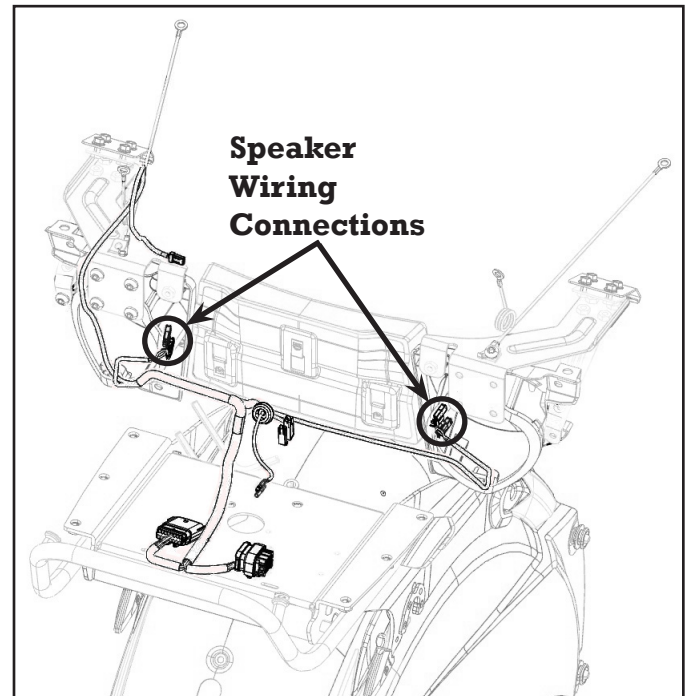
9. Pull speaker grilles (G) forward to remove from trunk by removing one bolt (H) on each side of the trunk..



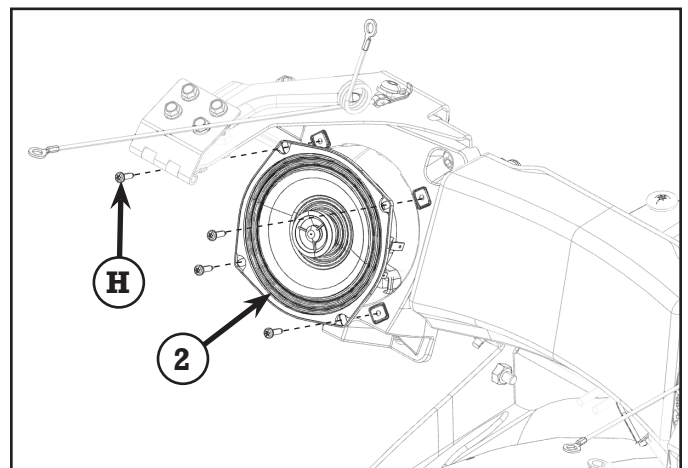
10. Remove the four screws (J) holding RH side speaker plate to the trunk and retain for reuse. Repeat the same for LH side also. Remove and discard speaker plates and gaskets.



11. Attach wires inside speaker area to your speakers.



12. Attach RH side speakers (2) using screws (H) from speaker plates. Torque to 18 in-lbs (2.03 Nm). Repeat the same for LH side also. Connect the speaker with wiring connector.



13. Replace speaker grilles and lower trunk pad. Torque fasteners to 36 in-lbs. (4.06 Nm).