

4VPP AUDIO AMPLIFIER KIT



P/N 2882231

APPLICATION

Indian Touring with faring and without touch screen display

BEFORE YOU BEGIN

Read these instructions and check to be sure all parts and tools are accounted for. Please retain these installation instructions for future reference and parts ordering information.

KIT CONTENTS

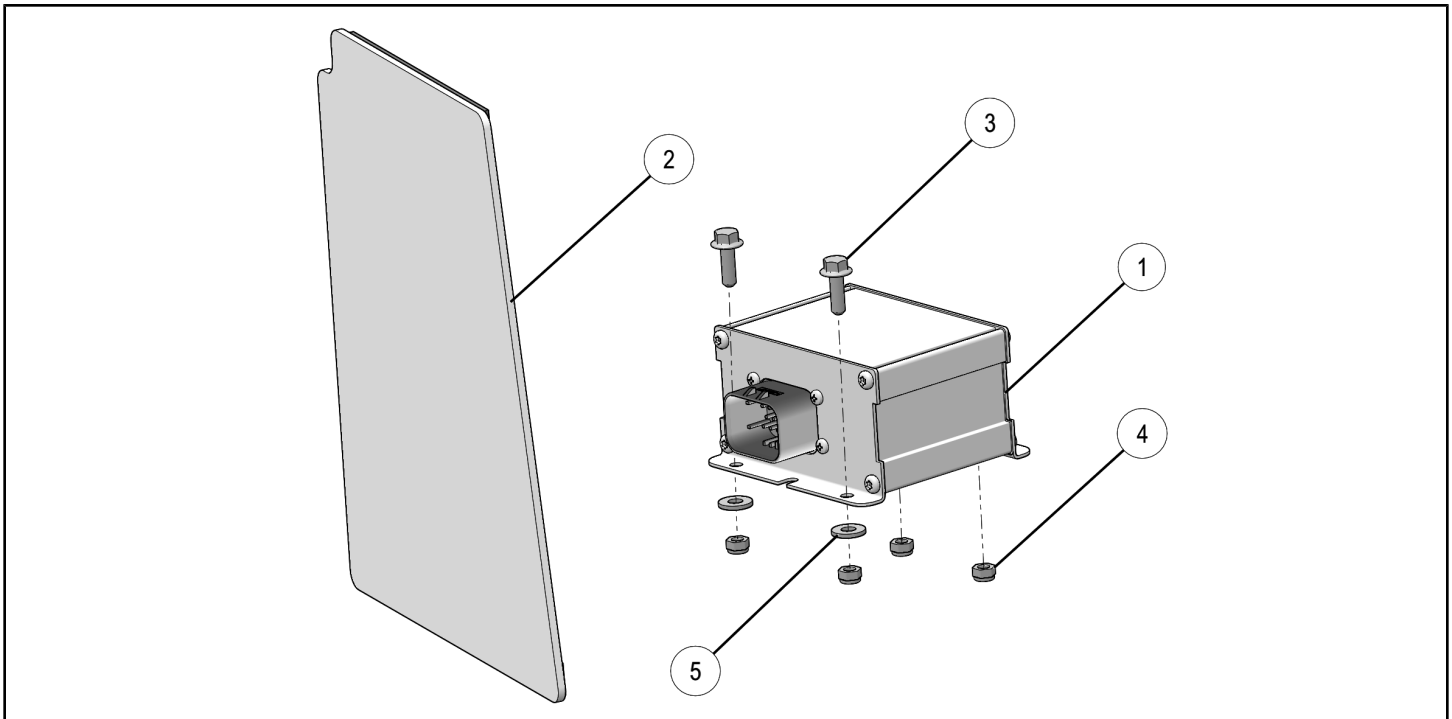
To complete this installation, one of the additional kits are needed:

- Kit-Trunk (2880283-XXX (in optional color))
- Kit-Lid, Audio, Saddlebag (2879656-XXX (in optional color))

Plus one of the following speaker kits:

- Kit-Audio, Saddlebag Speakers (2882212)
- Kit-Audio, Trunk Speakers (2882213)

This Kit includes:



REF	QTY	PART DESCRIPTION	PART NUMBER
1	1	Audio Module Amplifier, 2CH X 50W	4014568
2	1	Amplifier Cover	5260564
3	2	Screw, Hex Flange - M5 X 0.8 X 16	7517277
4	4	Nut, Hex - M5 X 0.8, Nyloc	7546601
5	2	Washer - #10 0.219 X 0.50 X 0.062	7555799
	1	Instructions	9927456

TOOLS REQUIRED

- 6mm External Hex Wrench
- Ratchet
- 8mm Wrench
- Torque Wrench
- 8mm Socket
- Drill
- 7mm drill bit

IMPORTANT

Your Indian 4VPP AUDIO AMPLIFIER KIT is exclusively designed for your vehicle. Please read the installation instructions thoroughly before beginning. Installation is easier if the vehicle is clean and free of debris. For your safety, and to ensure a satisfactory installation, perform all installation steps correctly in the sequence shown.

ASSEMBLY TIME

Approximately 20 minutes

INSTALLATION INSTRUCTIONS

Vehicle Preparation

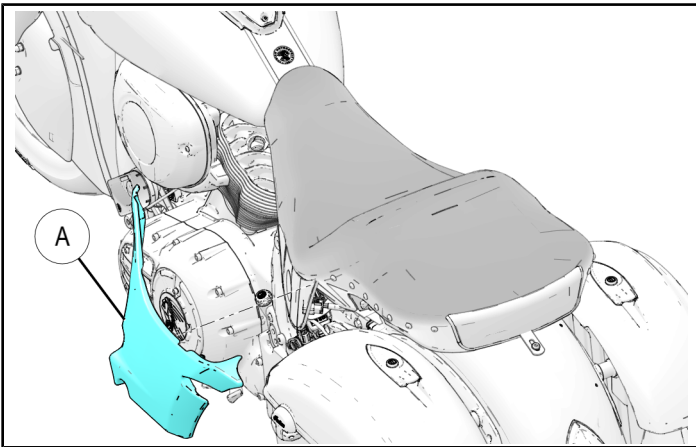
1. Ensure ignition is off and the vehicle is cooled down.

SADDLEBAG AUDIO INSTALLATION

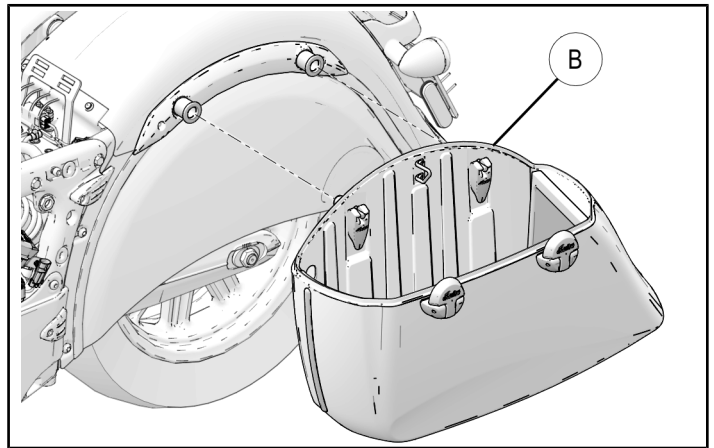
IMPORTANT

If installing saddlebag audio, follow steps 1-5. If installing trunk audio, skip to Section - Trunk Audio Installation.

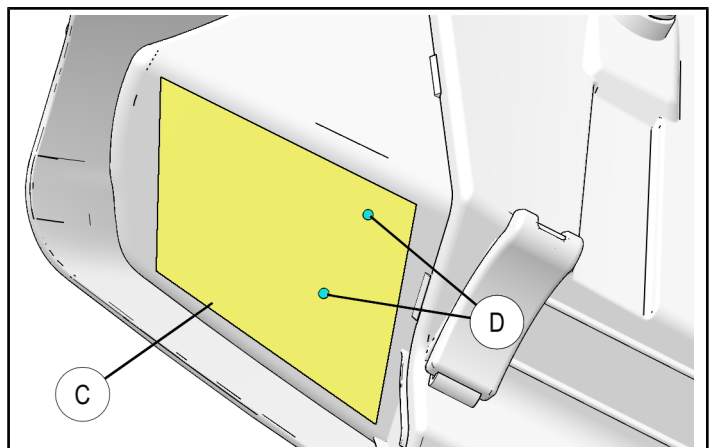
1. Remove LH side cover (A).



2. Disconnect the LH saddlebag lock wiring harness and remove the LH saddlebag (B). Place on a soft cloth to avoid damaging the painted surfaces.



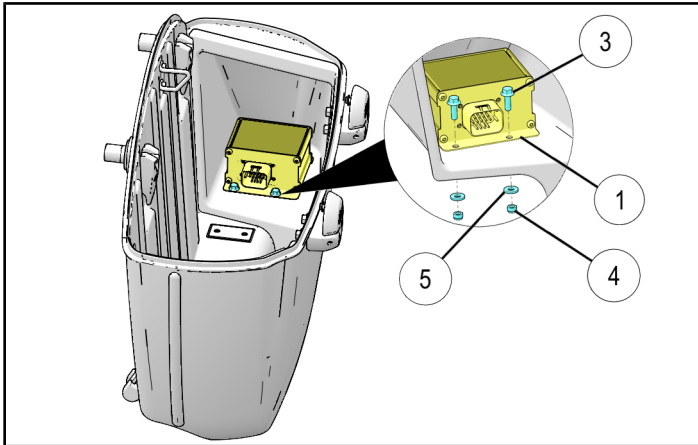
3. Use the template (C) provided in the instruction to drill two 7mm diameter holes (D) in the bottom of the LH saddlebag as shown. This is where the amplifier will mount.



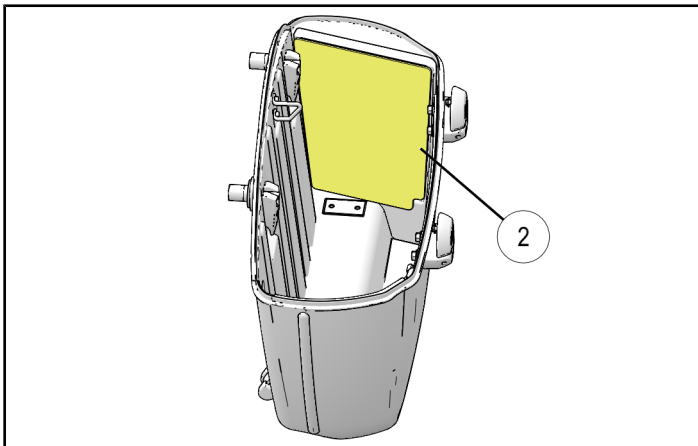
4. Mount the amplifier ① in the bottom of the LH saddlebag with the holes that were drilled previously. The connector on the amplifier should face forwards as shown in figure. Install two M5 washers ⑤, nuts ④, and screws ③ provided in the kit. Torque screws to specification.

TORQUE

45 in-lbs. (4.95 Nm)



5. Locate the amplifier cover plate ②. The cover plate will be mounted to hide the rear portion of the saddlebag, as shown in the figure. Clean the mounting surfaces on the saddlebag with isopropyl alcohol or similar to ensure proper adhesion. Remove the backing paper from the two velcro straps and install the amplifier cover plate to the LH saddlebag. Apply pressure to the top and bottom of the plate to ensure proper adhesion before separating the velcro strips.

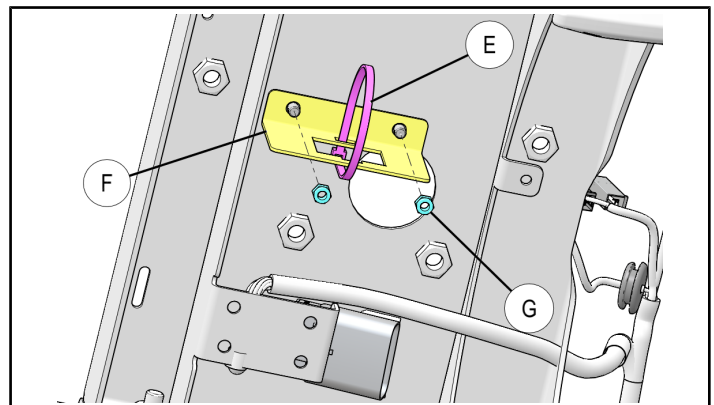


TRUNK AUDIO INSTALLATION

IMPORTANT

If installing saddlebag audio, skip to step 5. If installing trunk audio, follow steps 1-4.

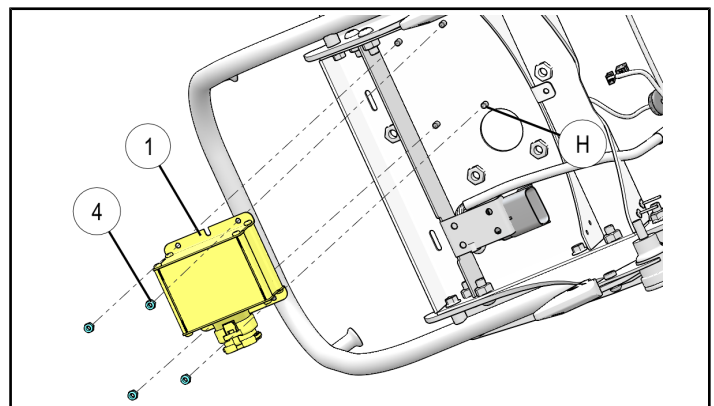
1. Remove the trunk following instructions in the owner's manual. Use caution to prevent damage to the cosmetic surfaces. Place trunk upside down on a clean blanket or other suitable material to prevent damage to the painted and leather surfaces.
2. Cut wire tie (E) to remove electrical connector from amplifier plug bracket (F) and remove black vinyl plug from connector.
3. Remove two nuts (G) and remove amplifier plug bracket (F).



4. Place amplifier ① on studs (H) with connector facing the left side of the bike. Install four nuts ④ and torque to specification to secure amplifier.

TORQUE

45 in-lbs. (4.95 Nm)



For both saddlebag audio and trunk audio, follow step 5 to complete installation.

5. To complete audio installation, follow the instructions in the saddlebag speaker kit (PN 2882212) or trunk speaker kit (PN 2882213).

THIS PAGE IS INTENTIONALLY LEFT BLANK

Template for Saddlebag Amplifier Mounting

