

USB RETROFIT KIT



P/N 2883689, 2883690

APPLICATION

Verify accessory fitment at www.indianmotorcycle.com.

Kit PN 2883690: All 2018 and older Indian® Scout® and Scout® Bobber Models

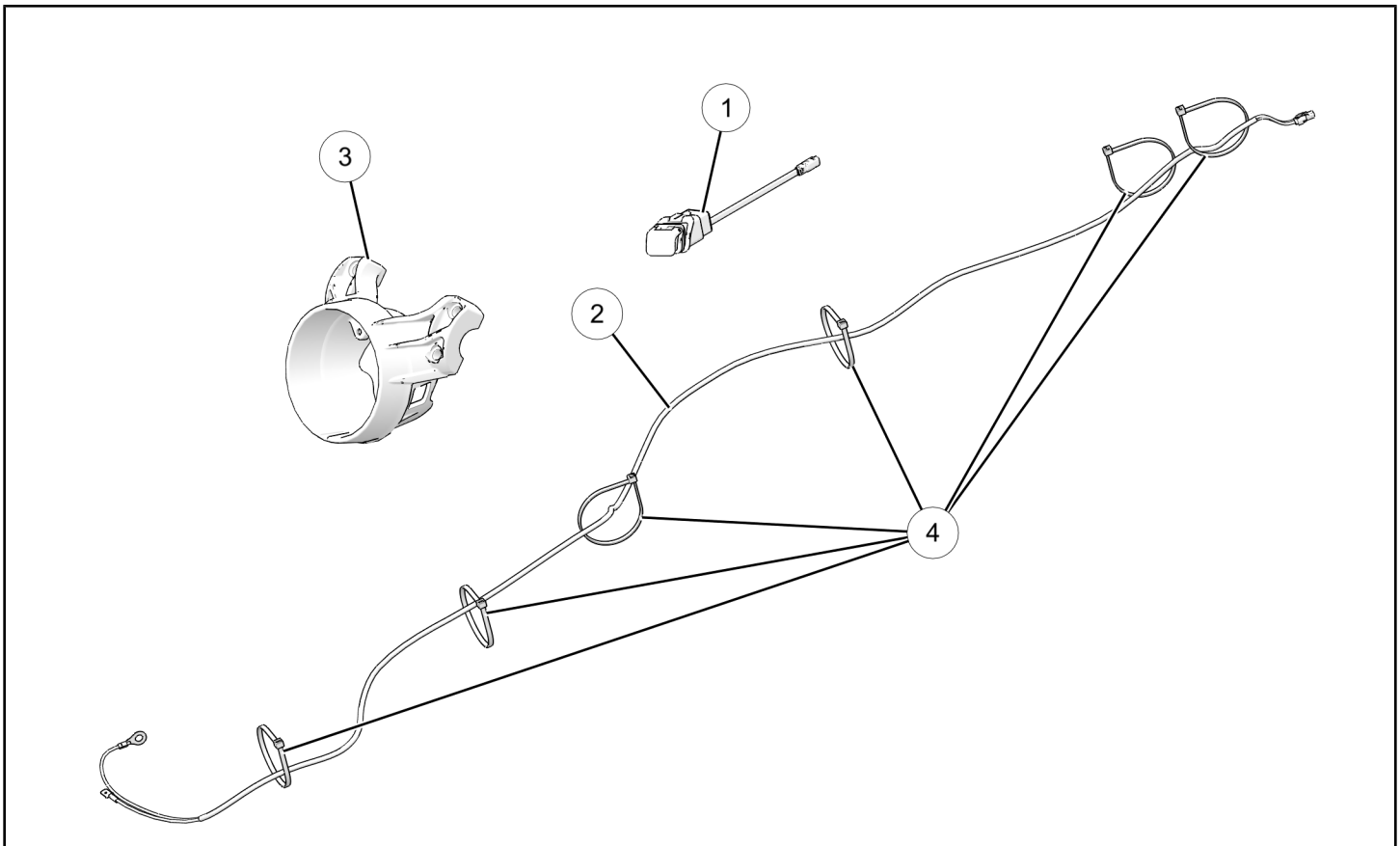
Kit PN 2883689: 2019 and newer Indian® Scout® Sixty

BEFORE YOU BEGIN

Read these instructions and check to be sure all parts and tools are accounted for. Please retain these installation instructions for future reference and parts ordering information.

KIT CONTENTS

This Kit includes:



REF	QTY	PART DESCRIPTION	PART NUMBER
1	1	Module, USB, (Kit PN 2883689, 2883690)	2414051
2	1	Harness, USB, Retrofit (Kit PN 2883690) (Not used on 2018 Models)	-
3	1	Mount, Speedometer, USB (Kit PN 2883690)	5633908
4	6	Cable Ties	7080138
	1	Instructions	9928936

TOOLS REQUIRED

- Safety Glasses
- Pliers, Side Cutting
- Screwdriver, Phillips

- Socket Set, Hex Bit, Metric
- Socket Set, Metric
- Torque Wrench

IMPORTANT

Your Indian USB Retrofit Kit is exclusively designed for your vehicle. Please read the installation instructions thoroughly before beginning. Installation is easier if the vehicle is clean and free of debris. For your safety, and to ensure a satisfactory installation, perform all installation steps correctly in the sequence shown.

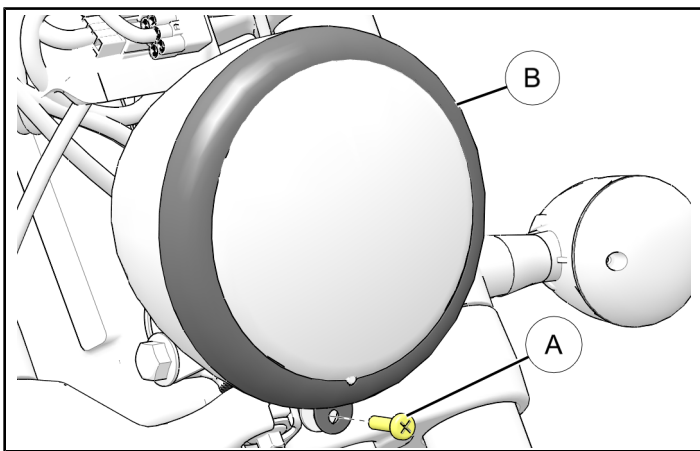
INSTALLATION INSTRUCTIONS

VEHICLE PREPARATION

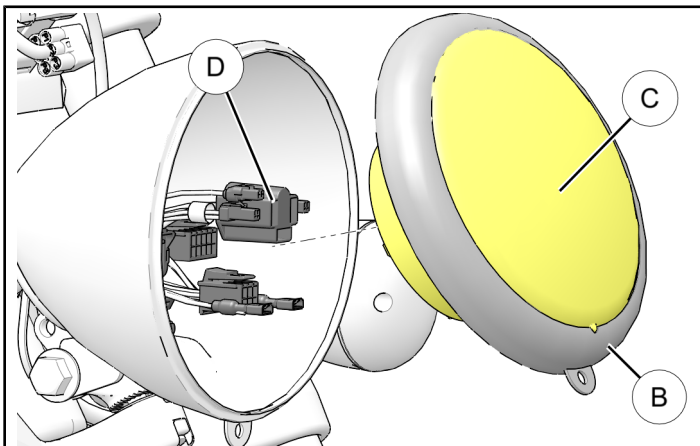
1. Turn key or ignition switch to “OFF” position and remove key. If equipped with keyless fob, remove fob from proximity of vehicle.
2. Ensure motorcycle is parked on a flat surface, kickstand is fully extended, and vehicle is stable prior to installation.

SCOUT®: WIRING PREPARATION

1. Remove and retain screw (A) from headlight bezel (B).

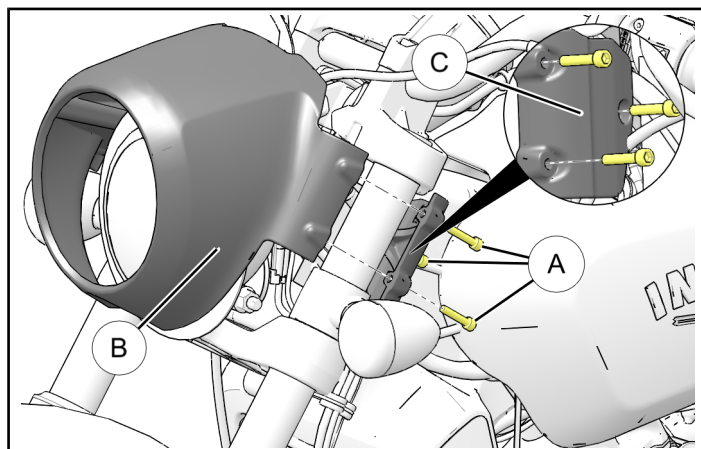


2. Pull headlight bezel (B) and headlight (C) from housing. Make note of locations and disconnect any connectors (D) from rear of headlight (C). Carefully set aside headlight assembly.



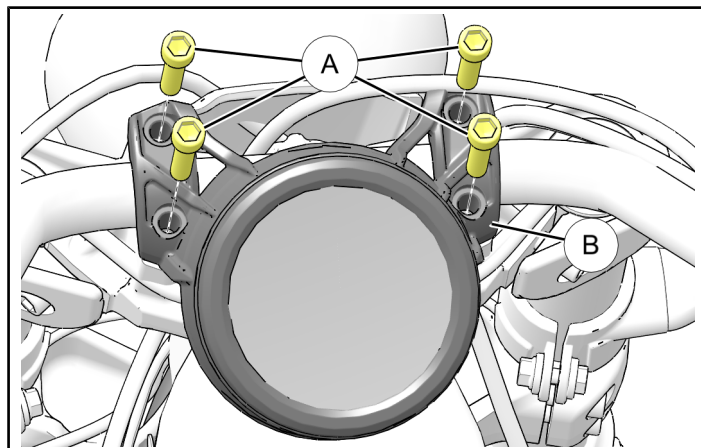
SCOUT® BOBBER: WIRING PREPARATION

1. Remove and retain six screws (A) from rear of headlight nacelle (B). Remove and set aside headlight nacelle (B) and two brackets (C).

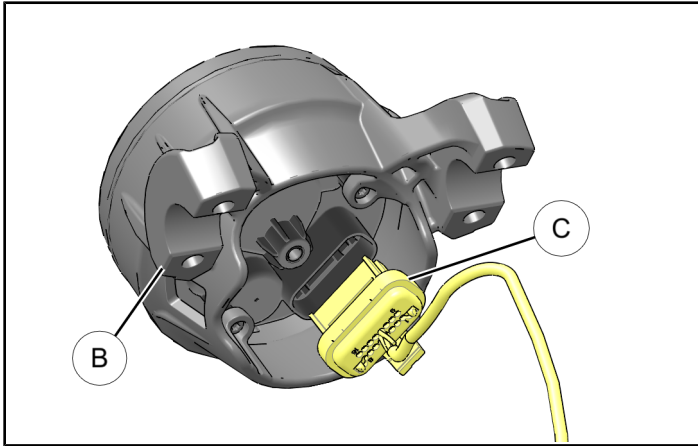


ALL BIKES: SPEEDOMETER MOUNT REMOVAL

1. Remove and retain four screws (A) from speedometer mount (B).



- Carefully lift speedometer mount from bike until rear connector (C) can be accessed. Unplug connector (C) and remove speedometer mount (B).



**RETROFIT HARNESS INSTALLATION
(KIT PN 2883690):
ALL 2015–2017 INDIAN® SCOUT® MODELS**

*(For All 2018 Indian® Scout® Models, skip to section **Speedometer Mount Replacement**)*

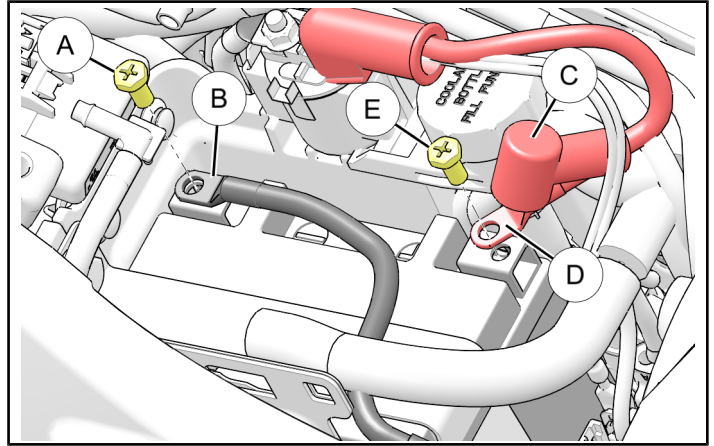
*(For 2019 and Newer Indian® Scout® Sixty Models, skip to section **USB Connection Installation**)*

- Remove seat as per owner's manual procedure and carefully set aside.
- Remove fuel tank as per owner's manual procedure and carefully set tank aside.

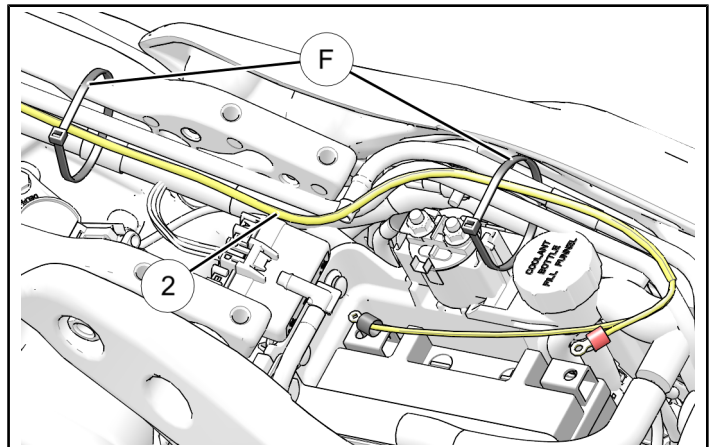
⚠ WARNING

Improperly connecting or disconnecting battery cables can result in an explosion and cause serious injury or death. When disconnecting battery, always disconnect the negative (black) cable first. When reconnecting battery, always connect negative (black) cable last.

- Move fuse box to access battery terminals. Remove and retain screw (A) and remove negative (-) battery cable (B) from battery terminal. Position cable well clear of terminal. Remove rubber cover (C) from positive (+) battery cable (D). Remove and retain screw (E) and remove positive (+) battery cable. Position cable well clear of terminal.



- Route new wiring harness (2) through two existing cable ties (F). (If cable ties are missing, install new cable ties in locations shown.) Place wires so length will allow for connection to battery terminals.



- Connect positive (+) battery cable (C) and positive end of new USB wire (2). Secure using retained screw (E). Torque screw to specification.

TORQUE

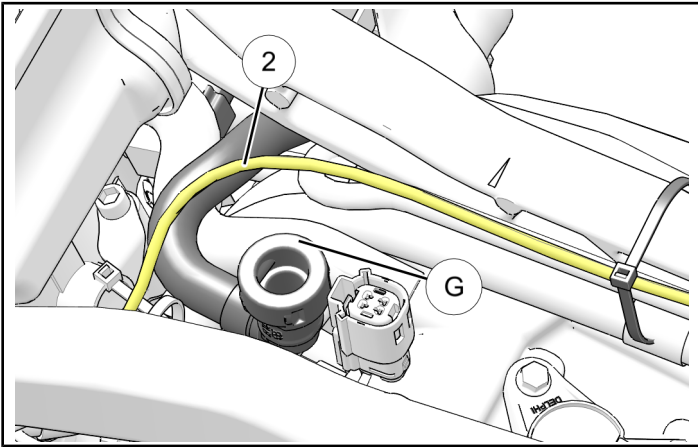
45 in. lbs. (5 Nm)

- Connect negative (-) battery cable (B) and negative end of new USB wire (2). Secure using retained screw (A). Torque screw to specification.

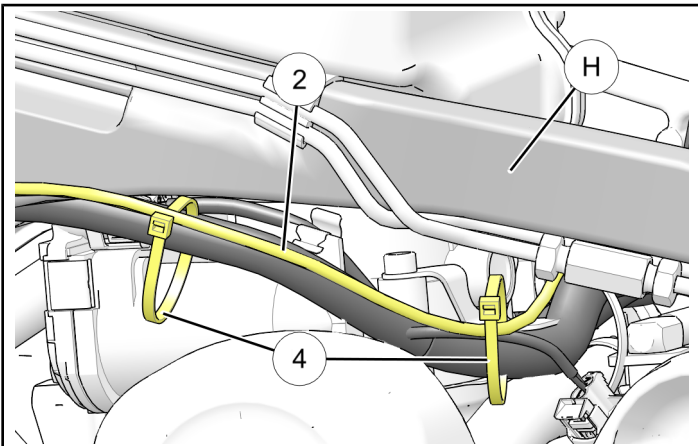
TORQUE

45 in. lbs. (5 Nm)

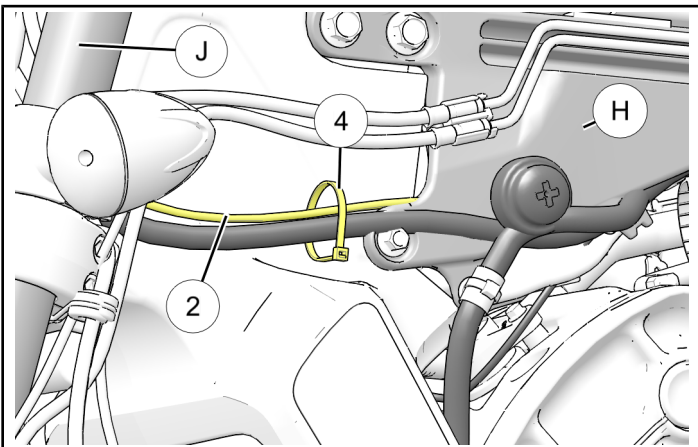
- Continue to run wire ② to front of vehicle. Route around fuel fitting ⑥ as shown.



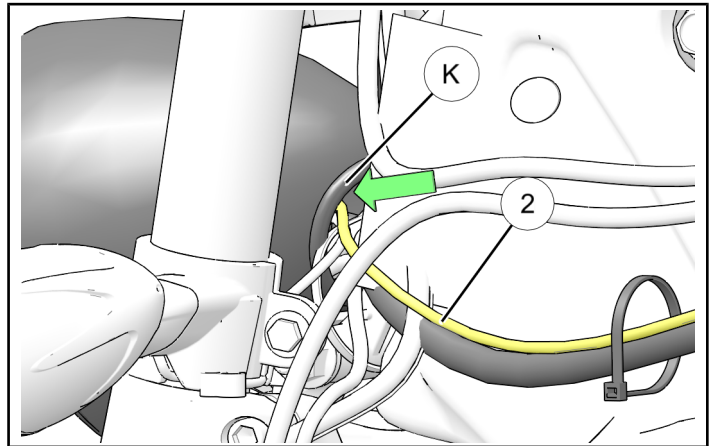
- Route wiring ② under upper frame ⑧. Secure wire to main harness with cable tie ④.



- Route wiring ② behind frame ⑧ and secure to existing harness ⑩ with new cable tie ④. Continue to route wire ② behind fork ⑨ toward headlight housing.



- Insert wire end ② into opening on rear of headlight housing ⑫ and pull through opening into headlight housing.

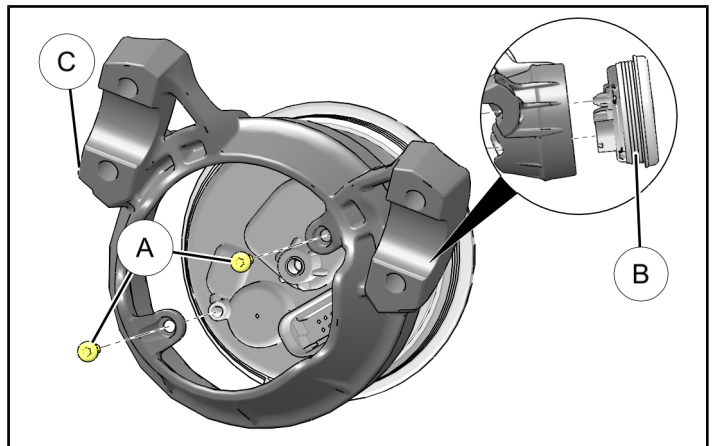


- Replace any cable ties that were removed during installation.
- Return fuse box to original position.
- Reinstall fuel tank as per owner's manual.
- Reinstall seat as per owner's manual.

**SPEEDOMETER MOUNT REPLACEMENT (PN 2883690):
ALL 2015-2018 INDIAN® SCOUT® AND SCOUT® BOBBER MODELS**

*(For 2019 and Newer Indian® Scout® Sixty Models, skip to section **USB Connection Installation**)*

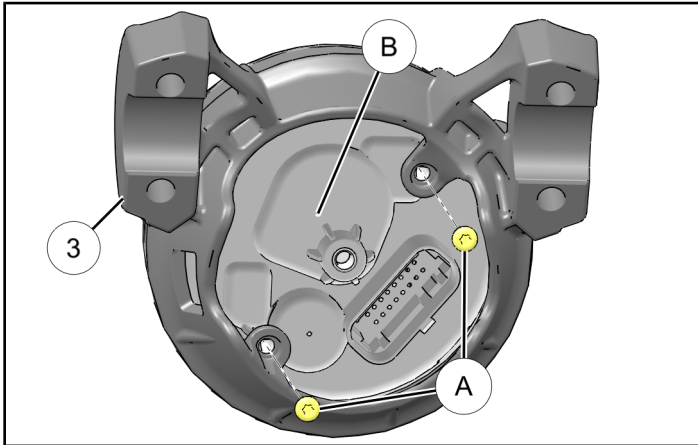
- Remove and retain two screws ① and separate speedometer ② from speedometer mount ③. Discard speedometer mount ③.



2. Insert speedometer **B** into new speedometer mount **3** and secure with two retained screws. Torque screws to specification.

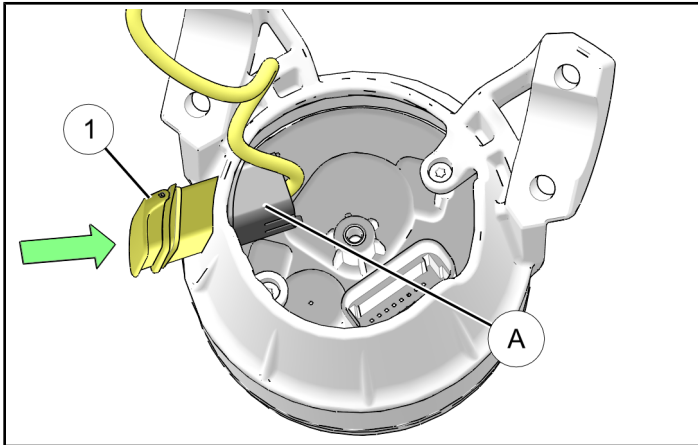
TORQUE

16 in. lbs. (1.8 Nm)



USB MODULE INSTALLATION (ALL MODELS)

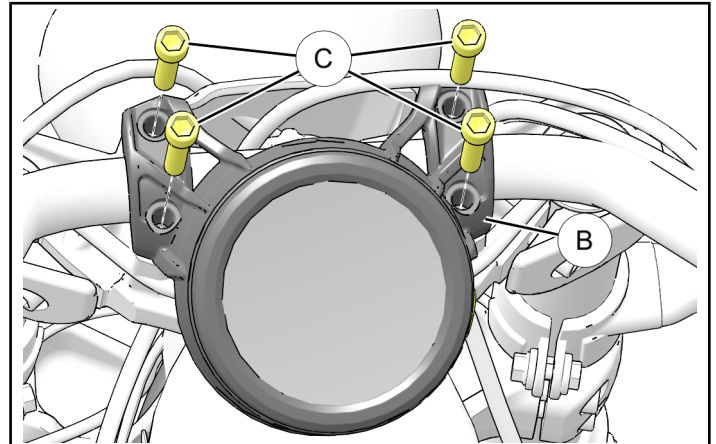
1. Slide collar **A** off USB module **1** and hold inside speedometer mount. Insert USB module **1** through collar **A** until a click is heard. Ensure that collar is secure.



2. Plug speedometer connector into speedometer. Ensure USB wiring is routed properly and reinstall speedometer mount assembly **B** using four retained bolts **C** (removed in **Step 1** of **Speedometer Mount Removal** section.) Torque bolts to specification.

TORQUE

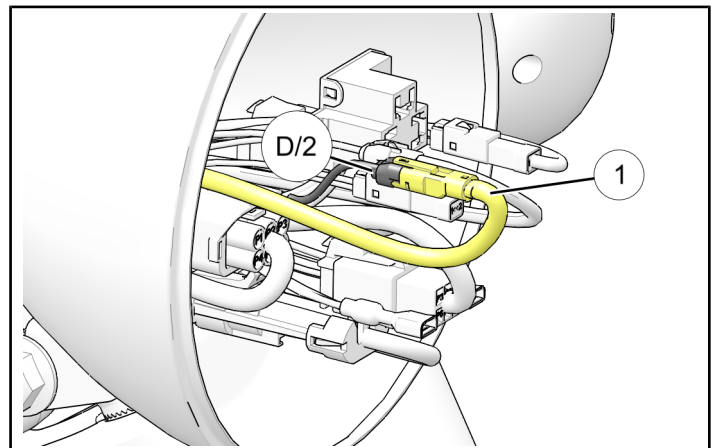
22 ft. lbs. (29 Nm)



CONNECTING USB MODULE:

ALL 2015-2019 INDIAN® SCOUT® AND SCOUT® SIXTY MODELS

1. Plug USB module connector **1** into either newly run USB power wire **2** (All MY 2018 and Older Indian® Scout® Models) or into already present USB power cable **D** (2019 and newer Indian® Scout® Sixty)



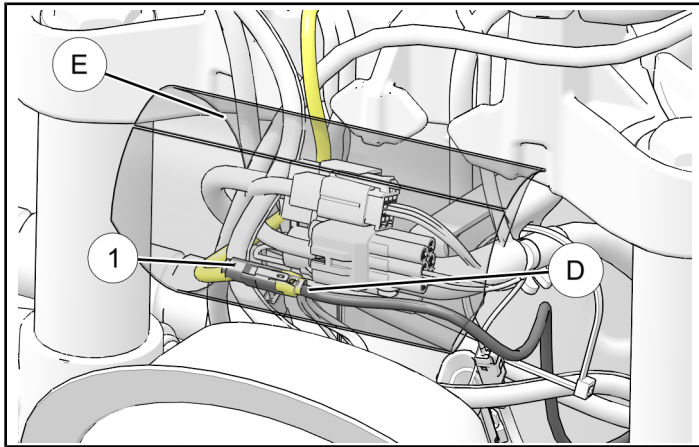
2. Reconnect wiring in headlight assembly and reassemble headlight. Torque headlight retaining ring screw to specification.

TORQUE

33 in. lbs. (4 Nm)

**CONNECTING USB MODULE:
2018 SCOUT BOBBER MODELS**

1. Route USB module connector ① into cloth cable wrap ⑤. Plug USB module connector ① into already present USB power cable ④. Close and secure cloth wrap ⑤.



2. Reinstall headlight nacelle and brackets with six retained screws. Torque screws to specification.

TORQUE
84 in. lbs. (9.5 Nm)

FEEDBACK FORM

A feedback form has been created for the installer to provide any comments, questions or concerns about the installation instructions. The form is viewable on mobile devices by scanning the QR code or by clicking [HERE](#) if viewing on a PC.

