

# FAIRING AUDIO UPGRADE KIT



P/N 2884309

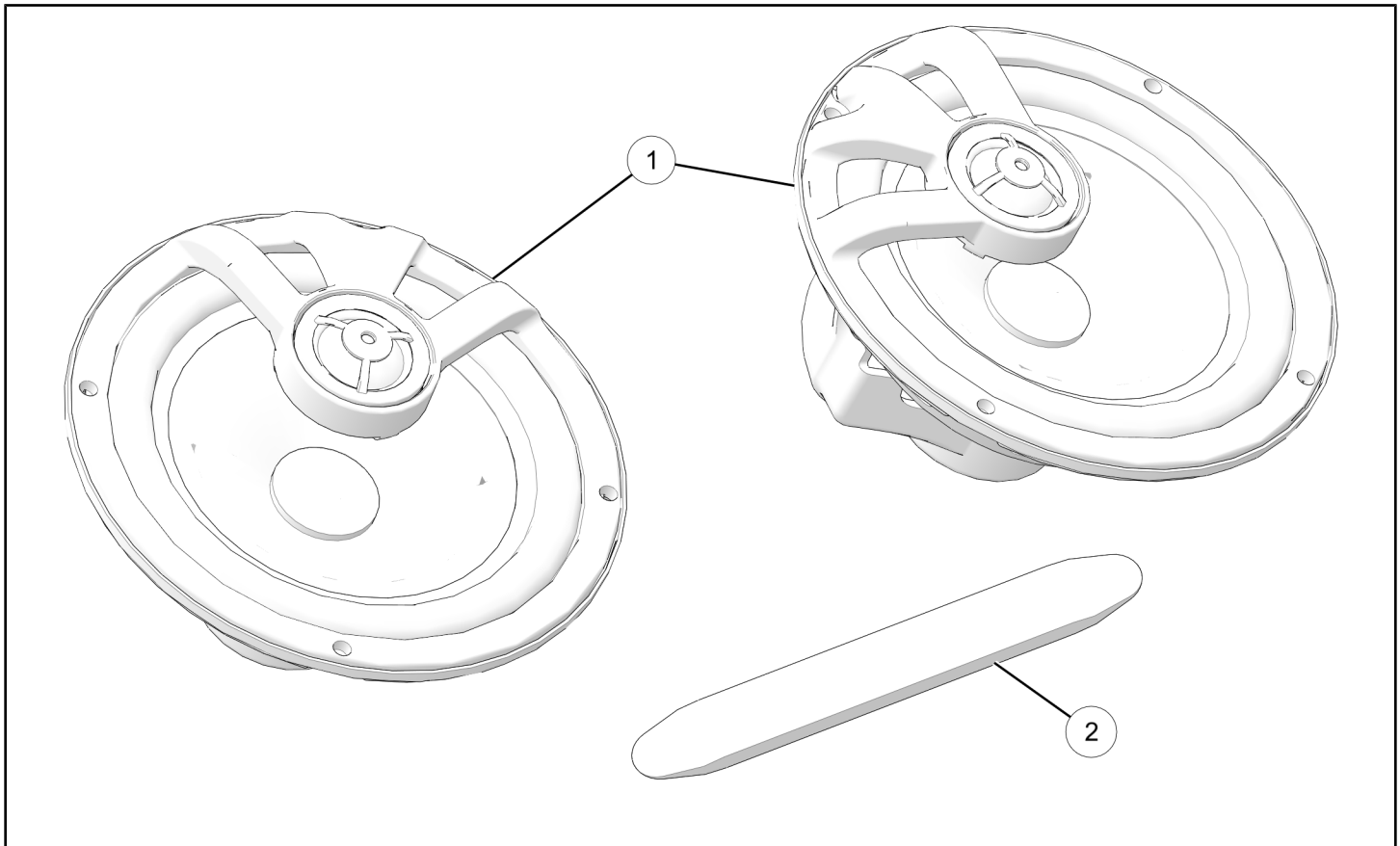
## APPLICATION

Verify accessory fitment at [www.indianmotorcycle.com](http://www.indianmotorcycle.com).

## BEFORE YOU BEGIN

Read these instructions and check to be sure all parts and tools are accounted for. Please retain these installation instructions for future reference and parts ordering information.

## KIT CONTENTS



REF	QTY	PART DESCRIPTION	P/N AVAILABLE SEPARATELY
1	2	Speaker, 6.5 Inch, 100W	4017741
2	1	Pry Bar, Plastic Trim Removal	5456907

## TOOLS REQUIRED

- Safety Glasses
- Socket Set, Hex Bit, Metric
- Socket Set, Hex Bit, Metric, Ball-End
- Torque Wrench
- **Special Service Tool:**
  - Non-marring Pry Tool, P/N 5456907 (or equivalent)

## IMPORTANT

Your Indian Motorcycle® Fairing Audio Upgrade Kit is exclusively designed for your vehicle. Please read the installation instructions thoroughly before beginning. Installation is easier if the vehicle is clean and free of debris. For your safety, and to ensure a satisfactory installation, perform all installation steps correctly in the sequence shown.

## INSTALLATION INSTRUCTIONS

### VEHICLE PREPARATION

#### GENERAL

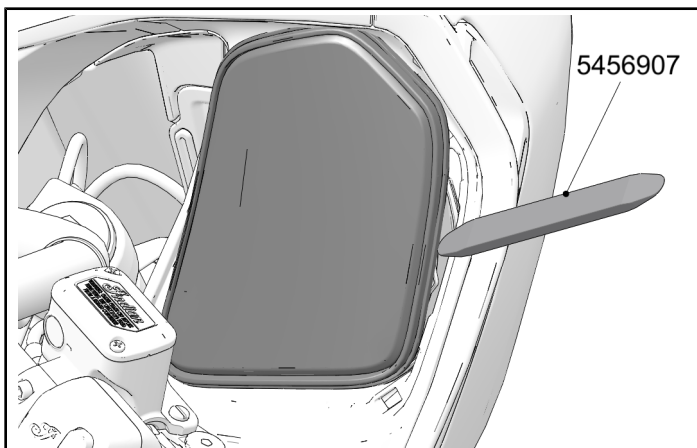
1. Turn key or ignition switch to **OFF** position and remove key. If equipped with keyless fob, remove fob from proximity of vehicle.
2. Ensure motorcycle is parked on a flat surface, kickstand is fully extended, and vehicle is stable.

### ACCESSORY INSTALLATION

RH speaker shown. LH speaker similar.

#### REMOVE SPEAKER GRILL

1. Carefully pry along edge with non-marring pry tool to disengage speaker grill assemblies.



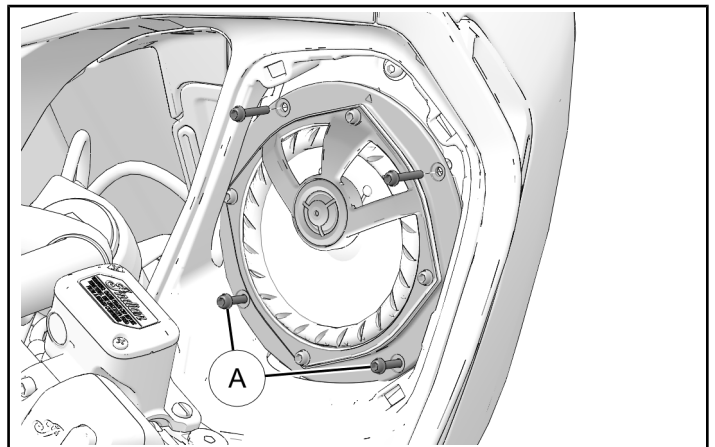
### REMOVE STOCK SPEAKERS

#### 5.25 INCH SPEAKERS

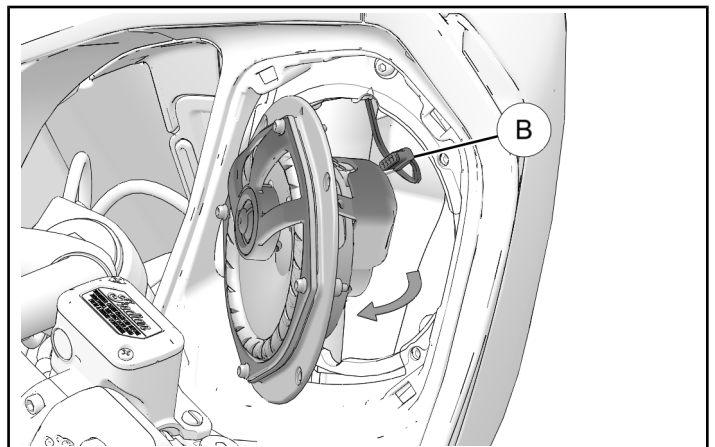
1. Remove and retain four screws (A) from speaker adaptor ring.

#### NOTICE

Speaker and adaptor ring assembly will be removed together.

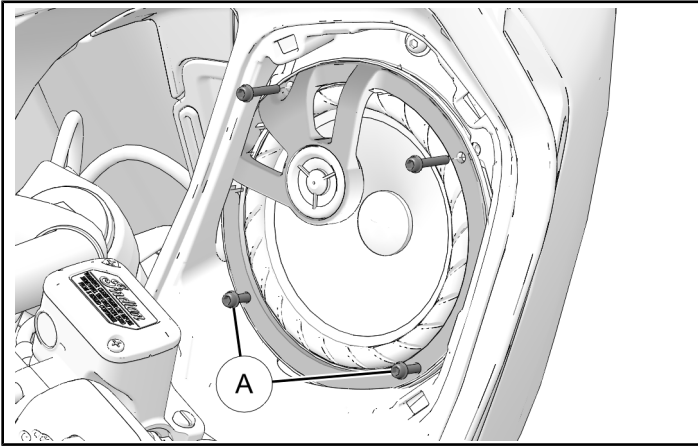


2. Rotate speaker assembly and remove. Unplug speaker connector (B).

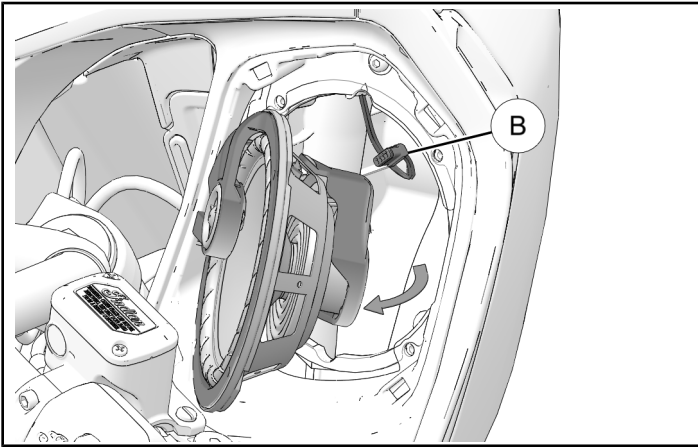


## 6.5 INCH SPEAKERS

1. Remove and retain four screws **A** from speaker.

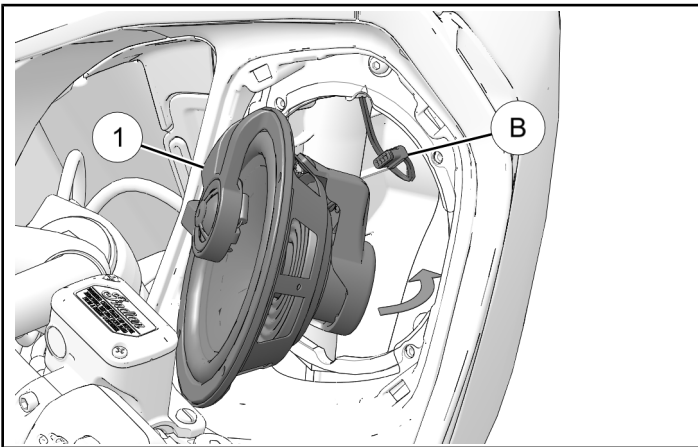


2. Rotate speaker and remove. Unplug speaker connector **B**.



## INSTALL ACCESSORY SPEAKER

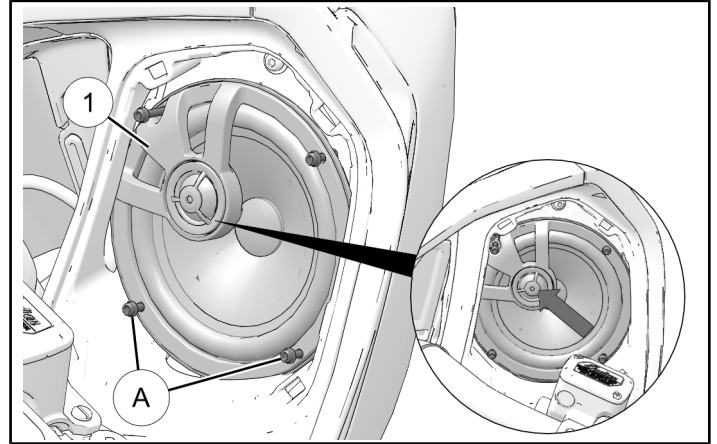
1. Plug in speaker connector **B** and rotate new speaker into place.



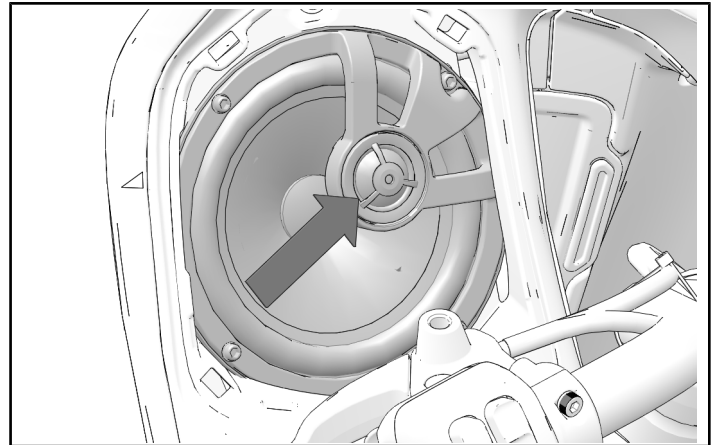
2. Rotate speaker so tweeter is located in top inner corner of opening as shown. (RH Speaker shown.) Secure with retained screws **A**. Torque screws to specification.

### TORQUE

Fairing Speaker Screws **A**:  
25 in-lbs (2.8 N·m)



3. Reinstall fairing speaker grill.
4. Repeat for LH side speaker and ensure tweeter is installed in top inner corner of LH opening.



## FEEDBACK FORM

A feedback form has been created for the installer to provide any comments, questions or concerns about the installation instructions. The form is viewable on mobile devices by scanning the QR code or by clicking [HERE](#) if viewing on a PC.

