

SPRINGFIELD SADDLEBAG AUDIO MY20+



P/N 2884469

IMPORTANT

Due to the technical nature of this kit, Indian Motorcycle® insists that this installation be performed by a certified Indian Motorcycle® technician.

APPLICATION

Model year 2020 and newer Indian Springfield® Dark Horse®

Verify accessory fitment at www.indianmotorcycle.com.

IMPORTANT

This cannot be used in conjunction with any Trunk Kits.(Numerous PN)

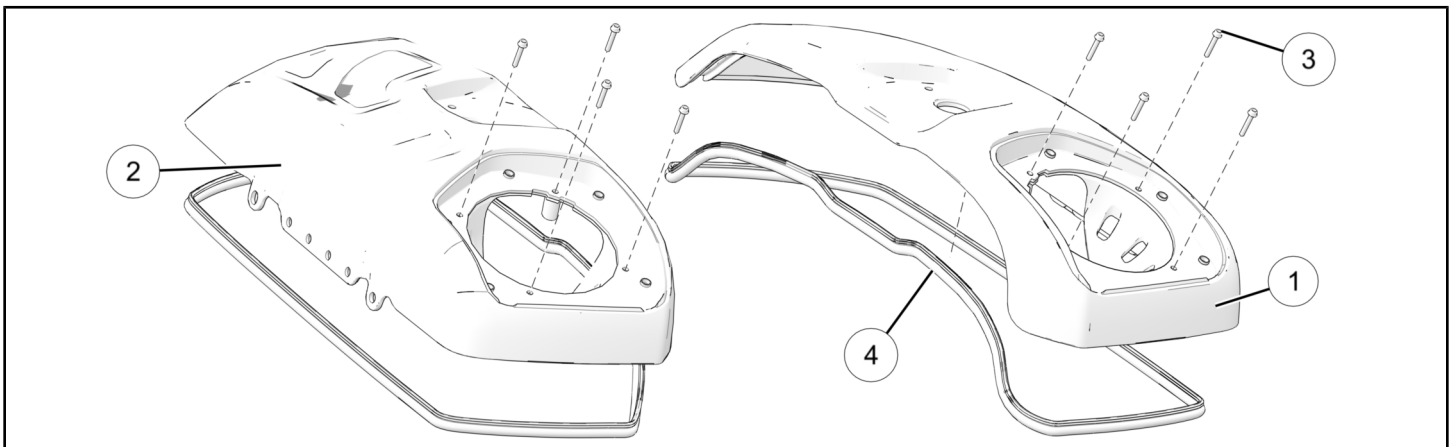
BEFORE YOU BEGIN

Read these instructions and check to be sure all parts and tools are accounted for. Please retain these installation instructions for future reference and parts ordering information.

REQUIRED SOLD SEPARATELY

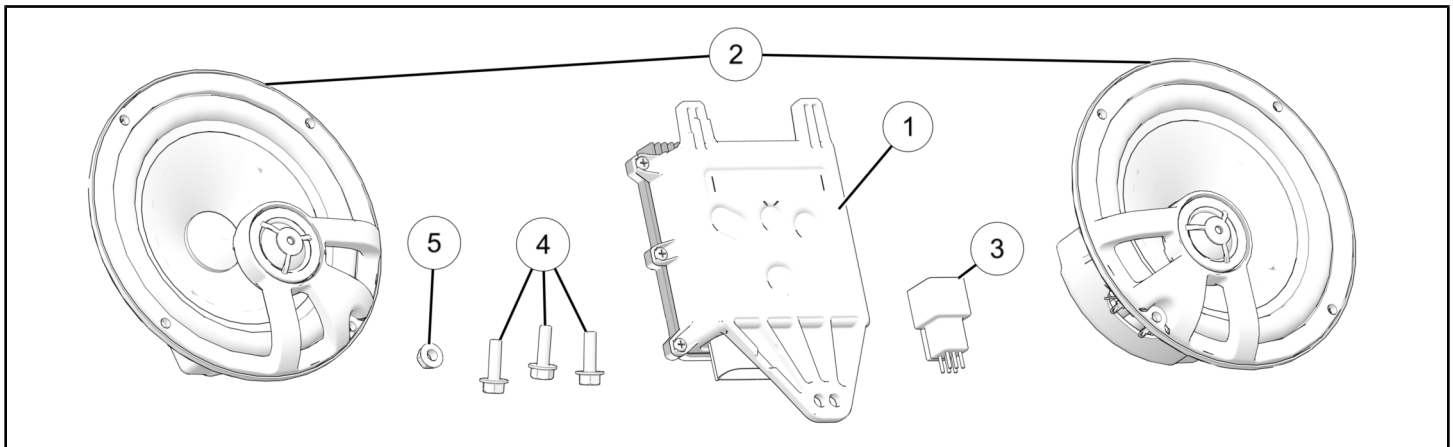
Only parts for installation of the Indian Motorcycle® Springfield Saddlebag Audio MY20+ are included. Installation of the following additional kits is also required (sold separately):

SADDLEBAG LID KIT 2883666-XXX



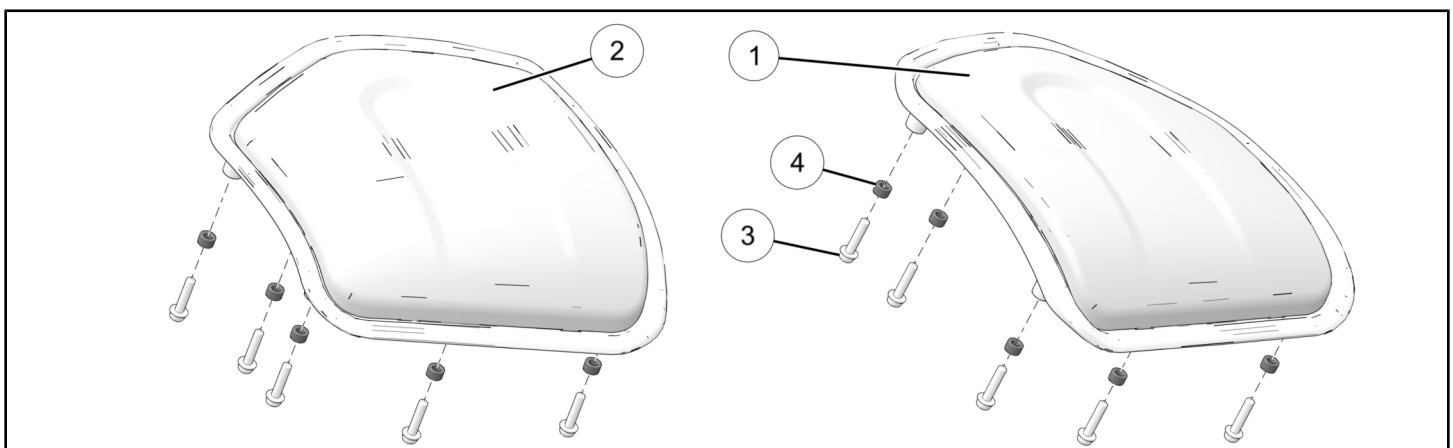
REF	QTY	PART DESCRIPTION	P/N AVAILABLE SEPARATELY
1	1	Assembly, Lid, Saddlebag Audio, LH	5455948-XXX
2	1	Assembly, Lid, Saddlebag Audio, RH	5455949-XXX
3	8	Screw, Pan Head Socket Washer, #8 X 25	7521015
4	2	Seal, Saddlebag Lid	-

6.5 INCH SPEAKER AND AMPLIFIER KIT 2884342



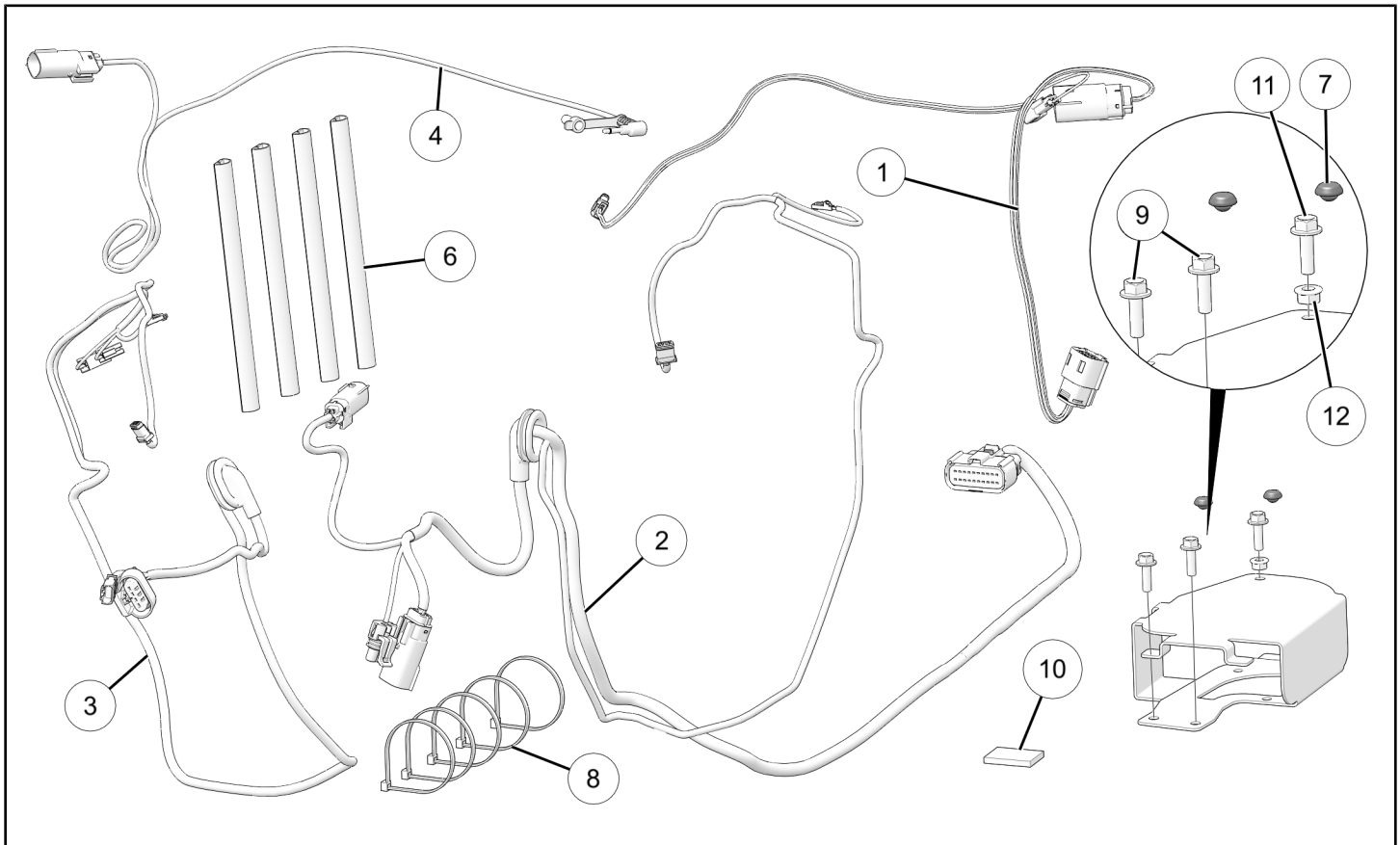
REF	QTY	PART DESCRIPTION	P/N AVAILABLE SEPARATELY
1	1	Module, Power Supply, 4 Channel	2414625
2	2	Speaker, 6.5 Inch	4017741
3	1	Assembly, 6-Pin Connector Cap	4018421
4	3	Crew, Hex Flange Head, M6 X 1.0 X 20	7518141
5	1	Nut, Hex Flange Head, M6 X 1.0 X 10	7710495

SPEAKER GRILL KIT 2883665



REF	QTY	PART DESCRIPTION	P/N AVAILABLE SEPARATELY
1	1	Assembly, Speaker Grill, LH	2637215-XXX
2	1	Assembly, Speaker Grill, RH	2637216-XXX
3	10	Screw, Pan Head Socket Washer, #8 X 19	7520960
4	10	Washer, Rubber	7557148

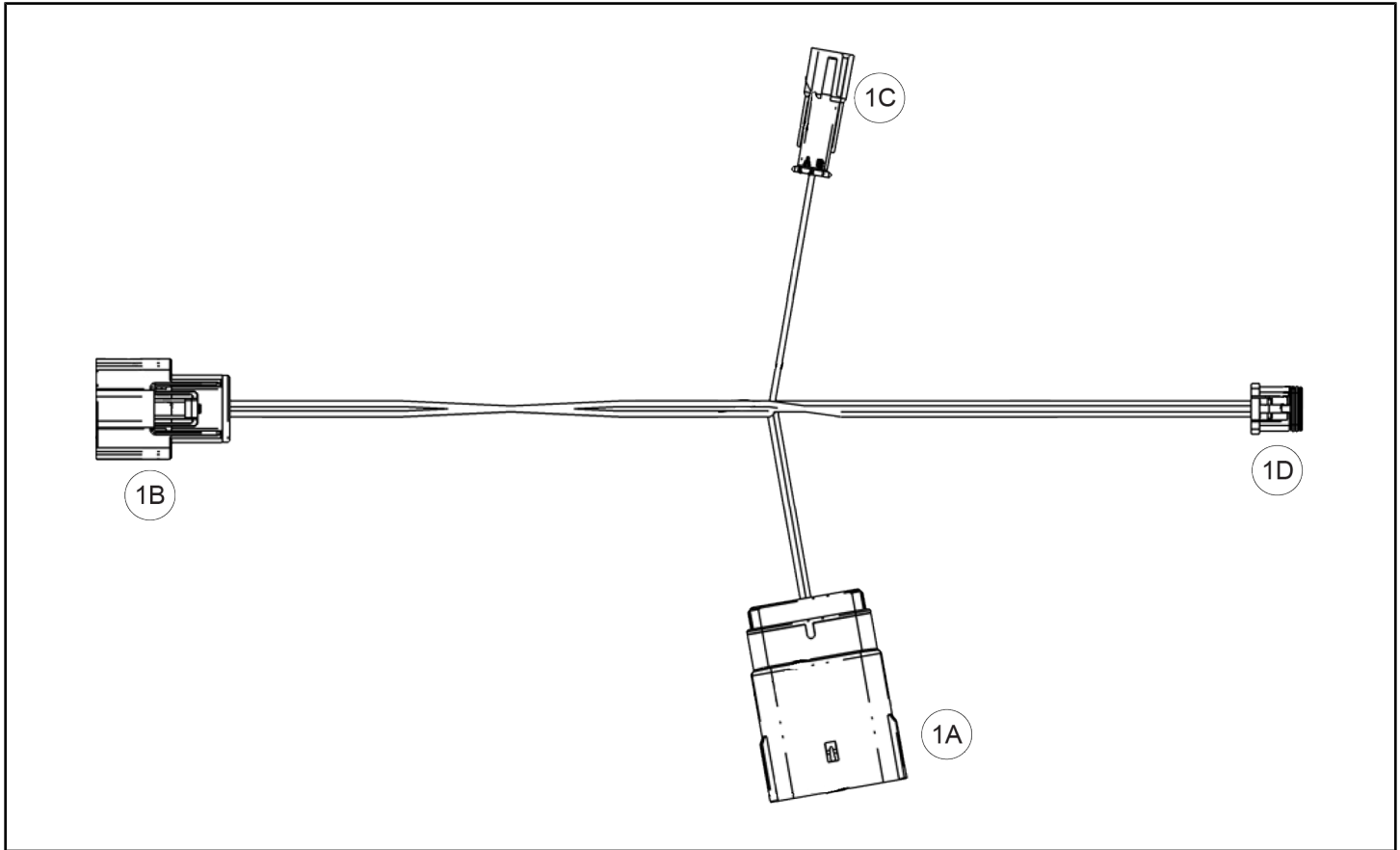
KIT CONTENTS



REF	QTY	PART DESCRIPTION	P/N AVAILABLE SEPARATELY
1	1	Harness, Mid-Bike	2414837
2	1	Harness, LH Saddlebag/Smart Power Supply	2415278
3	1	Harness, RH Saddlebag Audio	2414790
4	1	Harness, Audio Input	2414838
5	1	Mount, Power Supply	5456776
6	4	Wire Cover, Long	5522014
7	2	Bumper, M8	5413778
8	5	Cable Tie	7080138
9	2	Screw, Hex Flange Head, M6 X 1.0 X 20, Black	7517750
10	1	Hook and Loop, Extra Strenght 35 x 25	5814861
11	1	Screw, Hex Flange Head, M6 X 1.0 X 20	7518141
12	1	Nut, Hex Flange, M6 X 1.0	7710495

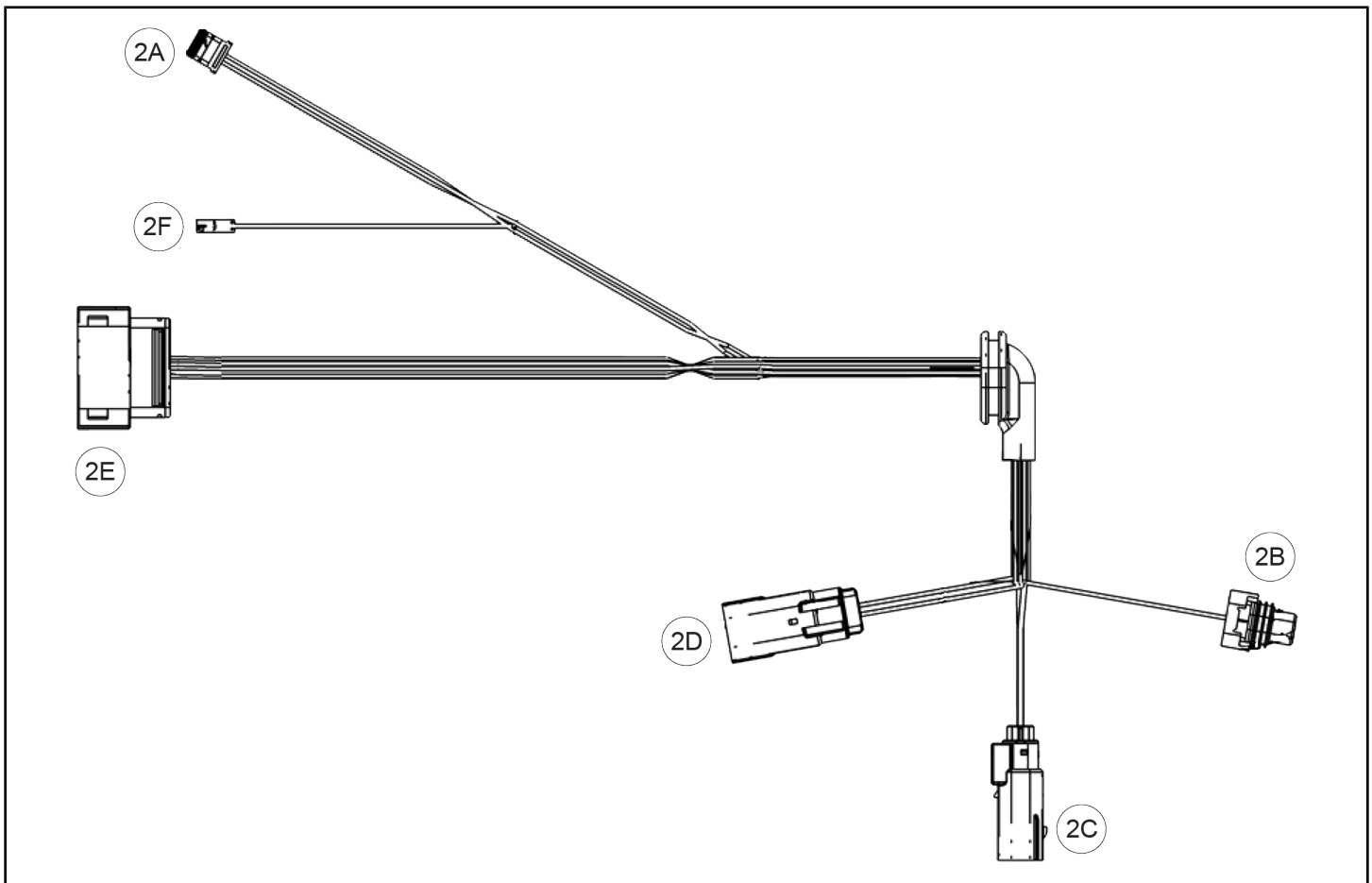
HARNESS DETAIL

MID-BIKE HARNESS ① (PN 2414837)



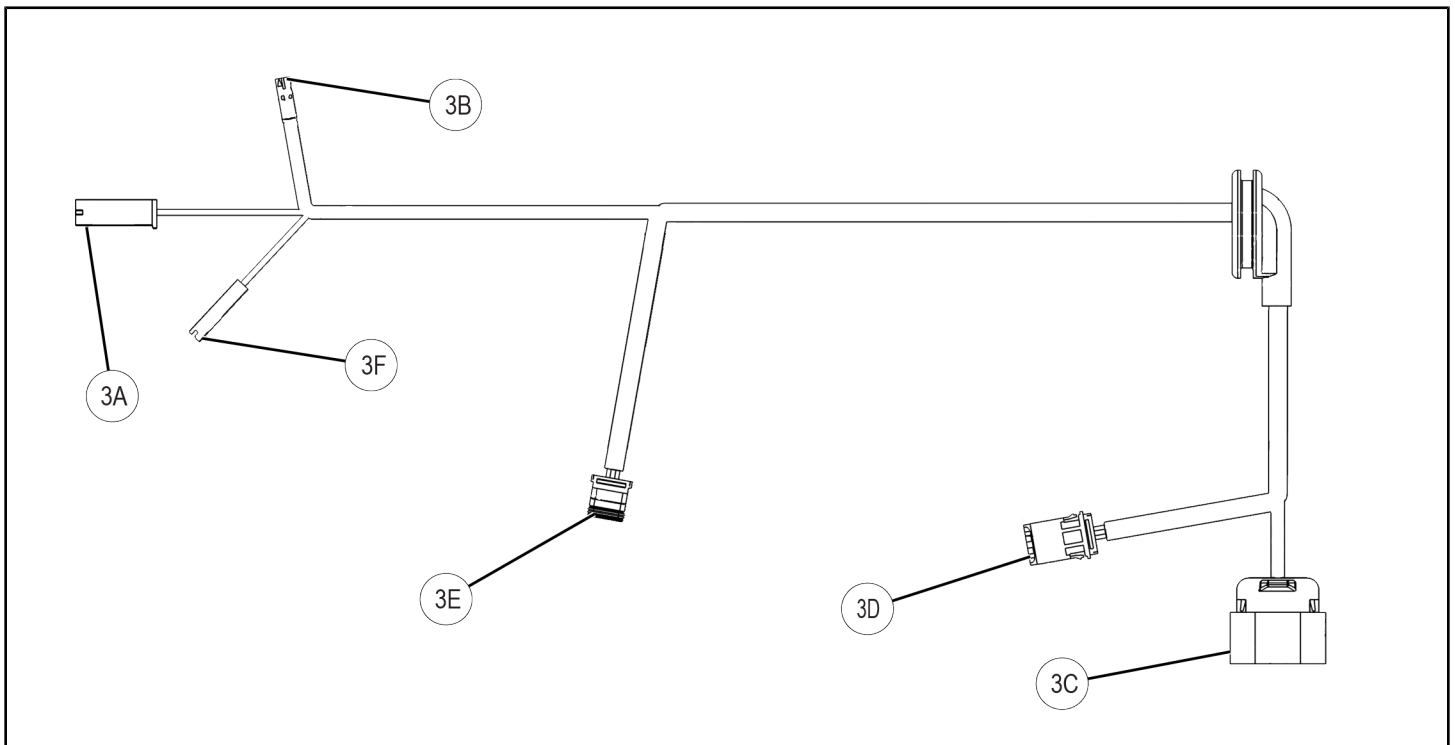
REF	PART DESCRIPTION	PIN QTY/ GENDER	CONNECTS TO
1A	Chassis Harness Connector	16 / Male	Chassis Saddlebag Harness Main Connector
1B	LH Saddlebag/Smart Power Supply Harness Connector	8 / Female	LH Saddlebag/Smart Power Supply Harness Connector 2D
1C	12V Saddlebag Power Port Source Connector	2 / Male	Chassis 12V Power Connector
1D	RH Saddlebag Audio Harness Connector	4 / Female	RH Saddlebag Harness Connector 3D

LH SADDLEBAG/SMART POWER SUPPLY HARNESS ② (PN 2415278)



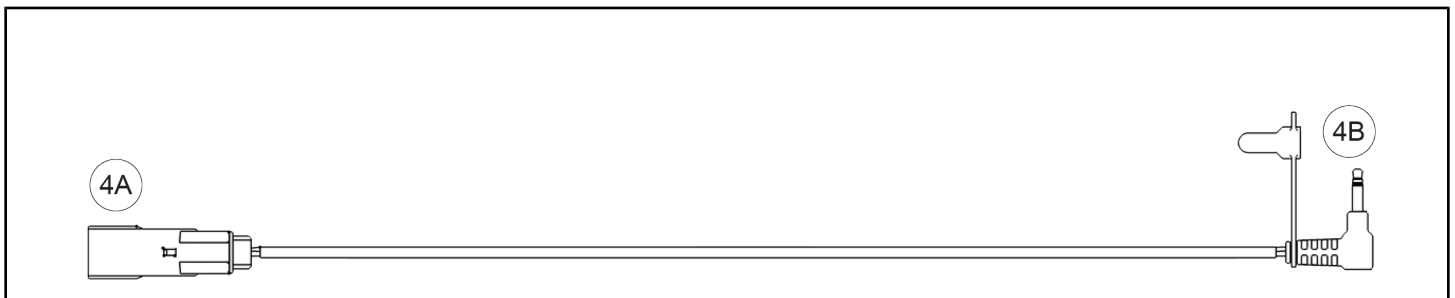
REF	PART DESCRIPTION	PIN QTY/ GENDER	CONNECTS TO
2A	LH Saddlebag Speaker Connector	4/Female	LH Saddlebag Speaker ② (From kit PN 2883922)
2B	Chassis Connector	2/Female	Chassis
2C	Chassis Audio Power Connector	4/Male	Chassis Audio Power
2D	Mid Bike Connector	8/Male	Mid Bike Harness Connector 1B
2E	Smart Power Supply Harness Connector	20/ Female	Smart Power Supply Module ① (from kit PN 2883922)
2F	LH Saddlebag Lid Lock Connector	2/Female	LH Saddlebag Lid Lock

RH SADDLEBAG HARNESS ③ (2414790)



REF	PART DESCRIPTION	PIN QTY/ GENDER	CONNECTS TO
3A	RH Saddlebag Power Port Negative (-) Connector	1/Female	Power Port Negative (-) Terminal
3B	RH Saddlebag Lid Lock Connector	2/Female	RH Saddlebag Lid Lock
3C	Chassis Harness Connector	4/Female	Chassis Harness
3D	RH Saddlebag Audio Connector	4/Male	Mid Bike Harness Connector 1D
3E	RH Saddlebag Speaker Connector	4/Female	RH Saddlebag Speaker ② (from kit PN 2883922)
3F	RH Saddlebag Power Port Positive (+) Connector	1/Female	Power Port Positive (+) Terminal

AUDIO INPUT HARNESS ④ (PN 2414838)



REF	PART DESCRIPTION	PIN QTY/ GENDER	CONNECTS TO
4A	Audio Input Connector	4/Male	Input Connector in Nacelle
4B	3.5mm Input	1/Male	3.5mm Output on Portable Devices

TOOLS REQUIRED

- Safety Glasses
- Pliers, Side Cutting
- Screwdriver Set, Torx®
- Socket Set, Hex Bit, Metric
- Socket Set, Hex Bit, Ball End, Metric
- Socket Set, Metric
- Socket Set, Torx® Bit
- Torque Wrench
- Wrench Set, Metric

CONSUMABLES REQUIRED

- Room Temperature Vulcanizing (RTV) Silicone

IMPORTANT

Your Indian Motorcycle® Springfield Saddlebag Audio MY20+ is exclusively designed for your vehicle. Please read the installation instructions thoroughly before beginning. Installation is easier if the vehicle is clean and free of debris. For your safety, and to ensure a satisfactory installation, perform all installation steps correctly in the sequence shown.

INSTALLATION INSTRUCTIONS

VEHICLE PREPARATION

GENERAL

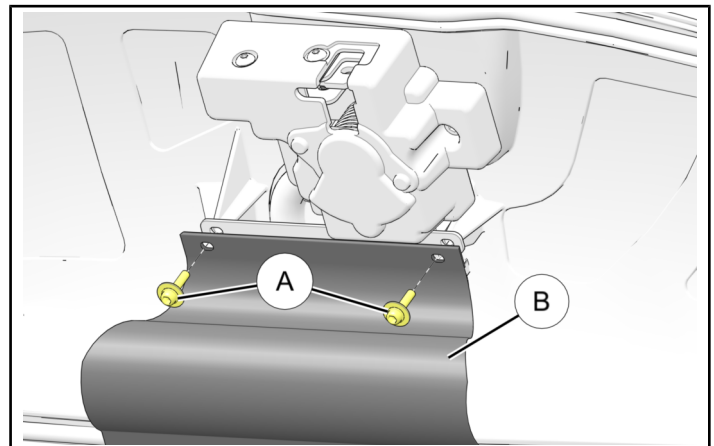
1. Turn key or ignition switch to **OFF** position and remove key. If equipped with keyless fob, remove fob from proximity of vehicle.
2. Ensure motorcycle is parked on a flat surface, kickstand is fully extended, and vehicle is stable prior to installation.
3. Remove seat and side covers as per owner's manual.
4. Disconnect battery as per owner's manual.

ACCESSORY INSTALLATION

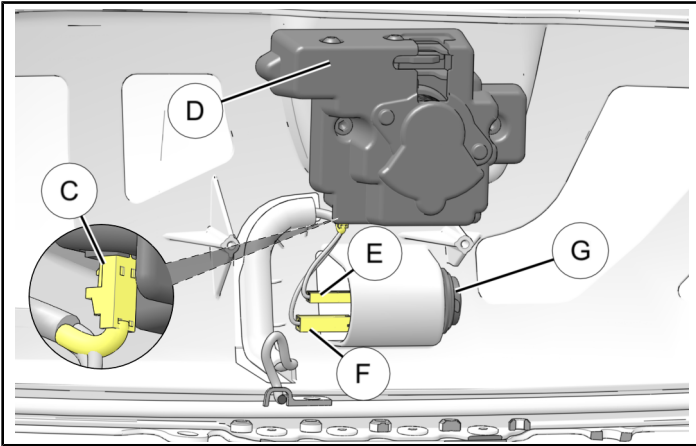
SADDLEBAG LID REMOVAL

These steps apply to both Left and Right Saddlebag lids except as noted.

1. Open saddlebag lid. Remove and retain two screws **A** from wide lid strap **B**.



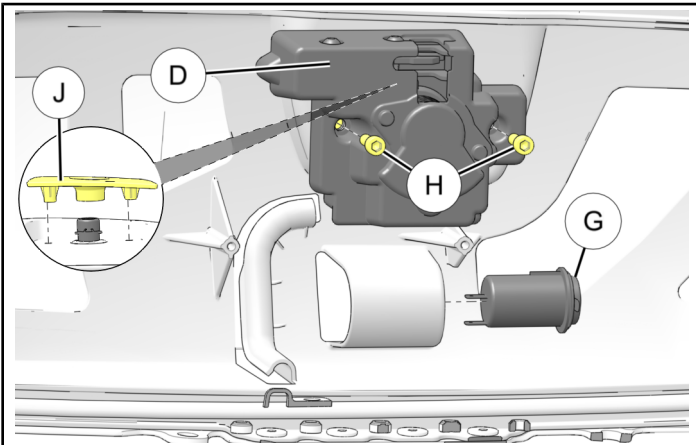
- Unplug electrical connector (C) from lock assembly (D). Unplug electrical terminals (E) and (F) from 12V outlet (G) (12V outlet in RH Saddlebag only).



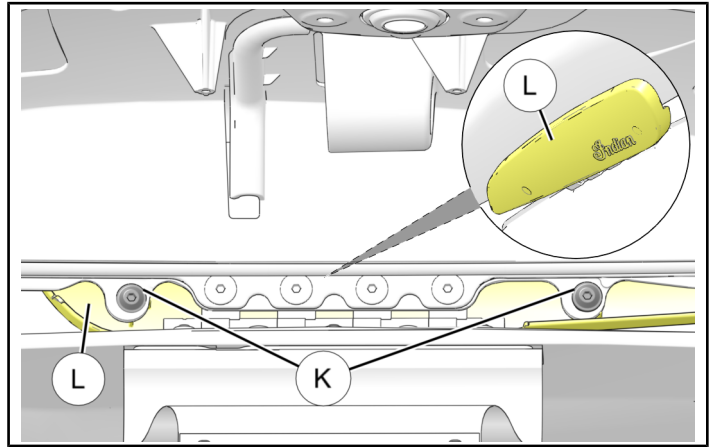
- Remove and retain two screws (H) and remove lock assembly (D) and handle (J) from lid. Remove 12V outlet (G) from lid. (12V outlet in RH Saddlebag only.)

TIP

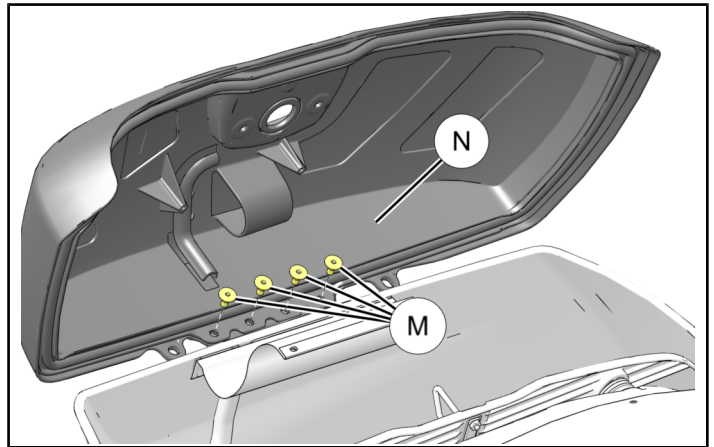
Use a flat tipped screwdriver or other similar hand tool to help remove 12V outlet.



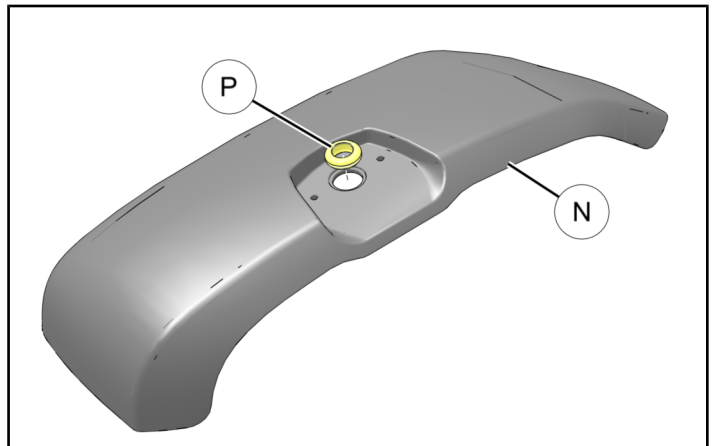
- Remove and retain two screws (K) and remove hinge cover (L). Carefully set aside cover.



- Remove and retain four hinge screws (E) and remove Saddlebag Lid (F). Carefully set lid on a soft cloth to prevent scratching painted surface.



- Carefully remove and retain lock cylinder grommet (P) from stock Saddlebag lid (N).



- Repeat this section for opposite side saddlebag lid.

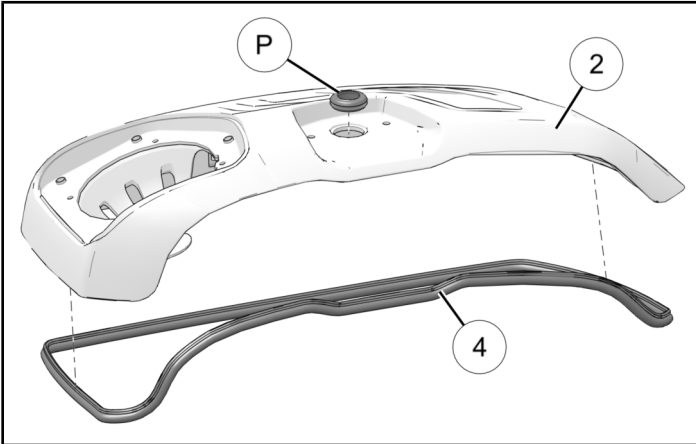
SADDLEBAG LID INSTALLATION

NOTICE

This section is for installation of Saddlebag Lid Kit PN 2883666-XXX found in **Required Sold Separately** section of these instructions.

These steps apply to both Left and Right Saddlebag lids except as noted. Only RH lid shown.

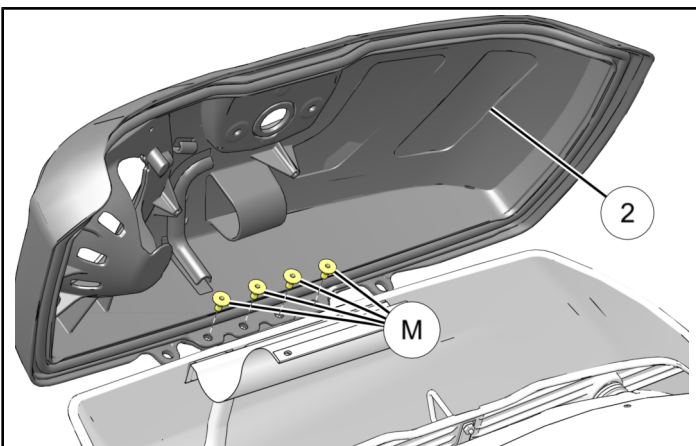
1. Install retained lock cylinder grommet (P) to new saddlebag lid (1) and (2). Install Saddlebag Lid Seals (4) into groove in underside of lids.



2. Hold new lid (2) vertically and install to saddlebag hinge using four retained screws (M). Torque screws to specification.

TORQUE

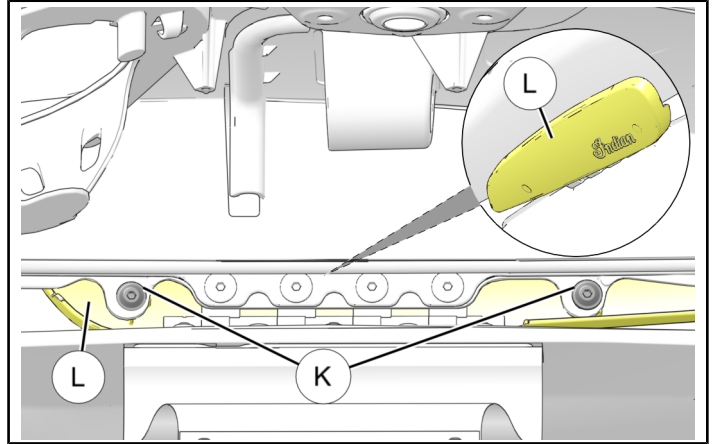
Saddlebag Lid Screws (M):
84 in-lbs (9.5 N·m)



3. Install retained hinge cover (L) using two retained screws (K). Torque screws to specification.

TORQUE

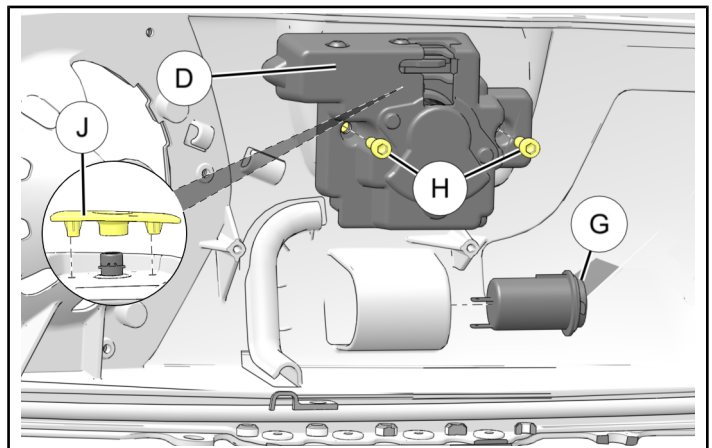
Hinge Cover Screws (K):
36 in-lbs (4 N·m)



4. Install retained lock assembly (D) to new lid with two retained screws (H) and handle (J) (from previously removed lid). Press retained 12V outlet (G) into lid. (12V outlet in RH Saddlebag only.) Torque lock assembly screws to specification.

TORQUE

Lock Assembly Screws (H):
65 in-lbs (7.5 N·m)



5. Repeat this section for opposite side saddlebag lid.

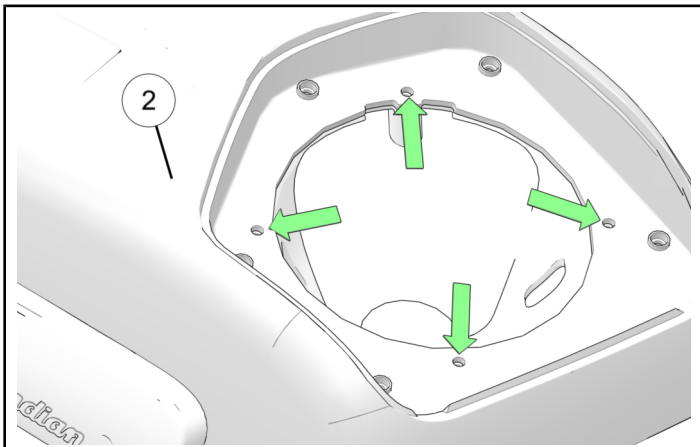
SADDLEBAG SPEAKER INSTALLATION

NOTICE

This section is for installation of the 6.5 Inch Speakers from *6.5 Inch Speaker and Amplifier Kit PN 2884342* found in **Required Sold Separately** section of these instructions.

These steps apply to both Left and Right Saddlebag lids except as noted. Only RH lid shown.

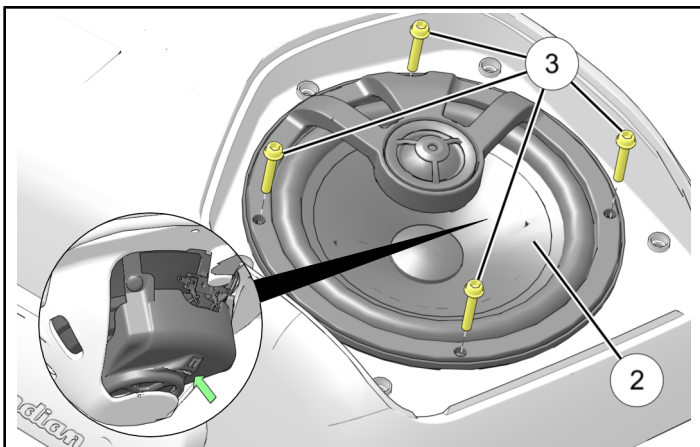
1. Inspect speaker fastener holes (shown with arrows) in saddlebag lid ②. If a foam seal is seen in hole skip to step 3. If no foam seal is found, apply RTV to speaker fastener holes (shown with arrows) in saddlebag lid ②.



2. Wipe excess RTV from surface.
3. Insert speaker ② (from *6.5 inch Speaker and Amplifier Kit PN 2884342*) into lid opening with speaker connector in basket opening as shown with arrow. Secure speaker with four screws ③ (from *Saddlebag Lid Kit PN 2883666*). Torque screws to specification.

TORQUE

Speaker Screws ③:
20 in-lbs (2.25 N·m)



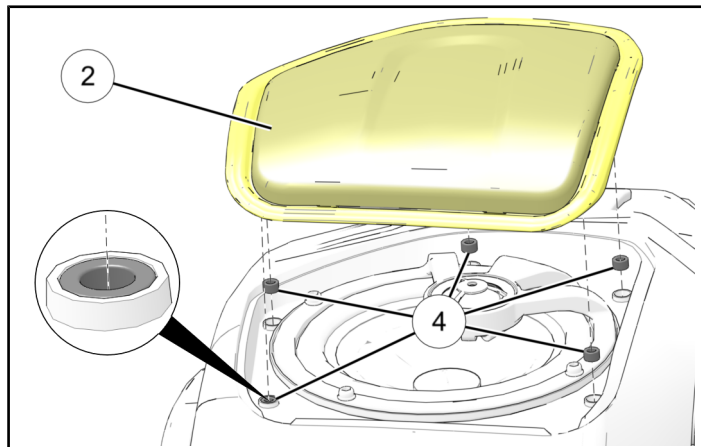
4. Clean any excess RTV from speaker.

SPEAKER GRILL INSTALLATION

NOTICE

This section is for installation of the Speaker Grills from *Speaker Grill Kit PN 2883665* found in **Required Sold Separately** section of these instructions.

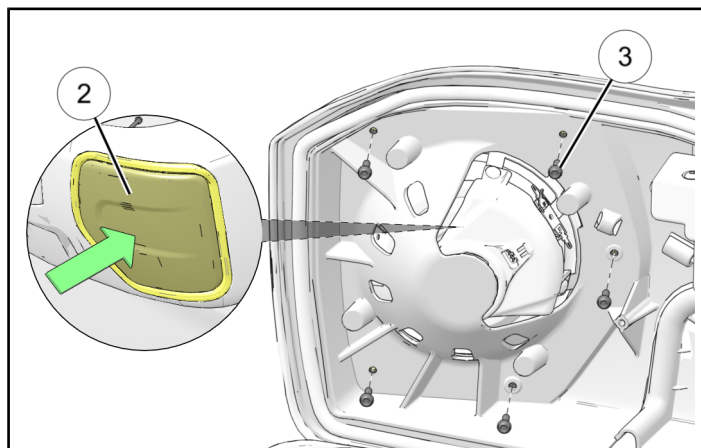
1. Insert five rubber washers ④ (from *Speaker Grill Kit PN 2883665*) into openings in lid. Ensure washers are fully inserted into openings. Set and hold speaker grill ② (from *Speaker Grill Kit PN 2883665*) in place with one hand and open saddlebag lid continuing to hold grill in place for next step.



2. While applying light pressure to hold grill ② in place install five screws ③ (from *Speaker Grill Kit PN 2883665*). Torque screws to specification.

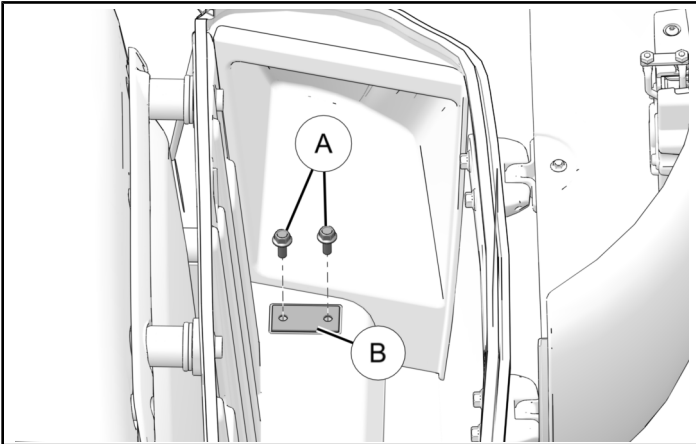
TORQUE

Speaker Grill Screws ③:
10 in-lbs (1 N·m)

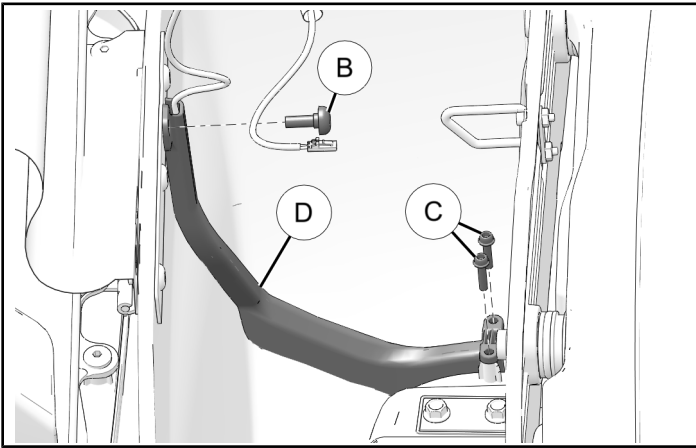


POWER SUPPLY MODULE INSTALLATION

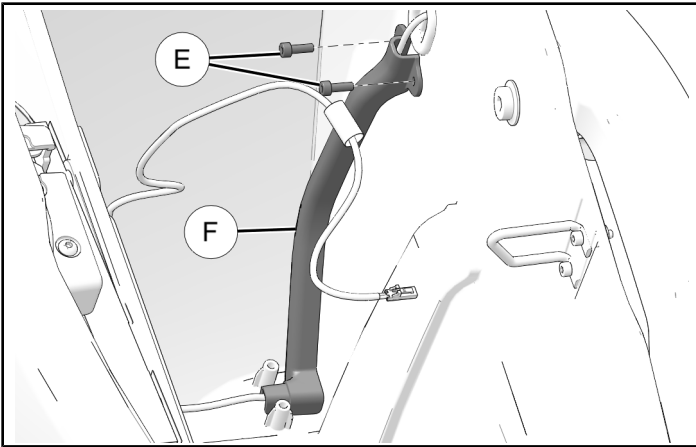
1. Open LH Saddlebag lid. Remove and discard two screws (A). Leave plate (B) in place as it will be reused.



2. Remove and retain screws (B) and (C), and wire cover (D).



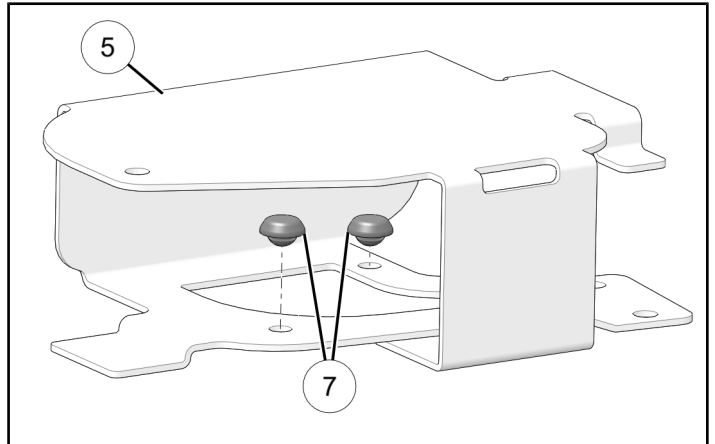
3. Remove and retain two screws (E) and wire cover (F).



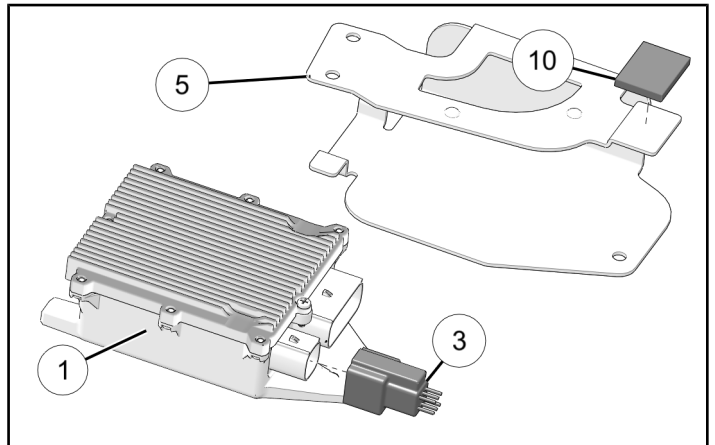
4. Unplug connector from saddlebag lock, remove rubber plug, and pull wire through opening and out of saddlebag.



5. Insert two rubber bumpers (7) into power supply mount (5) as shown.



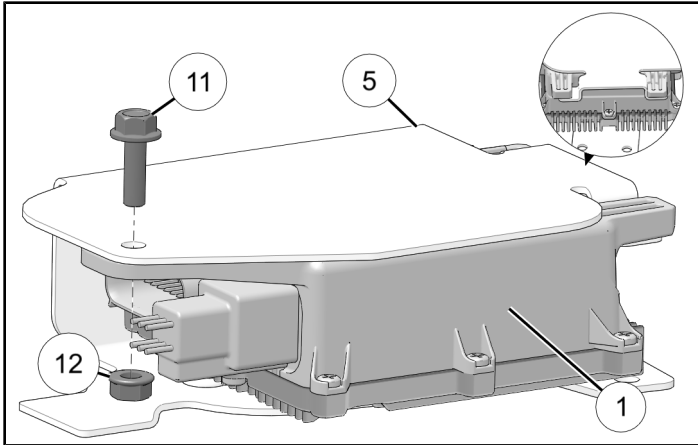
6. Install connector cap (3) (from kit PN 2884342) to smaller terminal on power supply module (1). Peel backing paper from one side of hook and loop (10) and attach to bottom of power supply mount (5) as shown.



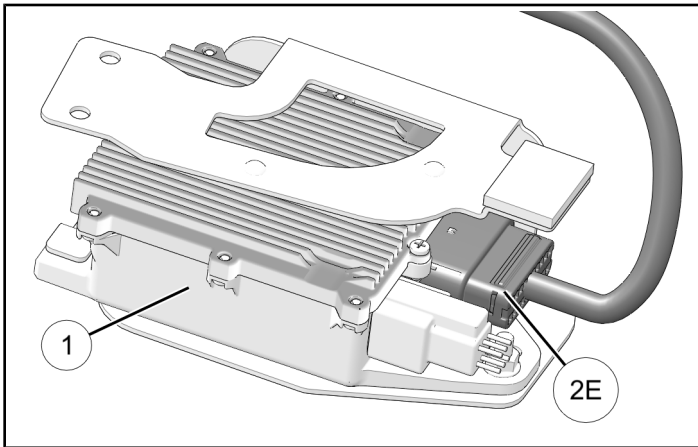
7. Insert power supply module ① (from kit PN 2884342) into power supply mount ⑤, ensure tabs are aligned above metal arms of mount and secure with screw ⑪ and nut ⑫. Torque fastener to specification.

TORQUE

Power Supply Module Screw ⑪:
84 in-lbs (9.5 N·m)

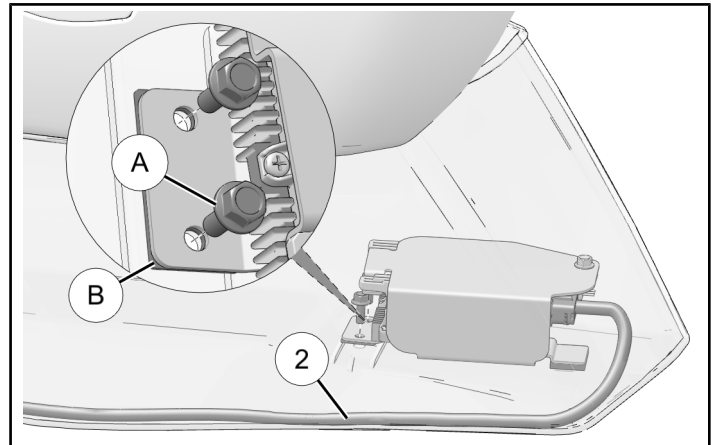


8. Install connector 2E to power supply module ① connector

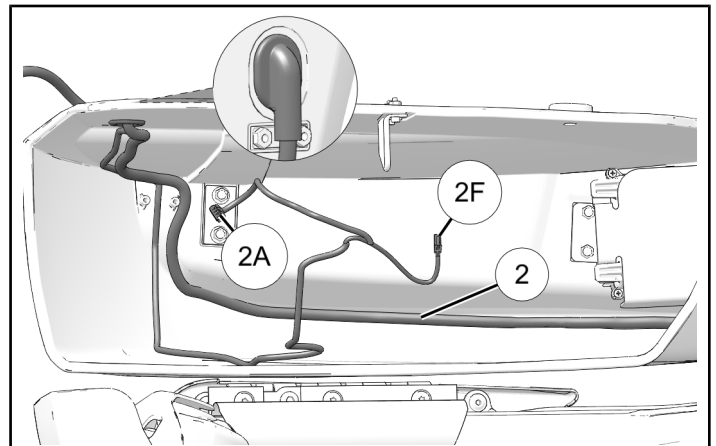


9. Peel backing paper from exposed side of hook and loop ⑩.

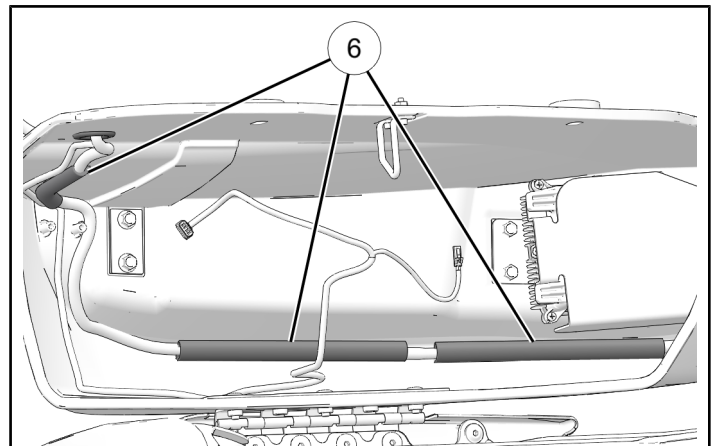
10. Install power supply module into LH saddlebag. Align bolt holes and install new bolts ⑨ through plate ⑧ and loosely thread in place. Press rear of power supply assembly to bond hook and loop to saddlebag base. Route harness ② on outer edge of saddlebag.



11. Route harness ② along base of saddlebag and up to opening. Route harness out opening, leaving 2A and 2F connectors inside saddlebag.



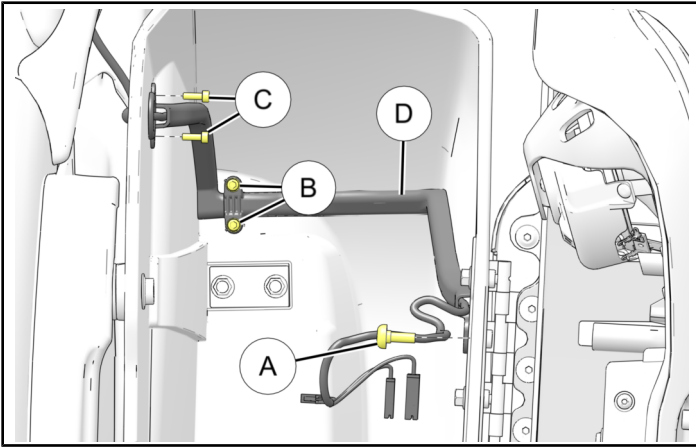
12. Install harness covers ⑥ at base of bin and along inside wall as shown.



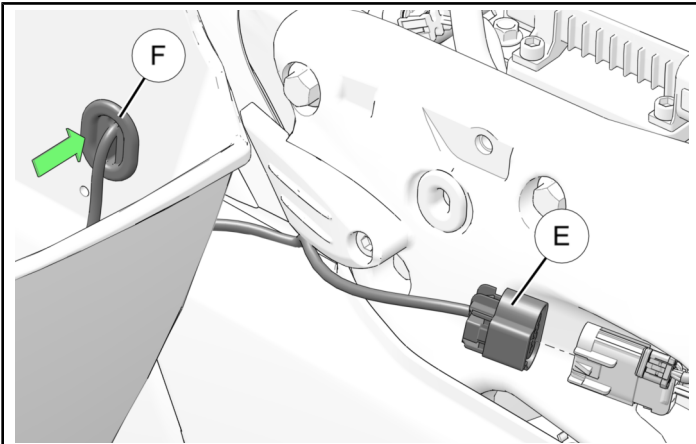
SADDLEBAG AUDIO HARNESS INSTALLATION

STOCK SADDLEBAG HARNESS REMOVAL

1. Remove and retain one screw (A), two screws (B), and two screws (C). Make note of screw locations. Remove and retain wire channel (D).



2. Disconnect stock chassis harness connector (E) from chassis harness. Push rubber grommet (F) out of saddlebag and pull stock harness from saddlebag. Discard stock harness.

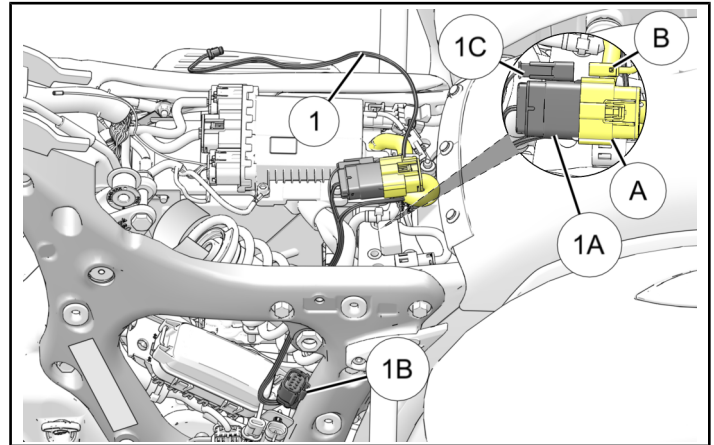


3. Repeat this section for opposite side saddlebag.

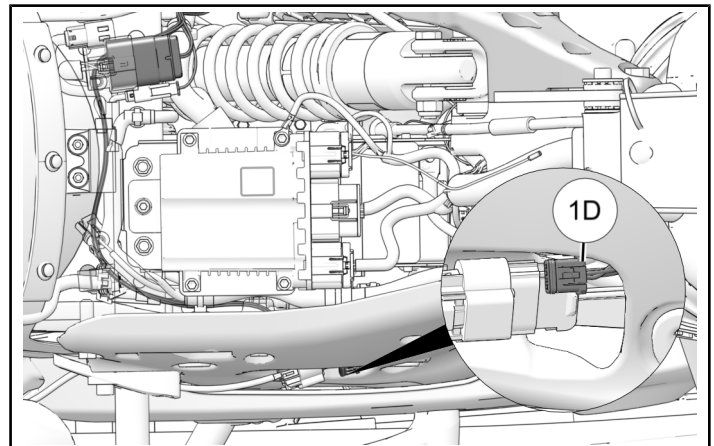
MID-BIKE HARNESS INSTALLATION

1. Connect the following connectors together:
 - Mid-Bike Harness (1) Chassis Harness Connector 1A to Chassis side Saddlebag Harness Main Connector (A)
 - Mid-Bike Harness (1) 12V Saddlebag Power Port Source Connector 1C to Chassis 12V Power Connector (B)

Route connector 1B under frame and out opening as shown.

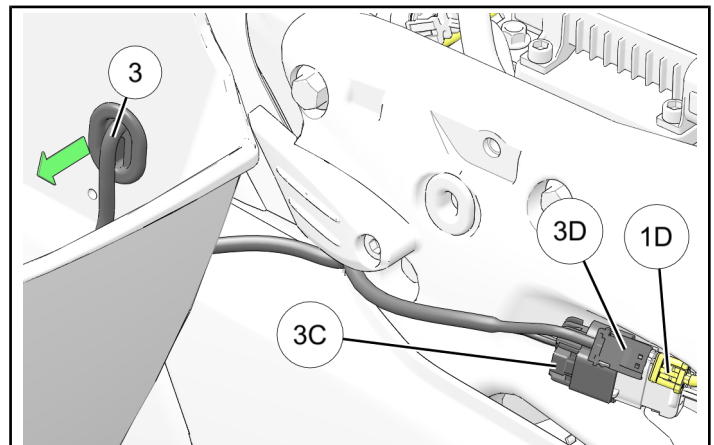


2. Route wiring and connector 1D around ECU along frame and out opening in right side frame as shown.



SADDLEBAG AUDIO HARNESS INSTALLATION

1. Feed RH wire harness (3) into saddlebag bin through harness opening. Install wire harness grommet into opening. Plug RH Chassis Harness Connector 3C into Chassis Harness Connector. Plug RH Chassis Audio Harness Connector 3D into RH Saddlebag Audio Connector (Long Lead) 1D.



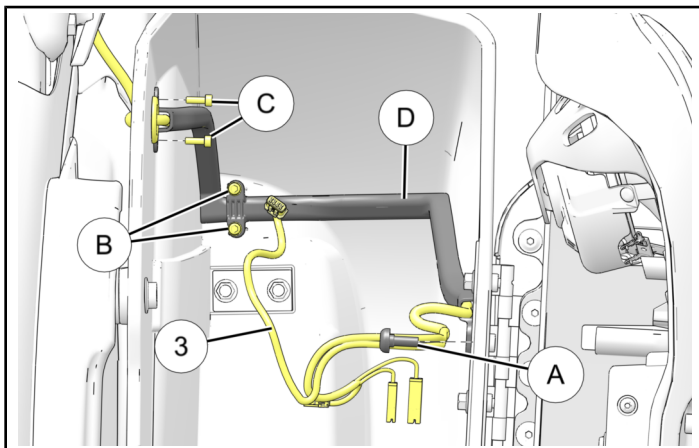
2. Repeat step one for LH wire harness ② connecting LH Chassis Connector (2D) into underseat harness ① LH Saddlebag Audio Harness Connector (1B).
3. Install new wiring harness ③ into saddlebag and install retained wire channel ④ into place. Ensure wiring is not pinched and reinstall retained screws ⑤, ⑥, and ⑦. Torque screws to specification.

TORQUE

Saddlebag wire channel screw ⑤:
36 in-lbs (4 N·m)

TORQUE

Saddlebag wire channel screw ⑥ and ⑦:
15 in-lbs (1.7 N·m)



4. Route saddlebag harness wire through built-in channel in lid (shown with arrow). Plug the following terminals in:

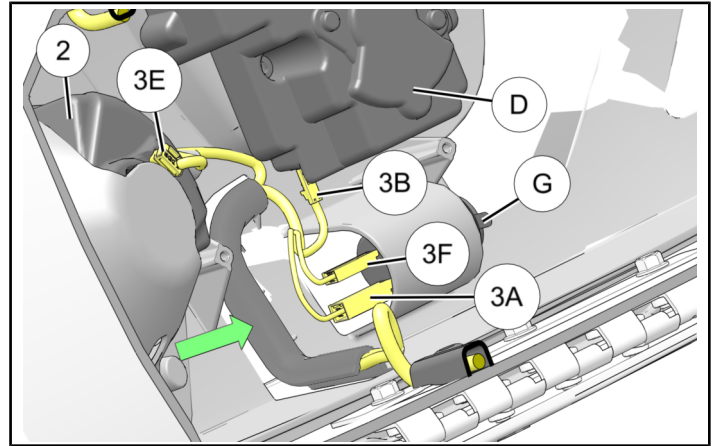
• RH Saddlebag (Shown in image)

- 3A (RH Saddlebag Power Port Negative (-) connector) into Negative (-) terminal on 12V outlet ⑥
- 3B (RH Saddlebag Lock connector) into RH Saddlebag Lid Lock ④
- 3E (RH Saddlebag Speaker connector) into RH Speaker ②
- 3F (RH Saddlebag Power Port Positive (+) connector) into Positive (+) terminal on 12V outlet ⑥

• LH Saddlebag (Not shown in image)

- 2F (LH Saddlebag Lock connector) into LH Saddlebag Lid Lock ④
- 2A (LH Saddlebag Speaker connector) into LH Speaker ②

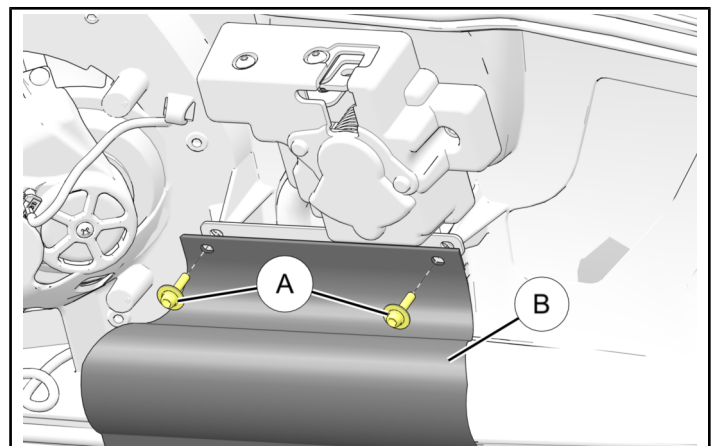
LH Saddlebag does not contain 12V Outlet. Ensure wires routed in channel stay in channel when lid is closed. Adjust if needed.



5. Resecure lid strap ⑥ with two retained fasteners ⑦ and torque to specification.

TORQUE

Saddlebag Lid Strap Screws ⑦:
15 in-lbs (1.7 N·m)



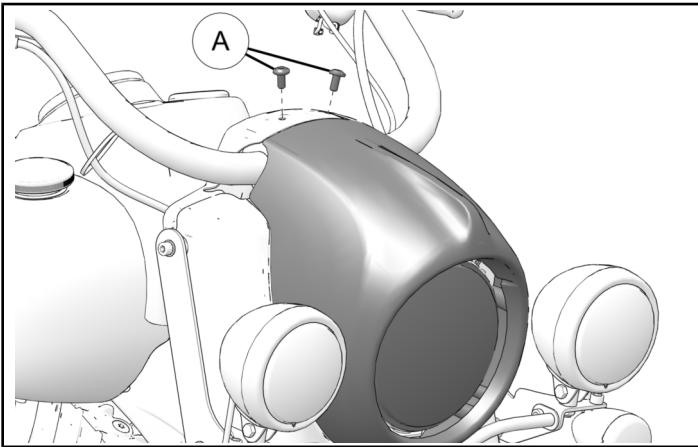
6. Repeat previous step for opposite side saddlebag lid strap.

AUDIO INPUT HARNESS INSTALLATION

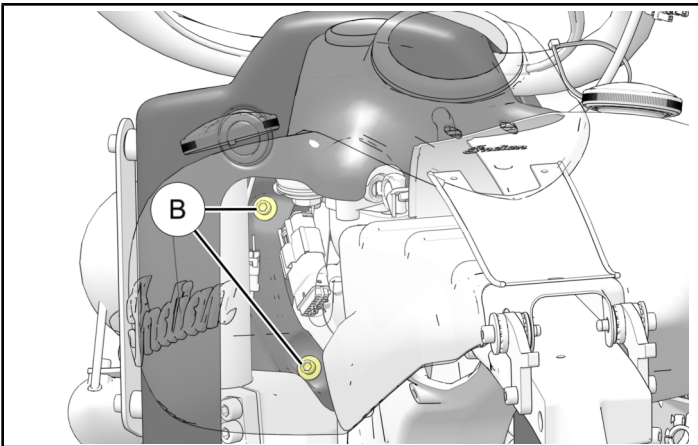
NACELLE REMOVAL

1. If equipped, remove windshield as per owner's manual.

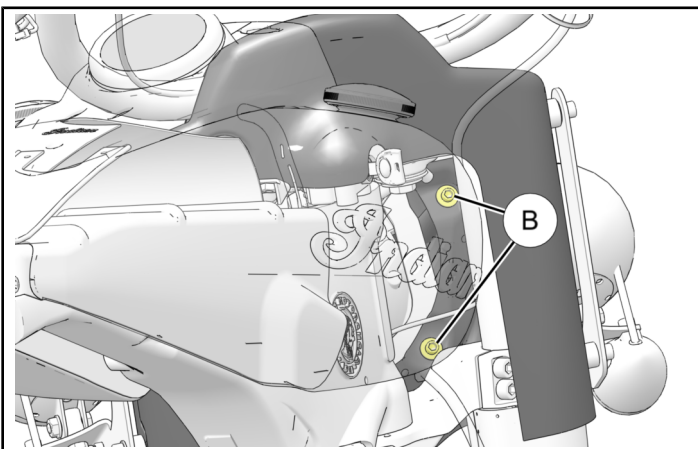
2. Remove and retain two screws (A) from top of nacelle.



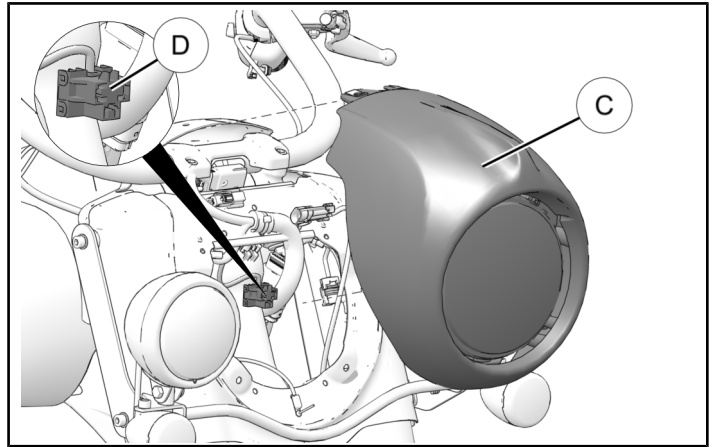
3. Turn handlebars to right until locked. Remove and retain two screws and washers (B) from inside of nacelle.



4. Turn handlebars to left until locked. Remove and retain two more screws and washers (B) from inside of nacelle.

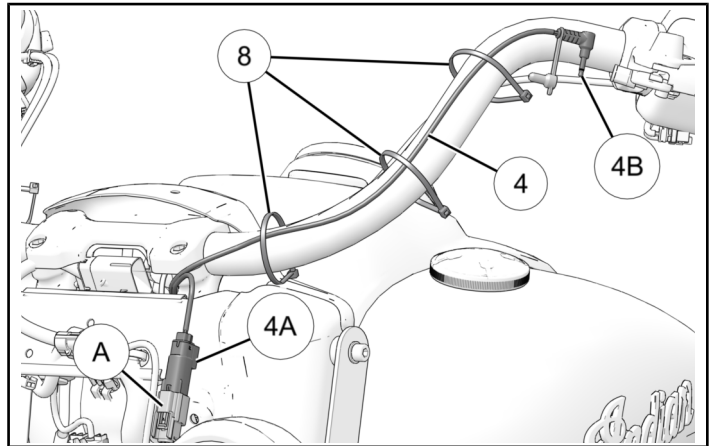


5. Pull nacelle and headlight assembly (C) from bike, disconnect headlight electrical connector (D). Carefully set assembly aside.



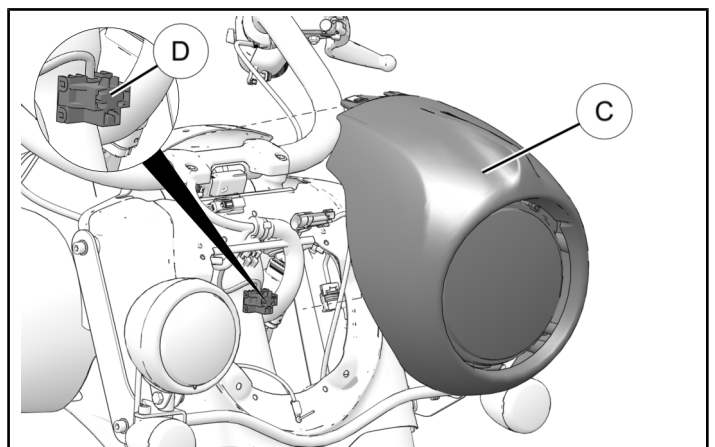
AUDIO INPUT HARNESS INSTALLATION

1. Plug Audio Input Connector 4A into Input Connector (A) in Nacelle. Route 3.5mm Input 4B end of harness (4) up handlebar to grip and secure with cable ties (8).

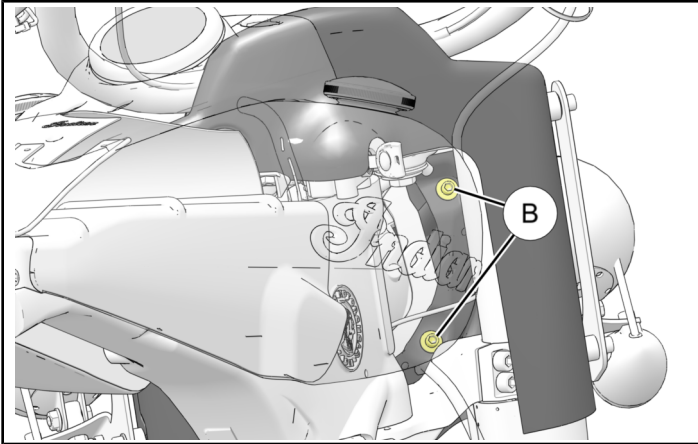


NACELLE INSTALLATION

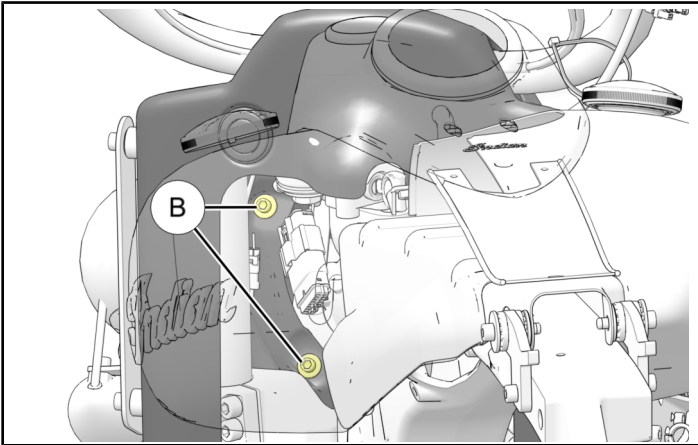
1. Connect headlight electrical connector (D) into headlight and install nacelle assembly (C) into place.



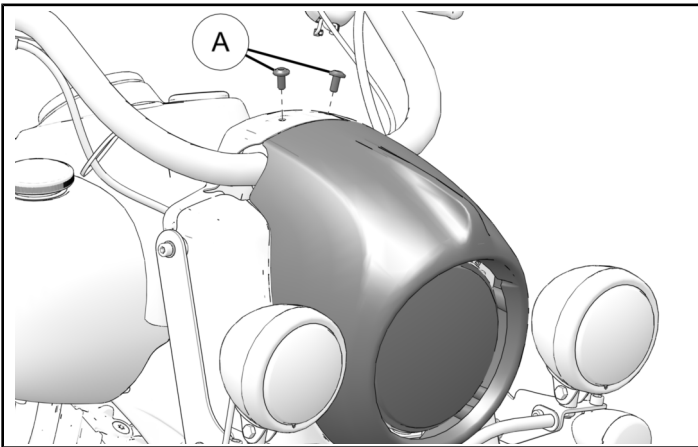
2. Turn handlebars to left until locked. Loosely install two retained screws and washers (B). **DO NOT tighten screws at this time.**



3. Turn handlebars to right until locked. Loosely install two retained screws and washers (B). **DO NOT tighten screws at this time.**



4. Loosely install two retained screws (A) into top of nacelle.



5. Ensure all wires and cables are properly tucked inside nacelle. Ensure nacelle is properly aligned and torque screws to specification.

TORQUE

Nacelle top screws (A):
36 in-lbs (4 N·m)

TORQUE

Nacelle inner screws (B):
75 in-lbs (8 N·m)

VEHICLE REASSEMBLY

GENERAL

1. If equipped, reinstall windshield as per owner's manual.
2. Reconnect battery as per owner's manual.
3. Reinstall side covers and seat as per owner's manual.

FEEDBACK FORM

A feedback form has been created for the installer to provide any comments, questions or concerns about the installation instructions. The form is viewable on mobile devices by scanning the QR code or by clicking [HERE](#) if viewing on a PC.

