

SADDLEBAG KIT



P/N 2884924-XXX

BEFORE YOU BEGIN

Read these instructions and check to be sure all parts and tools are accounted for. Please retain these installation instructions for future reference and parts ordering information.

APPLICATION

Verify accessory fitment at www.indianmotorcycle.com.

IMPORTANT

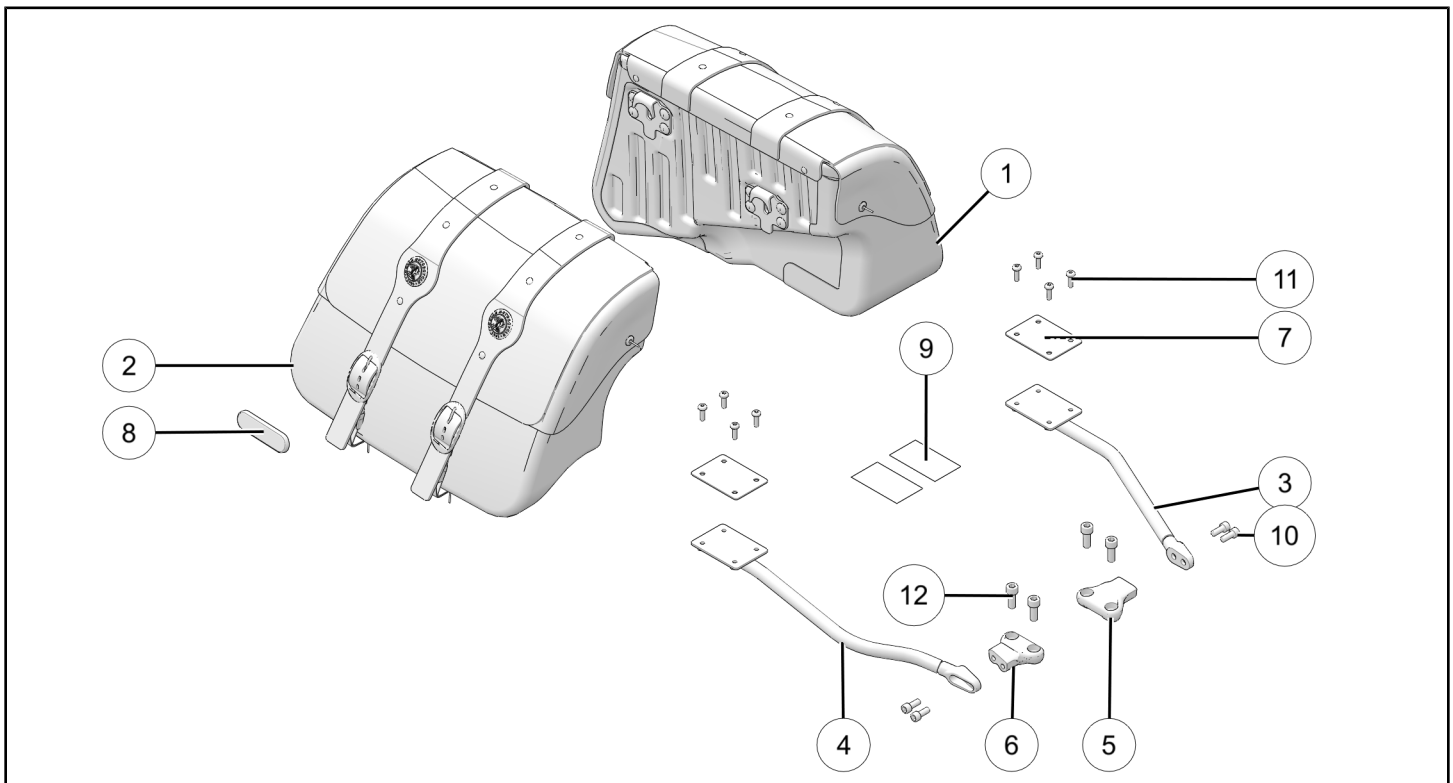
This accessory Saddlebag Kit cannot be used with the Bolt-On Sissy Bar Kit (P/N 2884631).

REQUIRED SOLD SEPARATELY

Only parts for installation of the Indian Motorcycle® Saddlebag Kit are included. Prior installation of the following kit is required (sold separately):

- *Accessory Spool Kit*, P/N 2884925

KIT CONTENTS



NOTICE

XXX = Indian Motorcycle® color code (For example: 266 = Black)

REF	QTY	PART DESCRIPTION	P/N AVAILABLE SEPARATELY
1	1	Saddlebag Assembly, Left Hand	1025278-XXX
2	1	Saddlebag Assembly, Right Hand	1025279-XXX
3	1	Saddlebag Support Assembly, Left Hand	1026519-XXX
4	1	Saddlebag Support Assembly, Right Hand	1026520-XXX
5	1	Saddlebag Support, Left Hand	5144146-XXX
6	1	Saddlebag Support, Right Hand	5144147-XXX
7	2	Bracket	5271223
8	1	Reflector, Red	5458058
9	2	Decal, Cargo 10 lb	7193455
10	4	Screw, Hex Socket Head, M8 x 1.25 x 20 mm	7516738
11	8	Screw, Torx® Pan Head, M6 x 1.0 x 20 mm	7518546
12	4	Screw, Hex Socket Head, M10 x 1.5 x 25 mm	7519890

TOOLS REQUIRED

- Safety Glasses
- Socket Set, Torx® Bit
- Socket Set, Hex Bit, Metric
- Torque Wrench

CONSUMABLES REQUIRED

- 50/50 mixture of Isopropyl Alcohol (IPA) and water

IMPORTANT

Your Indian Motorcycle® Saddlebag Kit is exclusively designed for your vehicle. Please read the installation instructions thoroughly before beginning. Installation is easier if the vehicle is clean and free of debris. For your safety, and to ensure a satisfactory installation, perform all installation steps correctly in the sequence shown.

INSTALLATION INSTRUCTIONS

VEHICLE PREPARATION

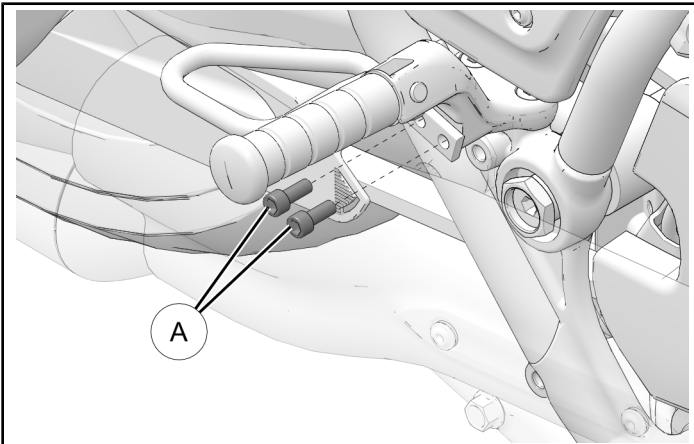
GENERAL

1. Park motorcycle on a flat surface, fully extend kickstand, and make sure vehicle is stable.
2. Turn key or ignition switch to OFF position and remove key. If equipped with keyless fob, remove fob from proximity of vehicle.

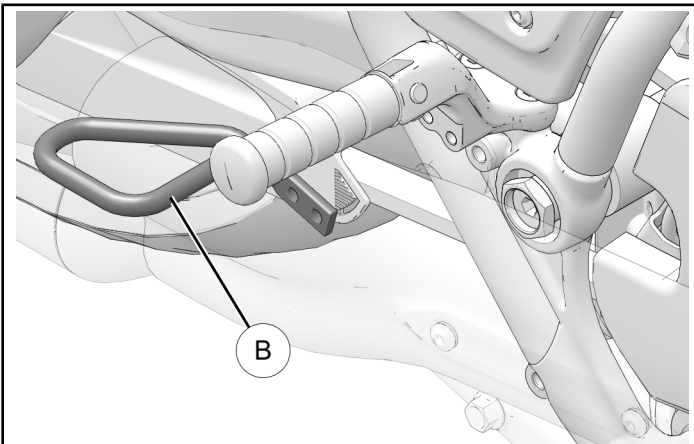
MOTORCYCLES WITH PASSENGER FOOT PEGS

RIGHT HAND HEEL GUARD REMOVAL

1. Remove the right hand heel guard fasteners (A).



2. Remove the right hand heel guard (B).



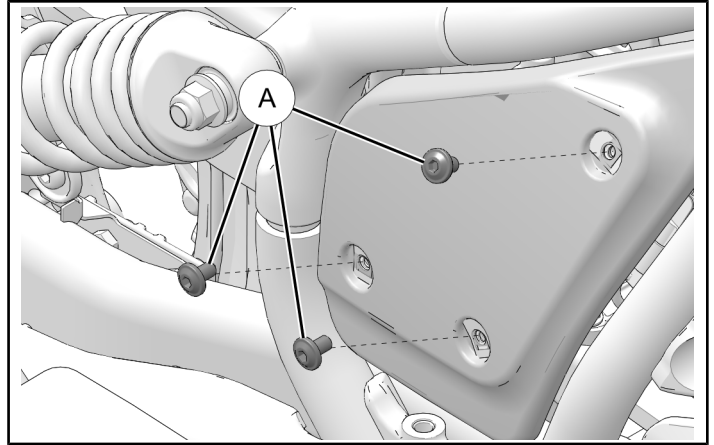
MOTORCYCLES WITHOUT PASSENGER FOOT PEGS

SIDE COVERS REMOVAL

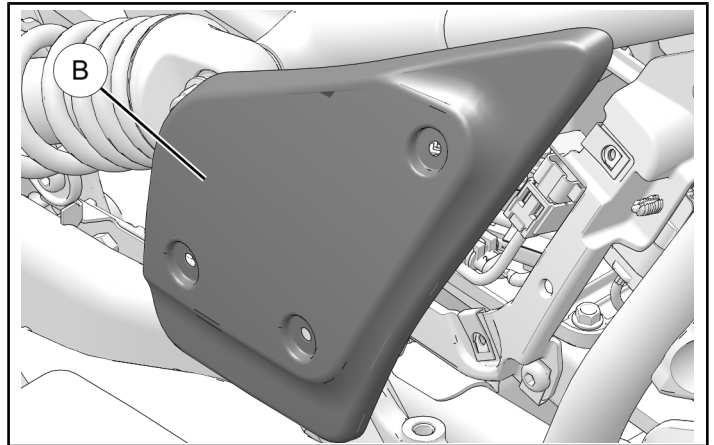
NOTICE

Right-hand side cover shown; left-hand side cover similar.

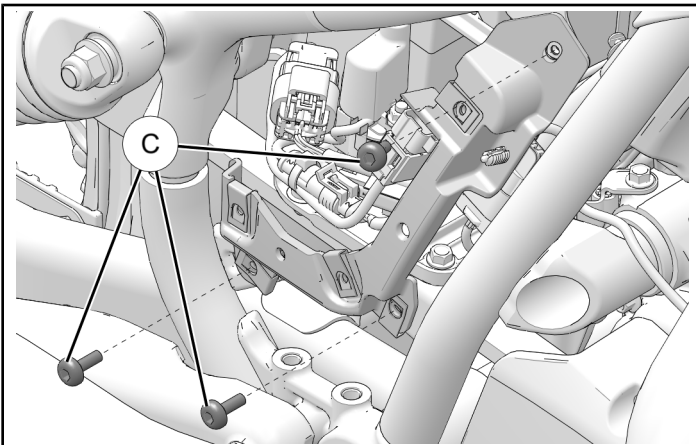
1. Remove three side cover fasteners (A).



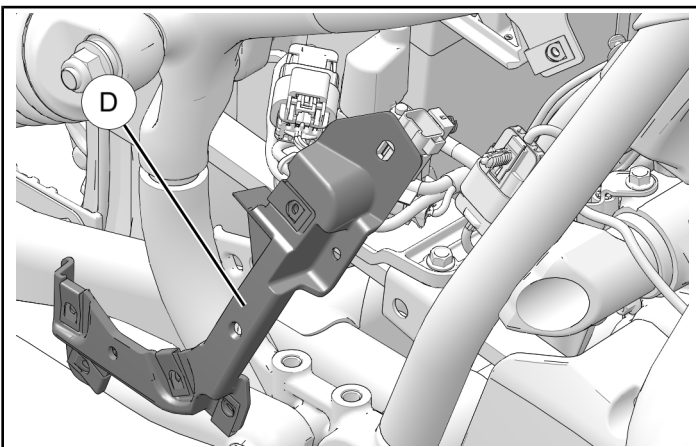
2. Remove the side cover (B).



3. Remove three side cover bracket fasteners ③.



4. Remove the side cover bracket ④.



ACCESSORY INSTALLATION

SADDLEBAG SUPPORT INSTALLATION (MOTORCYCLES WITHOUT FOOT PEGS)

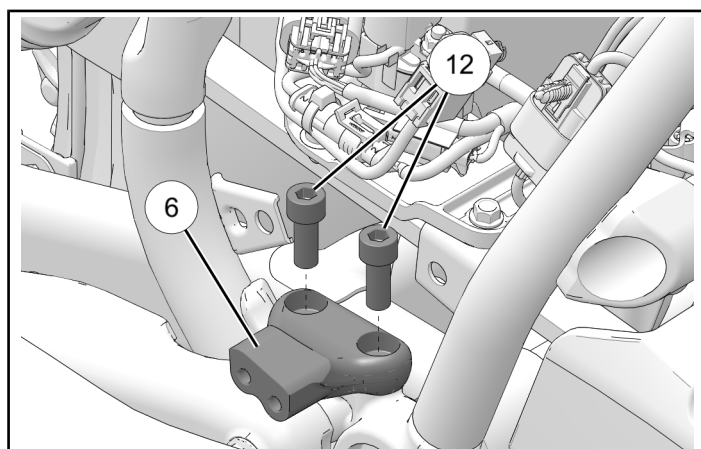
NOTICE

Right-hand saddlebag shown; left-hand saddlebag similar.

1. Attach right hand saddlebag support ⑥ to frame with two saddlebag support screws ⑫. Torque to specification.

TORQUE

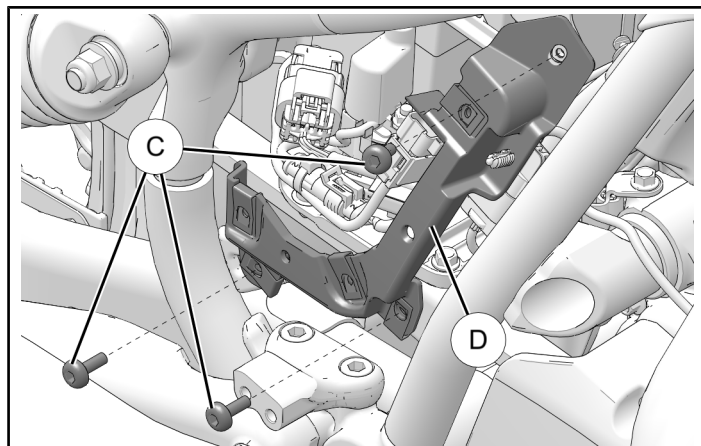
Saddlebag Support Screws ⑫:
35 ft-lbs (47.5 N·m)



2. Attach right hand side cover bracket ④ to the motorcycle with the side cover bracket fasteners ③. Torque to specification.

TORQUE

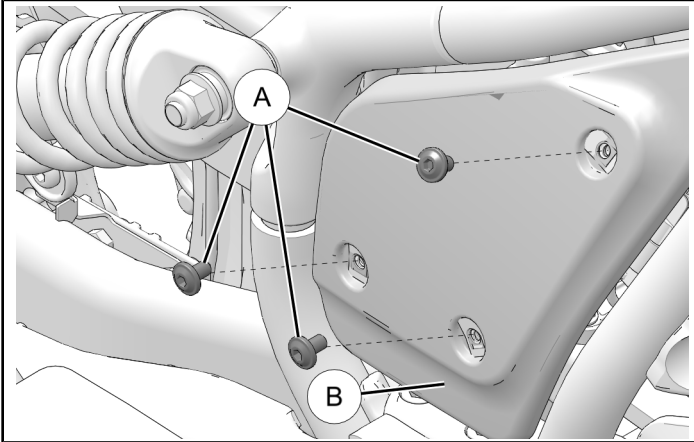
Side Cover Bracket Fasteners ③:
35 in-lbs (4 N·m)



3. Attach right hand side cover **(B)** to the motorcycle with three retained side cover fasteners **(A)**. Torque to specification.

TORQUE

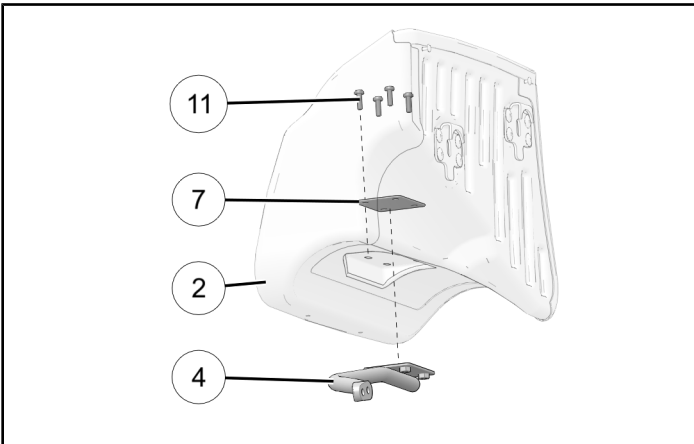
Side Cover Fasteners **(A)**:
35 in-lbs (4 N·m)



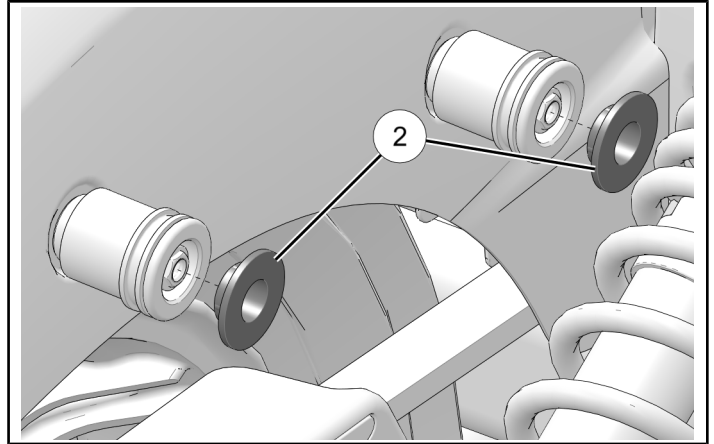
SADDLEBAG ASSEMBLY AND INSTALLATION

1. Loosely assemble the bracket **(7)** and right hand saddlebag support assembly **(4)** to the saddlebag **(2)** with four screws **(11)**.

Do NOT torque fasteners at this time.



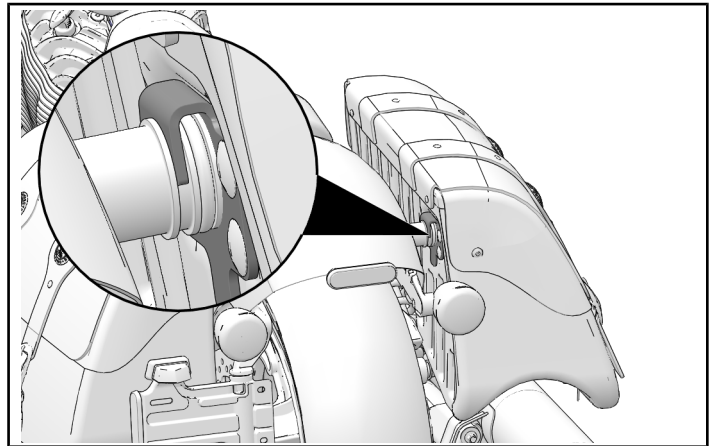
2. Put a rubber flange bushing **(2)** from previously installed Accessory Spool Kit (P/N 2884925) in the end of the saddlebag spools.



3. Put saddlebag on previously installed Accessory Spool Kit (P/N 2884925).

IMPORTANT

Make sure the saddlebag's hook is seated in the spool bushing's groove.

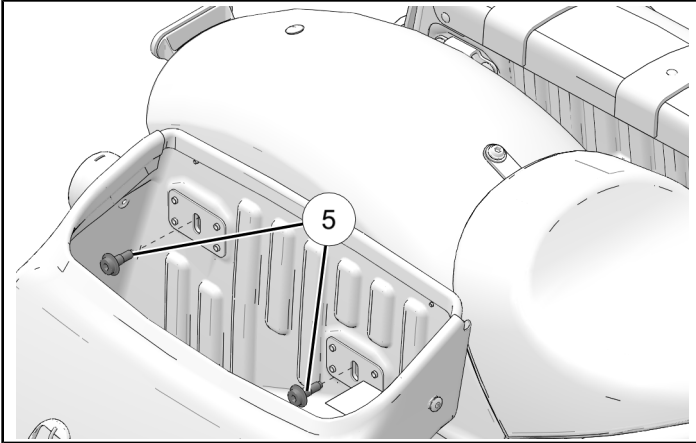


4. Loosely install shoulder bolts ⑤ from Accessory Spool Kit (P/N 2884925) through inside of saddlebag.

Do NOT torque fasteners at this time.

NOTICE

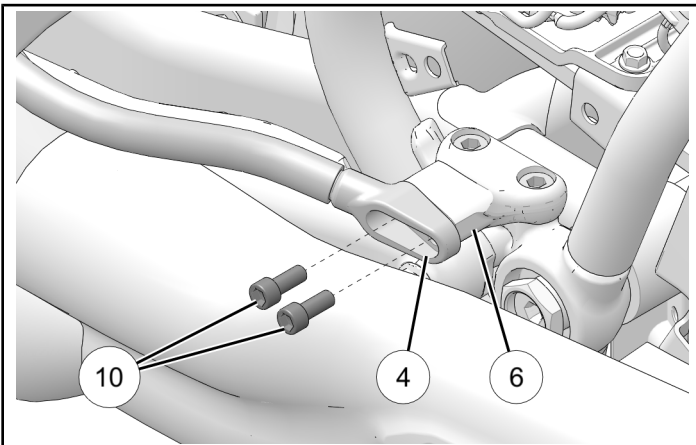
Some parts are hidden from image to improve clarity.



5. Attach the right hand saddlebag support assembly ④ to right hand saddlebag support ⑥ with two screws ⑩. Torque screws to specification.

TORQUE

Saddlebag Support Screws ⑩:
18 ft-lbs (25 N·m)



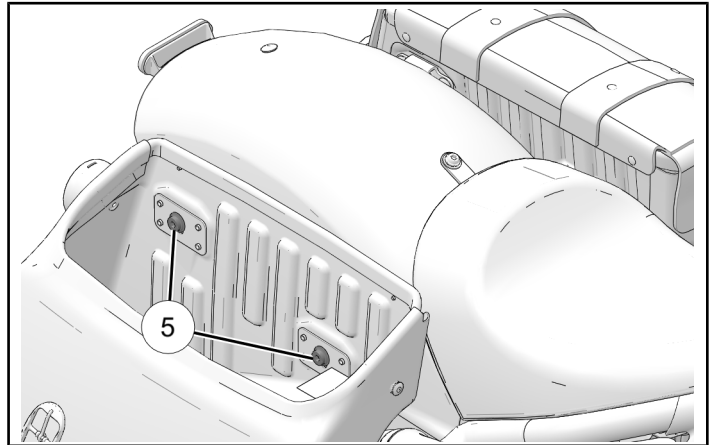
6. Torque saddlebag shoulder bolts ⑤ to specification.

TORQUE

Saddlebag Shoulder Bolts ⑤:
13 ft-lbs (18 N·m)

NOTICE

Some parts are hidden from image to improve clarity.



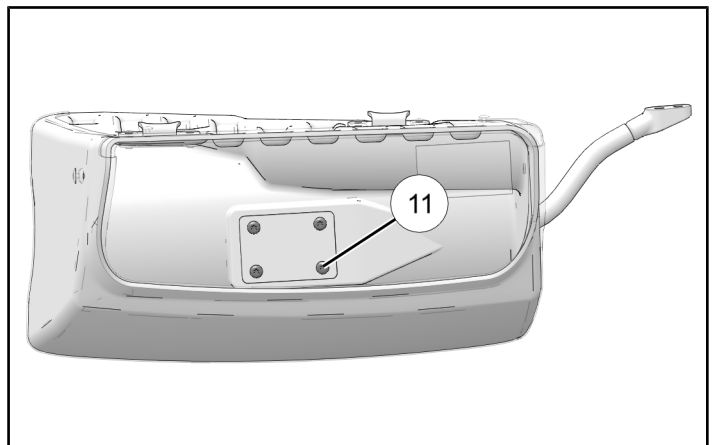
7. Torque saddlebag support arm screws ⑪ to specification.

TORQUE

Saddlebag Support Arm Screws ⑪:
7 ft-lbs (10 N·m)

NOTICE

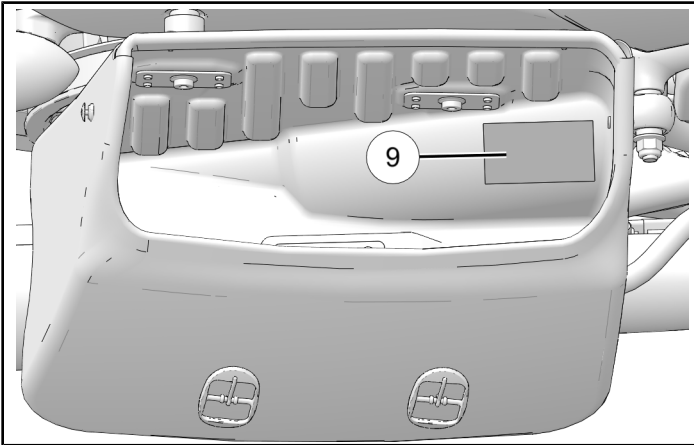
Some parts are hidden from image to improve clarity.



8. Attach the cargo limit decal ⑨ to the inside of the saddlebag.

NOTICE

Some parts are hidden from image to improve clarity.



REFLECTOR INSTALLATION

1. Clean the lower, outside face of saddlebag with a 50:50 mixture of isopropyl alcohol and water.

⚠ WARNING

Isopropyl alcohol is hazardous to your health. See isopropyl alcohol packaging for proper handling instructions, including recommended personal protective equipment such as goggles and chemical resistant gloves.

INSTRUCTION FEEDBACK FORM

A feedback form has been created for the installer to provide any comments, questions or concerns about the installation instructions. The form is viewable on mobile devices by scanning the QR code or by clicking [HERE](#) if viewing on a PC.



2. Remove tape backing from the reflector ⑧.
3. Position the reflector at a point that is at the center between the lid straps and 1 3/8 in (33 mm) above the bottom edge of the saddlebag. Press firmly against the reflector for at least 5 seconds to attach it to the saddlebag.

IMPORTANT

Make sure surfaces are warm before bonding the reflector to the saddlebag.

