

ACCESSORY SPOOL KIT



P/N 2884925

BEFORE YOU BEGIN

Read these instructions and check to be sure all parts and tools are accounted for. Please retain these installation instructions for future reference and parts ordering information.

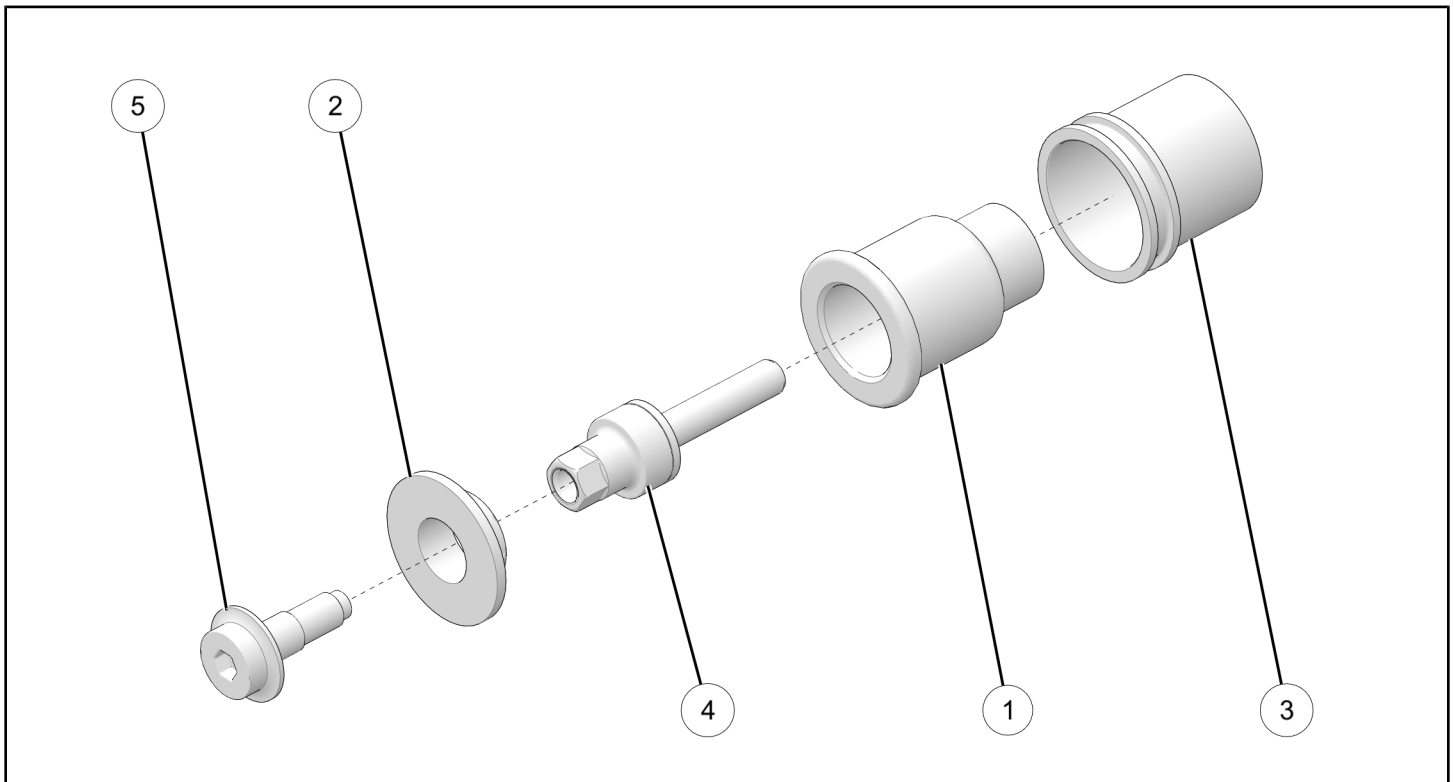
APPLICATION

Verify accessory fitment at www.indianmotorcycle.com.

IMPORTANT

This *Accessory Spool Kit* cannot be used with the *Fixed Backrest Kit*, P/N 2884631

KIT CONTENTS



REF	QTY	PART DESCRIPTION	P/N AVAILABLE SEPARATELY
1	4	Spool, Saddlebag	5142222
2	4	Flange Bushing, Rubber	5416820
3	4	Spool Bushing, Trunk	5455069
4	4	Screw, Hex Head, M8 x 1.25 x 38 mm	7520937
5	4	Screw, Socket Head, M8 x 1.25 x 27 mm	7521006

TOOLS REQUIRED

- Safety Glasses
- Socket Set, Hex Bit, Metric
- Socket Set, Hex Bit, Metric
- Torque Wrench

IMPORTANT

Your Indian Motorcycle® Accessory Spool Kit is exclusively designed for your vehicle. Please read the installation instructions thoroughly before beginning. Installation is easier if the vehicle is clean and free of debris. For your safety, and to ensure a satisfactory installation, perform all installation steps correctly in the sequence shown.

INSTALLATION INSTRUCTIONS

VEHICLE PREPARATION

GENERAL

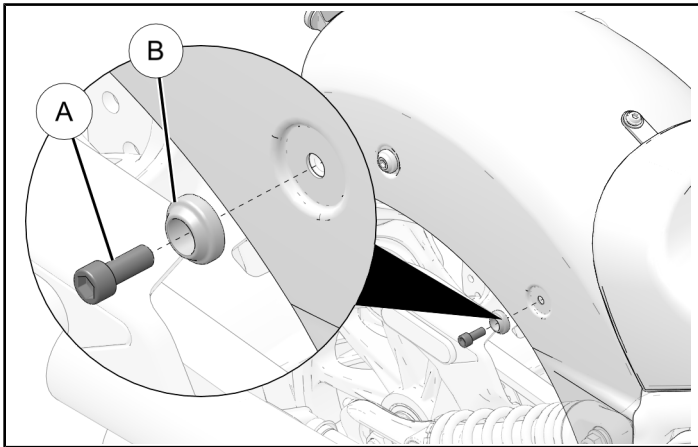
1. Park motorcycle on a flat surface, fully extend kickstand, and make sure vehicle is stable.
2. Turn key or ignition switch to OFF position and remove key. If equipped with keyless fob, remove fob from proximity of vehicle.

ACCESSORY INSTALLATION

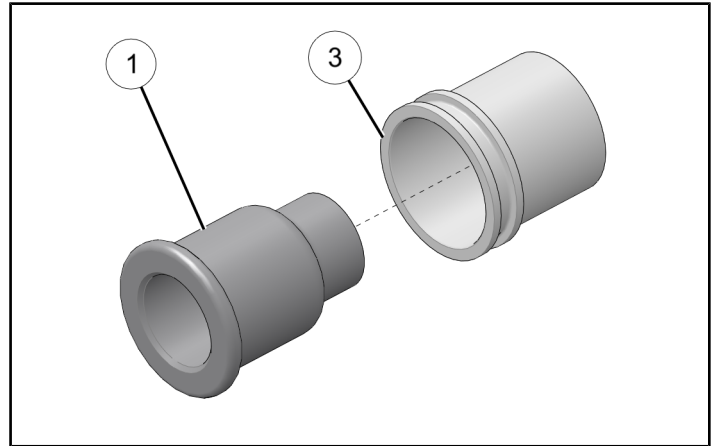
IMPORTANT

Install one spool assembly at a time to make sure the fender does not move. Repeat steps for each spool.

1. Remove rear fender screw (A) and metal bushing (B).



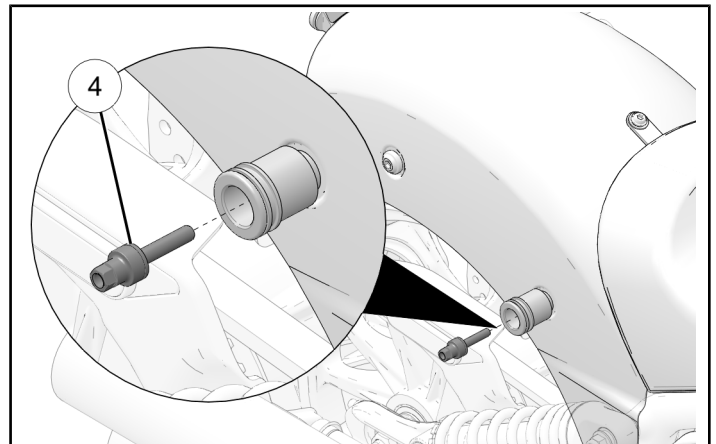
2. Install the spool bushing (3) onto the spool (1).



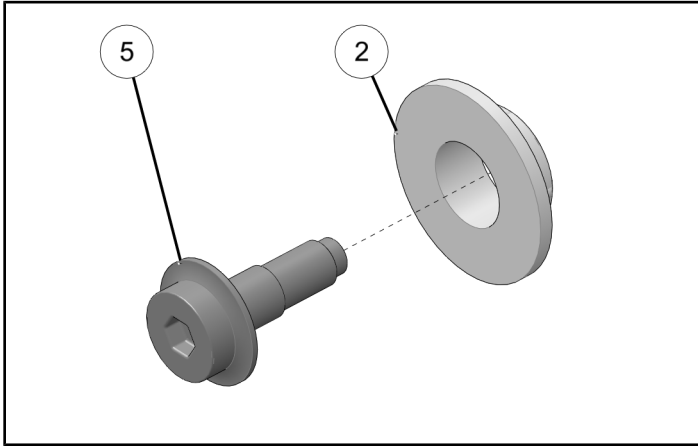
3. Install the spool assembly and attach with spool screw (4). Torque screw to specification.

TORQUE

Spool Screw (4):
18 ft-lbs (25 N·m)



4. Keep rubber bushing ② and accessory mounting screw ⑤ for installation of accessory saddlebags.



INSTRUCTION FEEDBACK FORM

A feedback form has been created for the installer to provide any comments, questions or concerns about the installation instructions. The form is viewable on mobile devices by scanning the QR code or by clicking [HERE](#) if viewing on a PC.

