

STRUT COVERS KIT



P/N 2880662-XXX, 2882471-XXX

APPLICATION

Verify accessory fitment at Polaris.com.

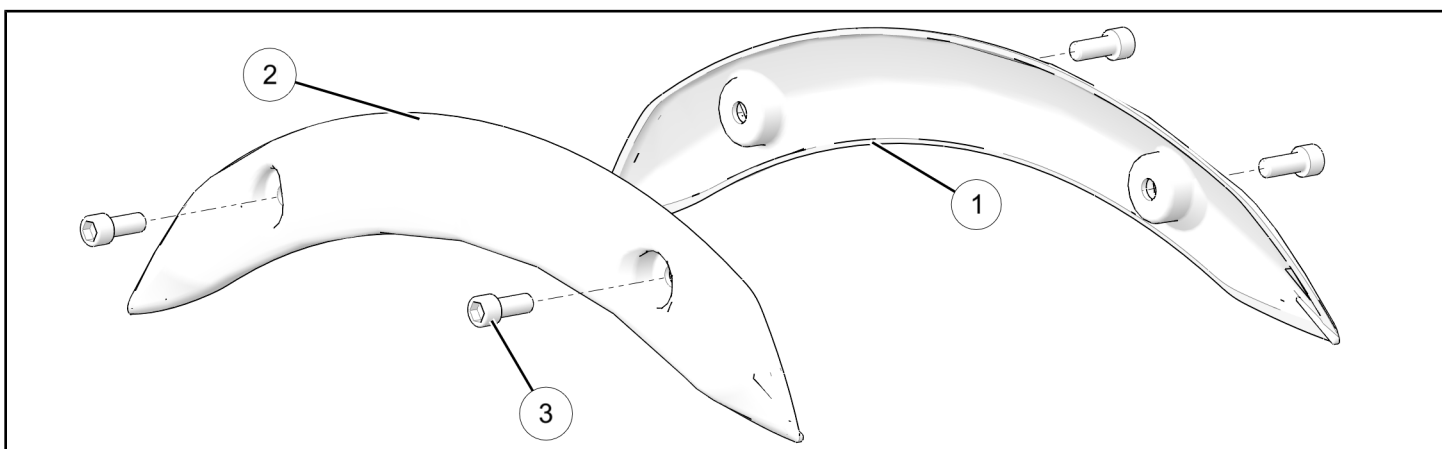
2014 and newer Indian® Motorcycles with Thunderstroke 111

BEFORE YOU BEGIN

Read these instructions and check to be sure all parts and tools are accounted for. Please retain these installation instructions for future reference and parts ordering information.

KIT CONTENTS

Kit 2880662-XXX includes:

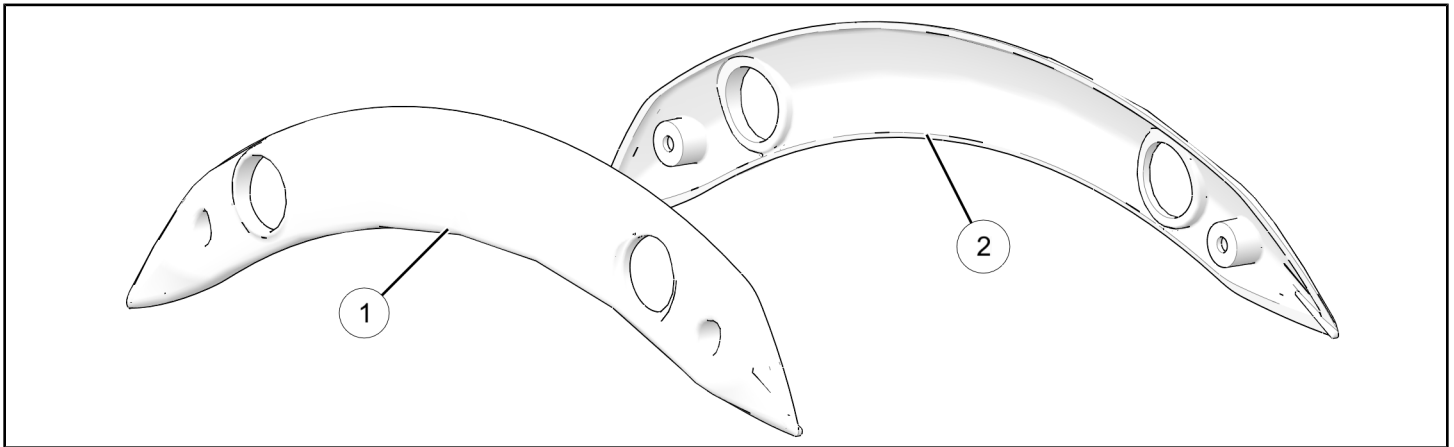


NOTE

XXX = Indian® Color Code (For Example: 266 = Black)

REF	QTY	PART DESCRIPTION	PART NUMBER
1	1	Cover-Strut, Cruiser, LH,	5138453-XXX
2	1	Cover-Strut, Cruiser, RH,	5138454-XXX
3	4	Screw, Socket Head, M8 X 1.25 X 20	7517410
	1	Instructions	9925560

Kit 2882471-XXX includes:



NOTE

XXX = Indian® Color Code (For Example: 266 = Black)

REF	QTY	PART DESCRIPTION	PART NUMBER
1	1	Cover-Strut, Cruiser, LH,	5139598-XXX
2	1	Cover-Strut, Cruiser, RH,	5139599-XXX
	1	Instructions	9925560

TOOLS REQUIRED

- Safety Glasses
- Socket Set, Hex Bit, Metric
- Torque Wrench

IMPORTANT

Your Indian Strut Covers Kit is exclusively designed for your vehicle. Please read the installation instructions thoroughly before beginning. Installation is easier if the vehicle is clean and free of debris. For your safety, and to ensure a satisfactory installation, perform all installation steps correctly in the sequence shown.

ASSEMBLY TIME

Approximately 6 minutes

INSTALLATION INSTRUCTIONS

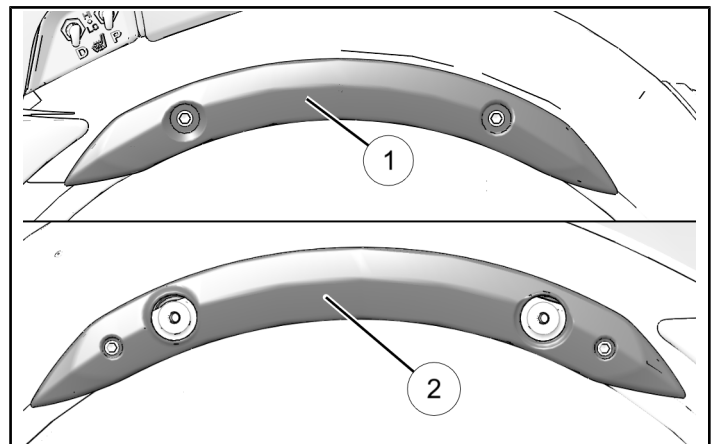
1. Turn key or ignition switch to “OFF” position and remove key. If equipped with keyless fob, remove fob from proximity of vehicle.
2. Ensure motorcycle is parked on a flat surface, kickstand is fully extended, and vehicle is stable prior to installation.

IDENTIFICATION

There are two types of strut covers.

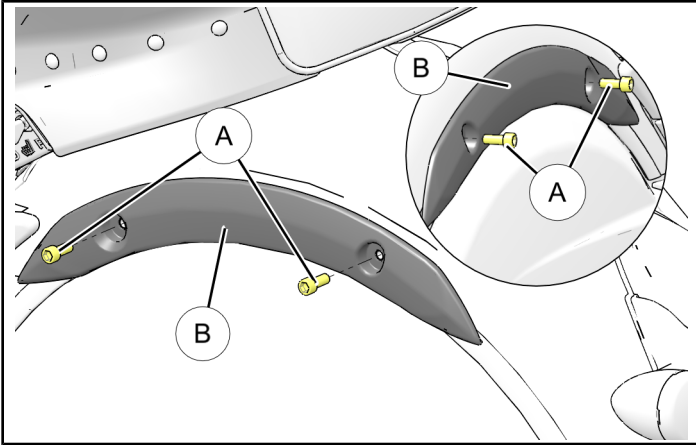
- Two Hole ①
- Four Hole ②

Identify which cover your motorcycle has installed and replace **ONLY** with same style cover.



TWO HOLE COVER (KIT PN: 2880662)

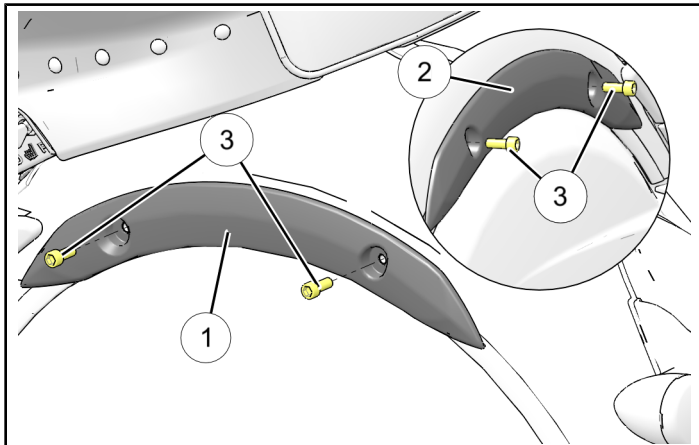
1. If equipped with Saddlebags: Remove saddlebags as per Owner's Manual.
2. Remove and discard four screws (A) and remove RH and LH strut covers (B).



3. Install new LH strut cover (1) and new RH strut cover (2) using two new screws (3) each. Torque screws to specification.

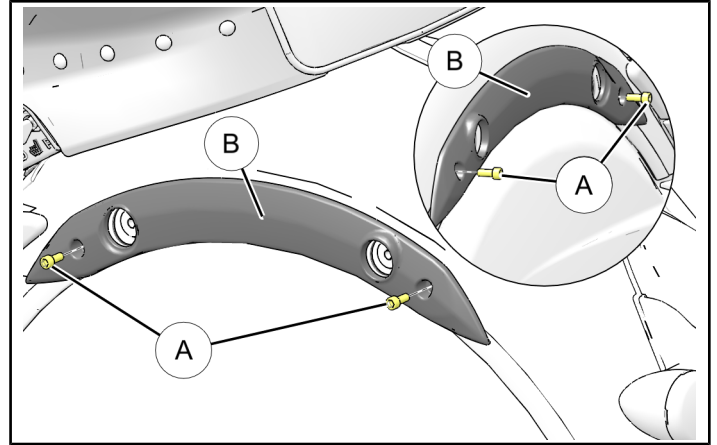
TORQUE

25 ft.lbs. (34 Nm)



FOUR HOLE COVER (KIT PN: 2882471)

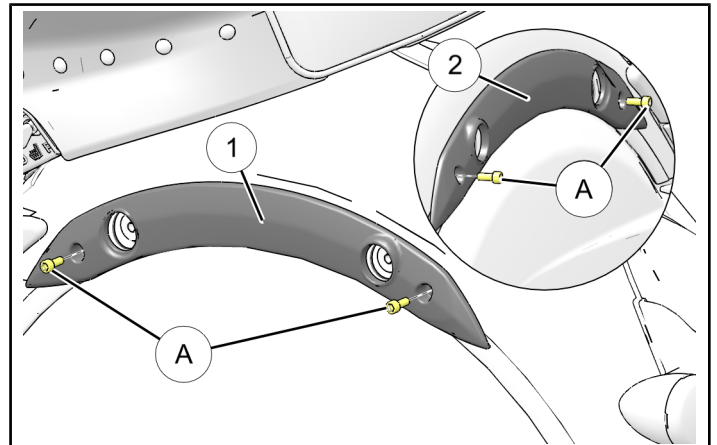
1. If equipped with Saddlebags: Remove saddlebags as per Owner's Manual.
2. Remove and retain four screws (A) and remove RH and LH strut covers (B).



3. Install new LH strut cover (1) and new RH strut cover (2) using two retained screws (A) each. Torque screws to specification.

TORQUE

84 in. lbs. (9.5 Nm)



FEEDBACK FORM

A feedback form has been created for the installer to provide any comments, questions or concerns about the installation instructions. The form is viewable on mobile devices by scanning the QR code or by clicking [HERE](#) if viewing on a PC.

FEEDBACK FORM

