

# RAM® X-GRIP® PHONE MOUNT KIT



P/N 2884101

## INTERNATIONAL INSTRUCTIONS

### DE DEUTSCH

Laden Sie die neuesten PDF-Anweisungen von [www.indianmotorcycle.de](http://www.indianmotorcycle.de) herunter.

### FR FRANÇAIS

Télécharger les dernières instructions en format PDF sur [www.indianmotorcycle.fr](http://www.indianmotorcycle.fr).

### IT ITALIANO

Scarica l'ultima versione delle istruzioni in formato PDF da [www.indianmoto.it](http://www.indianmoto.it).

### EN ENGLISH

Download the latest PDF instructions from [www.indianmotorcycle.com](http://www.indianmotorcycle.com).

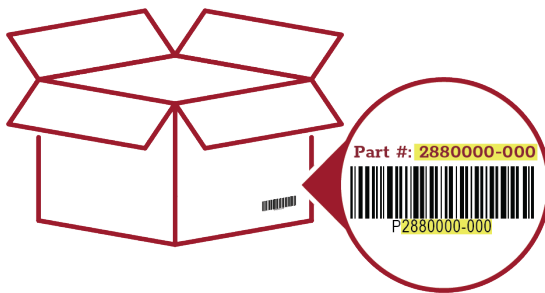
### ES ESPAÑOL

Descargue las instrucciones más recientes en formato PDF de [www.indianmotorcycle.mx](http://www.indianmotorcycle.mx) / [www.indianmotorcycle.es](http://www.indianmotorcycle.es).

### ZH 中文

从[www.indianmotorcycle.cn](http://www.indianmotorcycle.cn) 下载最新的PDF说明。

1



2



3



4



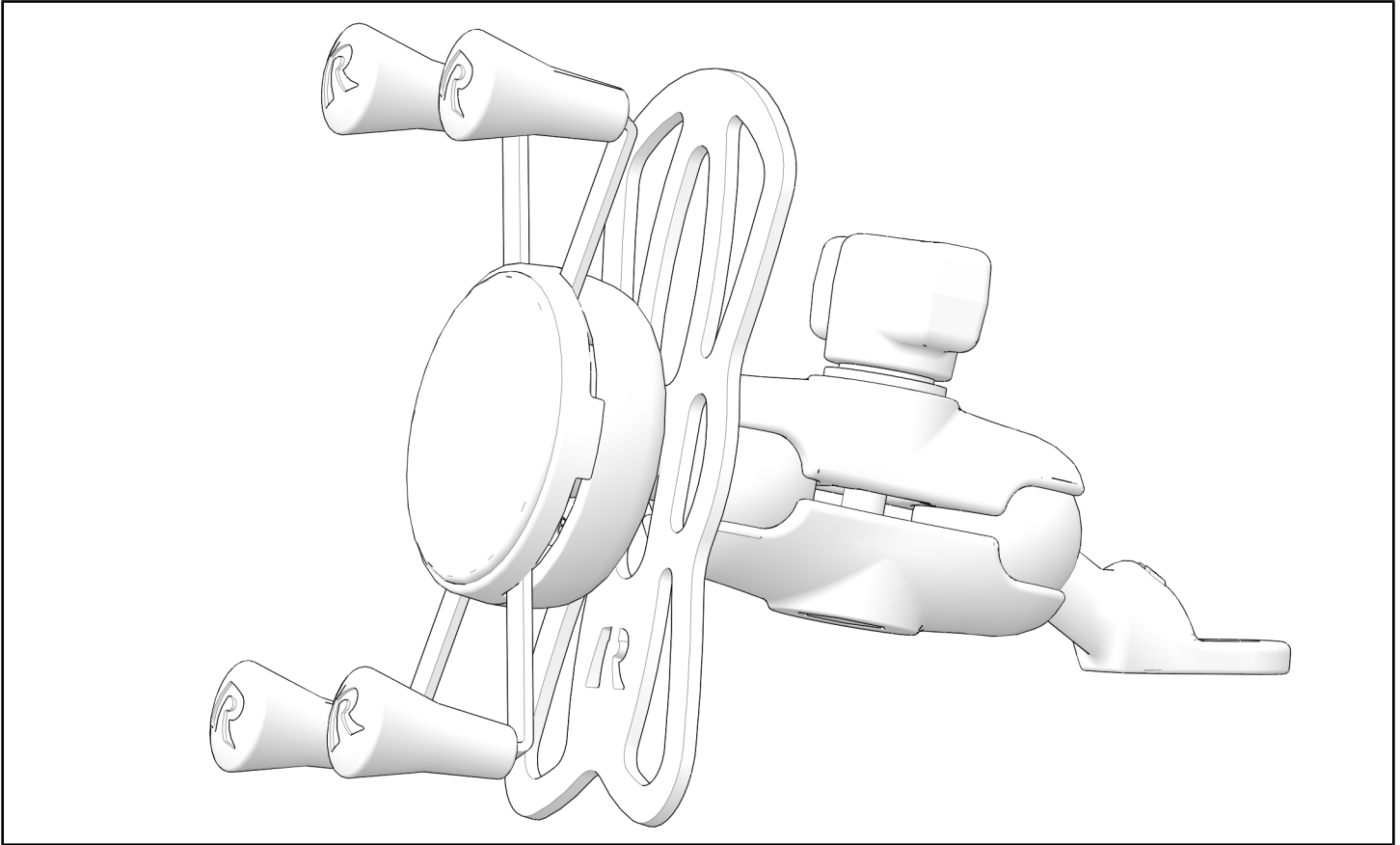
## APPLICATION

Verify accessory fitment at [www.indianmotorcycle.com](http://www.indianmotorcycle.com).

## BEFORE YOU BEGIN

Read these instructions and check to be sure all parts and tools are accounted for. Please retain these installation instructions for future reference and parts ordering information.

## KIT CONTENTS



REF	QTY	PART DESCRIPTION	P/N AVAILABLE SEPARATELY
1	1	Mount-Phone	N/A
2	1	Adhesive-Glue, Phone Mount	N/A
	1	Instructions	9929463

## TOOLS REQUIRED

- Safety Glasses
- Torque Wrench
- Wrench Set, Metric

## IMPORTANT

Your accessory kit is exclusively designed for your vehicle. Please read the installation instructions thoroughly before beginning. Installation is easier if the vehicle is clean and free of debris. For your safety, and to ensure a satisfactory installation, perform all installation steps correctly in the sequence shown.

## WARRANTY INFORMATION

The *Phone Mount Kit* is covered under a Limited Lifetime Warranty by the manufacturer, RAM® Mounts. Visit [rammount.com/warranty](http://rammount.com/warranty) for details on all warranty and claim policies.

## INSTALLATION INSTRUCTIONS

### VEHICLE PREPARATION

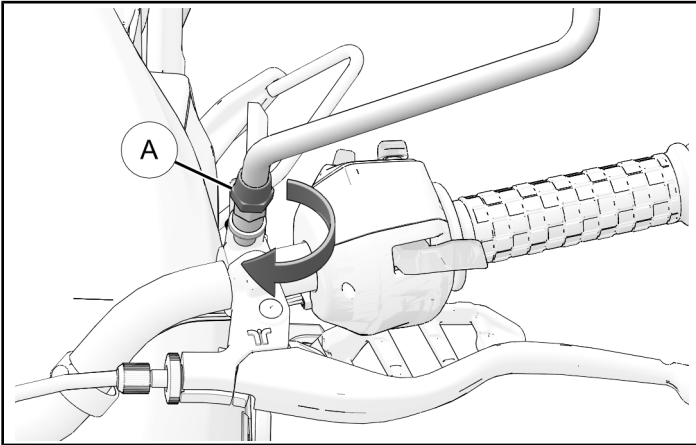
#### GENERAL

1. Turn key or ignition switch to OFF position and remove key.
2. Ensure motorcycle is parked on a flat surface, kickstand is fully extended, and vehicle is stable prior to installation.

### LH MIRROR REMOVAL / INSTALLATION

#### REMOVAL

1. Loosen jam nut (A) on mirror stalk to remove mirror assembly from perch. Spin mirror assembly **CLOCKWISE** to remove from perch.



#### INSTALLATION

Installation of stock mirror is performed by reversing removal procedure.

#### TORQUE

Mirror Jam Nut (A):  
**12 ft-lbs (16 Nm)**

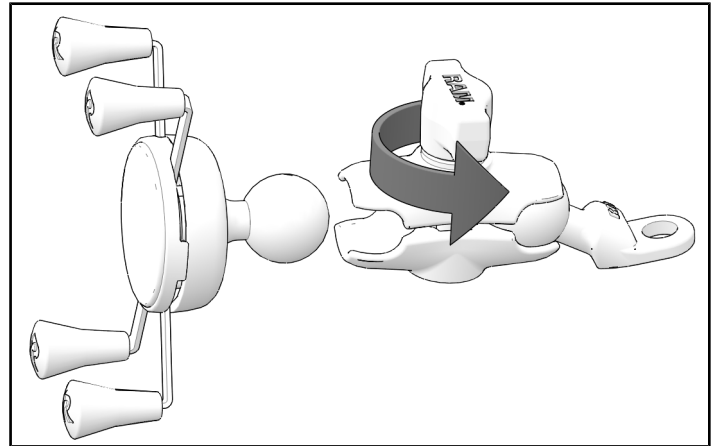
### ACCESSORY INSTALLATION

#### NOTE

Additional installation information can be found at [rammount.com](http://rammount.com).

#### PHONE MOUNT ASSEMBLY

1. Turn dial on socket arm **COUNTER CLOCKWISE** to remove X-Grip® cradle.



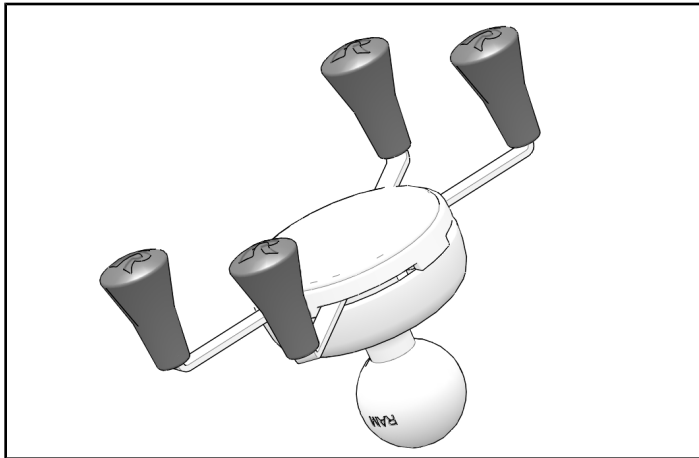
- Remove four tips from X-Grip® cradle legs. Apply thin layer of glue to each leg and reapply rubber tips.

**⚠ WARNING**

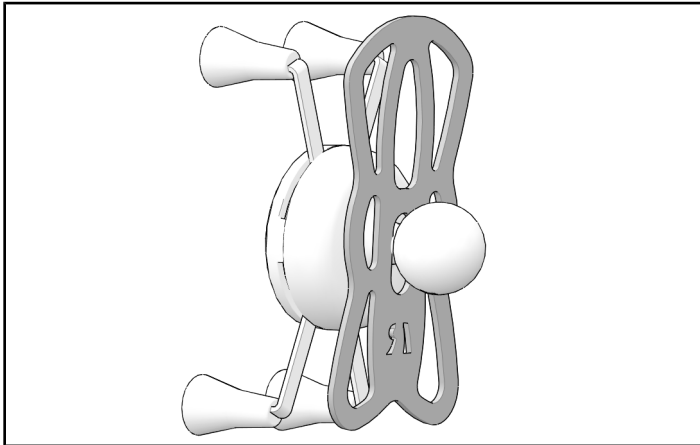
Adhesive is hazardous to your health. See adhesive packaging for proper handling instructions, including recommended personal protective equipment. Inhaling or consuming adhesives may have adverse side effects resulting in personal injury or death.

**NOTE**

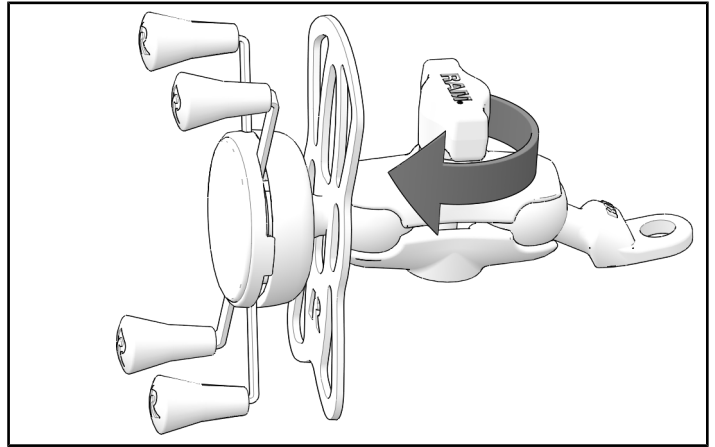
Allow adhesive to dry for at least 24 hours before riding with mobile device secured in mount.



- Stretch tether over ball-end.



- Turn dial on socket arm **CLOCKWISE** and reinstall X-Grip® cradle.

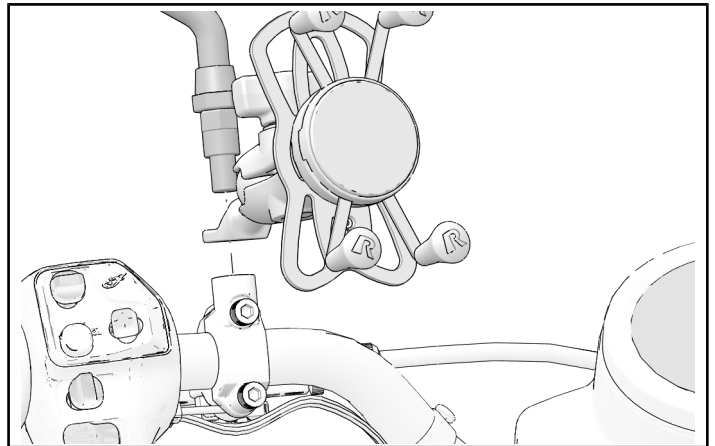


**PHONE MOUNT INSTALLATION**

- Pass mirror assembly through phone mount bracket and install on mirror perch.

**NOTE**

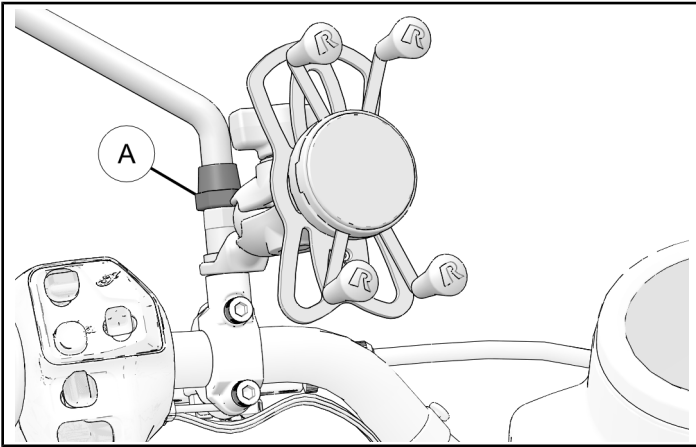
**DO NOT** use spacer from mirror assembly. Phone mount bracket takes place of spacer.



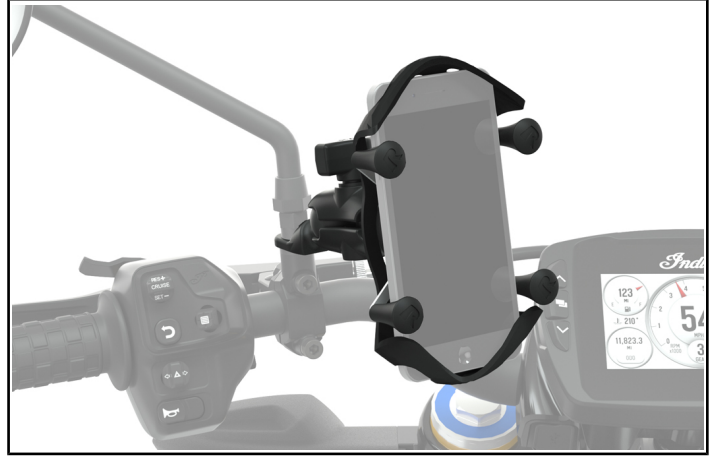
2. Tighten mirror jam nut (A).

### TORQUE

Mirror Jam Nut (A):  
12 ft-lbs (16 Nm)



3. Widen X-Grip® to fit mobile device and stretch each corner of tether over corners of mobile device.



### FEEDBACK FORM

A feedback form has been created for the installer to provide any comments, questions or concerns about the installation instructions. The form is viewable on mobile devices by scanning the QR code or by clicking [HERE](#) if viewing on a PC.

