

RADIATOR GUARDS KIT



P/N 2884466

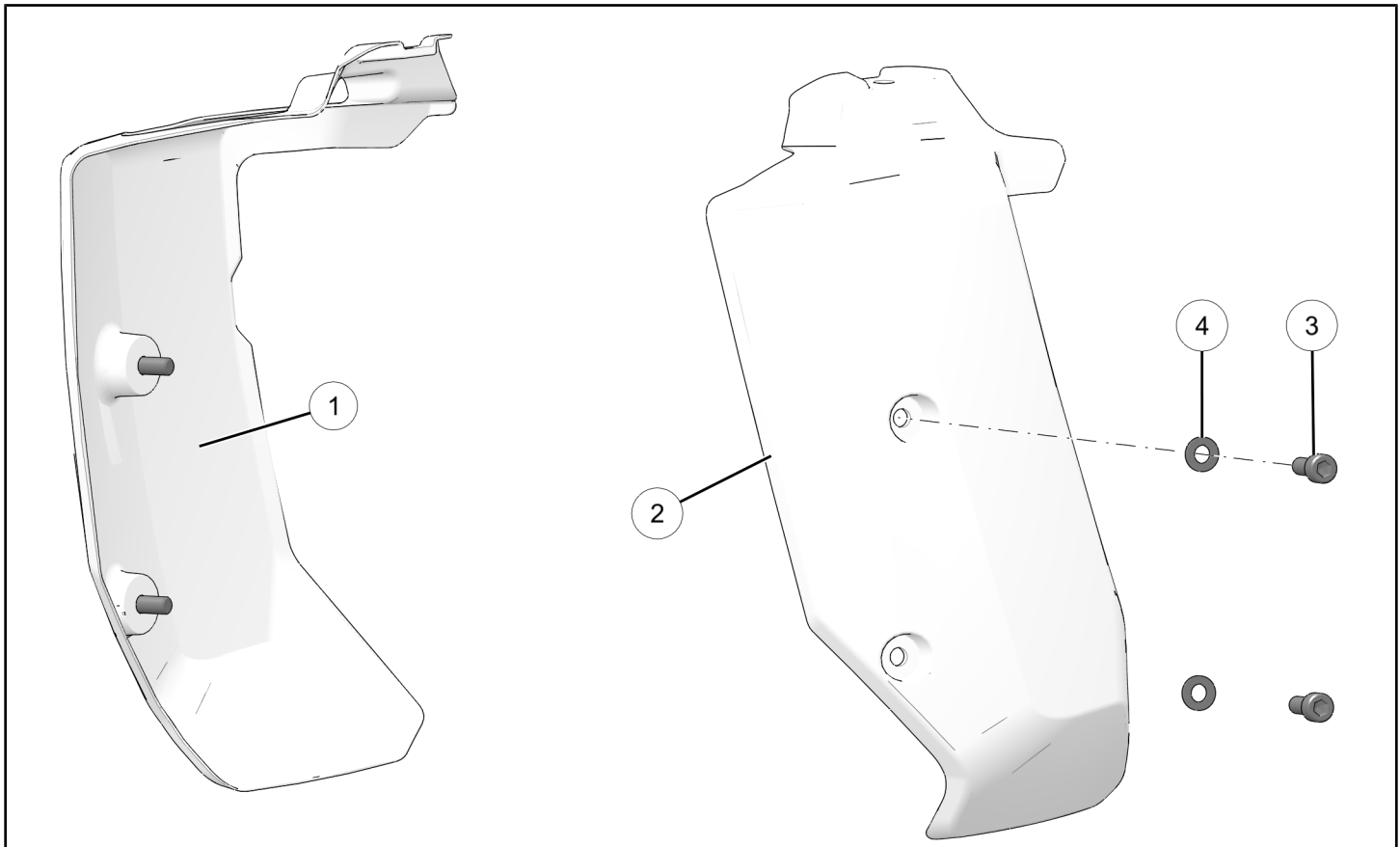
BEFORE YOU BEGIN

Read these instructions and check to be sure all parts and tools are accounted for. Please retain these installation instructions for future reference and parts ordering information.

APPLICATION

Verify accessory fitment at www.indianmotorcycle.com.

KIT CONTENTS



REF	QTY	PART DESCRIPTION	P/N AVAILABLE SEPARATELY
1	1	Wing, Radiator, Right-Hand	2637801
2	1	Wing, Radiator, Left-Hand	2637802
3	4	Screw- Socket Head, M6 x 1.0 mm x 16 mm	7520392
4	4	Washer-6.4 mm x 12 mm x 1.6 mm	7557187

TOOLS REQUIRED

- Safety Glasses
- Hex Key Set, Metric
- Socket Set, Hex Bit, Metric, Ball-End
- Torque Wrench

IMPORTANT

Your Indian Motorcycle® Radiator Guards Kit is exclusively designed for your vehicle. Please read the installation instructions thoroughly before beginning. Installation is easier if the vehicle is clean and free of debris. For your safety, and to ensure a satisfactory installation, perform all installation steps correctly in the sequence shown.

INSTALLATION INSTRUCTIONS

VEHICLE PREPARATION

GENERAL

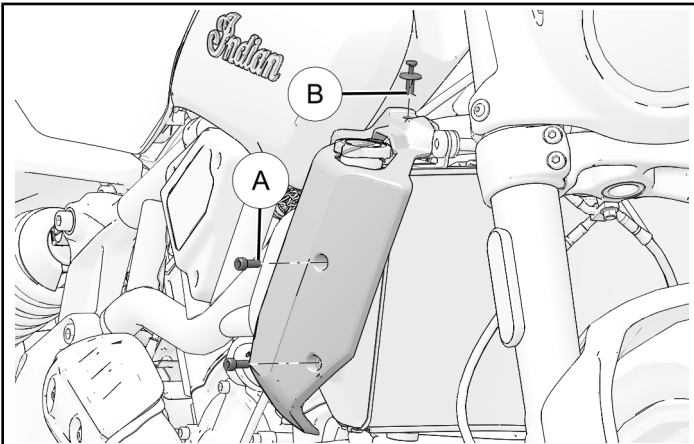
1. Turn key or ignition switch to OFF position and remove key.
2. Ensure motorcycle is parked on a flat surface, kickstand is fully extended, and vehicle is stable prior to installation.

RADIATOR GUARD REMOVAL

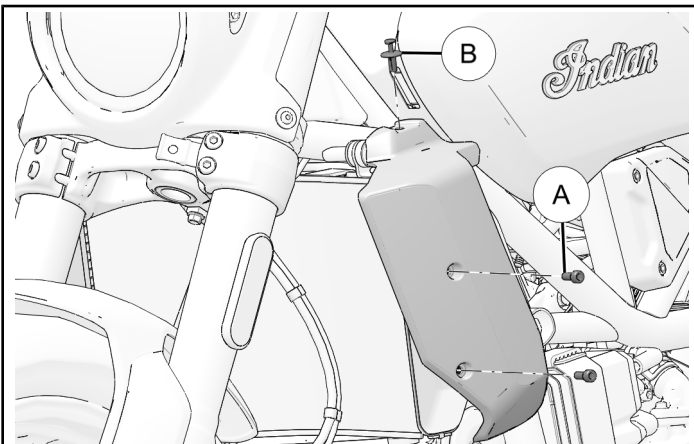
1. Remove two radiator cover fasteners (A) and one push-pin (B) from radiator cover.

TIP

Tilt radiator cover to maneuver around radiator pressure cap.



2. Remove two radiator cover fasteners (A) and one push-pin (B) from radiator cover.

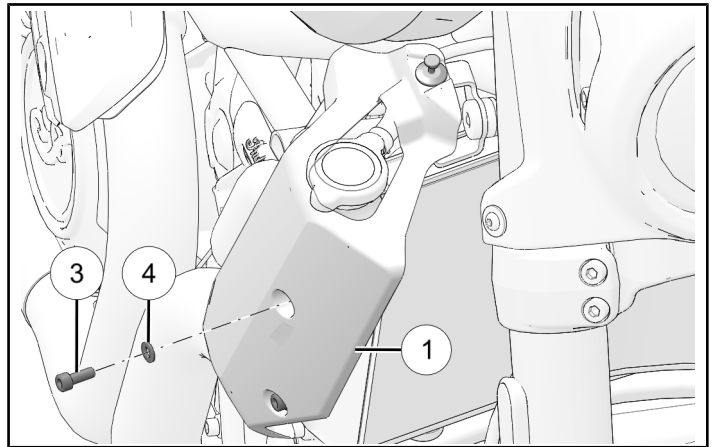


ACCESSORY INSTALLATION

1. Install right-hand radiator guard (1) with two fasteners (3) and two washers (4). Secure top of radiator guard with retained push-pin rivet.

TORQUE

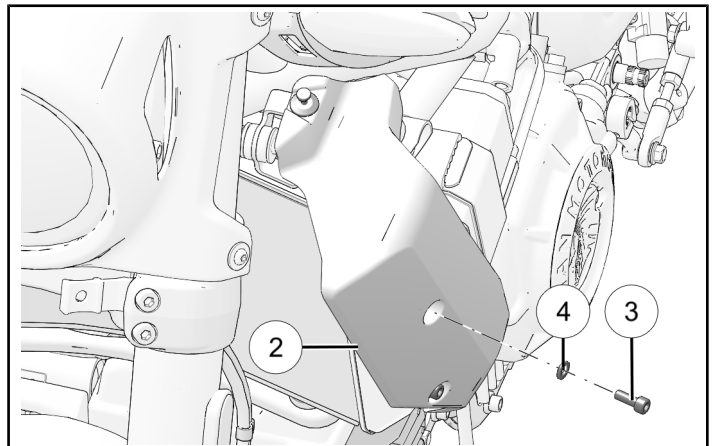
Radiator Guard Fasteners (3):
36 in-lbs (4 N·m)



2. Install left-hand radiator guard (2) with two fasteners (3) and two washers (4). Secure top of radiator guard with retained push-pin rivet.

TORQUE

Radiator Guard Fasteners (3):
36 in-lbs (4 N·m)



FEEDBACK FORM

A feedback form has been created for the installer to provide any comments, questions or concerns about the installation instructions. The form is viewable on mobile devices by scanning the QR code or by clicking [HERE](#) if viewing on a PC.

