

LOWER FAIRING KIT



P/N 2880286; 2880830

APPLICATION

INDIAN CHIEFTAIN

⚠ WARNING

This accessory is only approved for use with the models listed. **NEVER** use this accessory on non-approved models. Use of this accessory on models other than those listed in these instructions may negatively affect the stability of the vehicle, lead to loss of control, and result in serious injury or death.

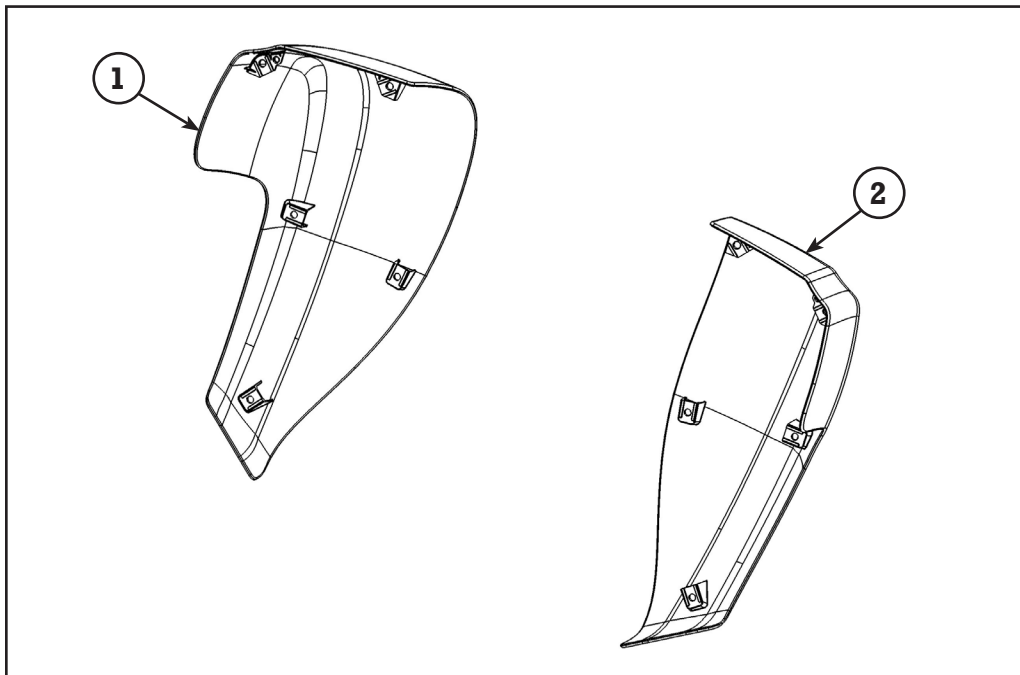
NOTE: Front Highway Bar Kit (PN 2880287) must be installed prior to installing this kit.

NOTE: Both Outer Lower Fairing (PN 2880286) and Inner Lower Fairing (PN 2880830) kits are required for installation.

NOTE: Ducted Air Cleaner Kit (PN 2880951) or Stage One Air Cleaner Kit (PN 2880654) is required for installation of this kit on MY14 Chieftain Motorcycles.

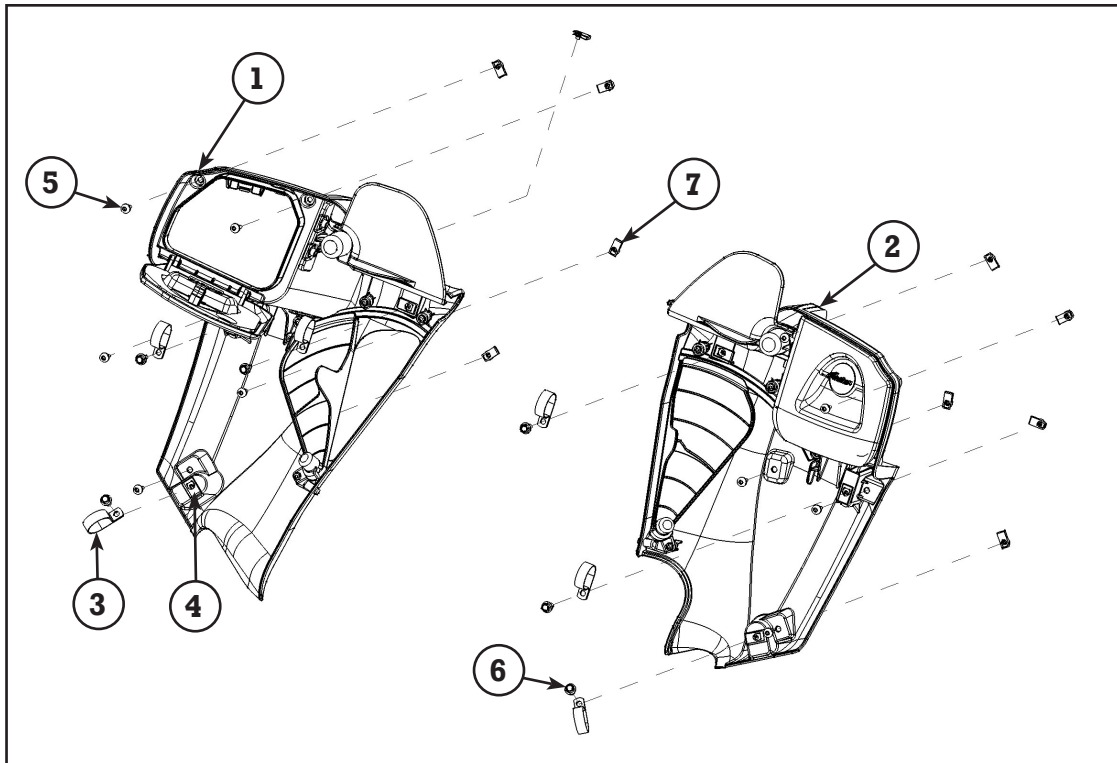
BEFORE YOU BEGIN

Read these instructions and check to be sure all parts and tools are accounted for in package. Please retain these installation instructions for future reference and parts ordering information.



KIT CONTENTS (PN 2880286)

Ref	Qty	Part Description	Part Number
1	1	Lower Fairing, Outer, LH	5450669
2	1	Lower Fairing, Outer, RH	5450670
	1	Instructions	9925235



KIT CONTENTS (PN 2880830)

Ref	Qty	Part Description	Part Number
1	1	Fairing Assembly, Inner, LH	2635307
2	1	Fairing Assembly, Inner, RH	2635308
3	6	Hose Clamp	7080807
4	6	U-Clip, Speed Nut	7081305
5	10	Screw- M4-.2x1.40, 12, Hex, Butt	7518518
6	6	Screw- HXFL-M6x1.0x16 8.8 ZPB	7518591
7	10	U-Clip, Speed Nut, M4	7547386
	1	Instructions	9925235

TOOLS NEEDED

4 mm Hex Key Torque wrench Ratchet Wrench 10 mm Socket

APPROXIMATE ASSEMBLY TIME

18 min

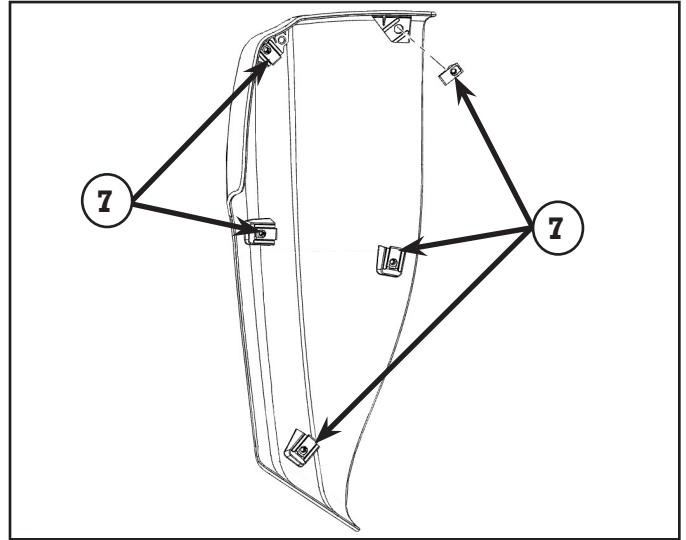
IMPORTANT

Your Indian LOWER FAIRING KIT is exclusively designed for your vehicle. Please read the installation instructions thoroughly before beginning. Installation is easier if the vehicle is clean and free of debris. For your safety, and to ensure a satisfactory installation, perform all installation steps correctly in the sequence shown.

INSTALLATION INSTRUCTIONS

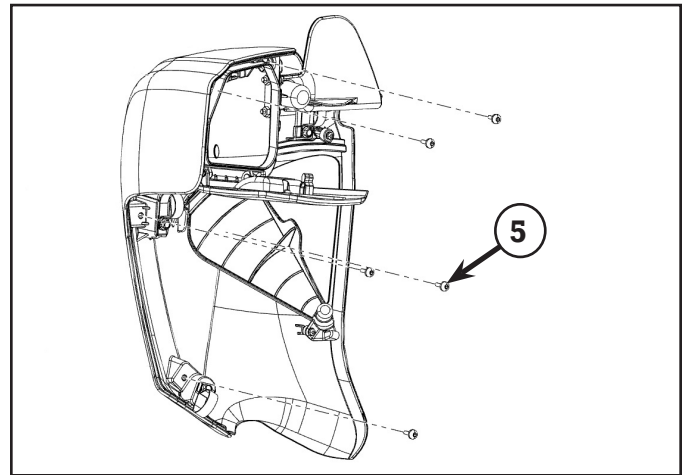
Vehicle Preparation Instructions:

1. Install Front Highway Bar Kit (PN 2880287).
2. Install U-nuts (PN 7547386) (7) in outer fairing, five places on each outer fairing.



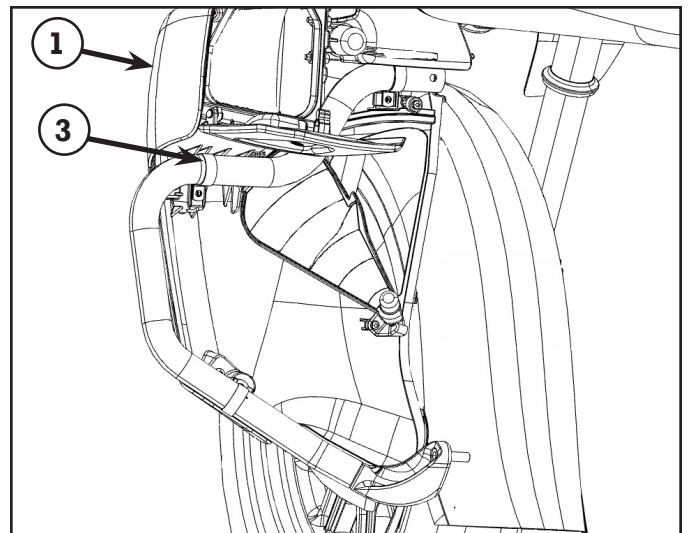
3. Bolt inner fairings to outer fairings using screws (PN 7518518) (5) at ten places. Torque the screw to 36 in-lbs. (4.1 Nm).

NOTE: The lower deflector must be in the closed position in order to access one of the bolts on each side.

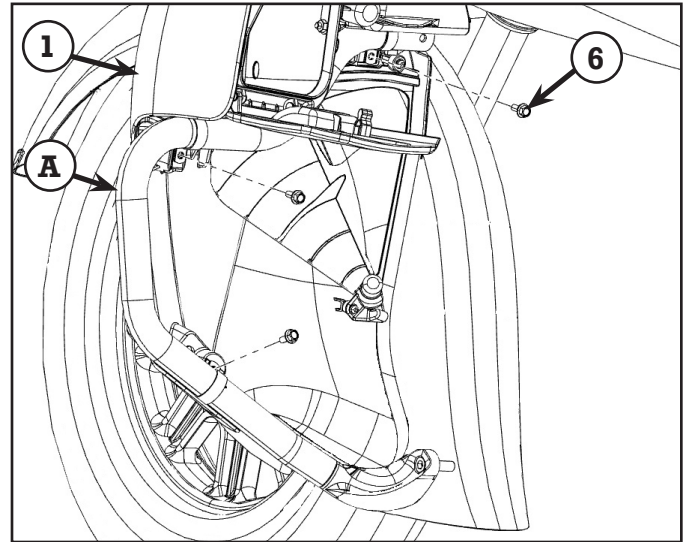


Installation:

1. Loosely install three P clamps (3) per side over highway bar on approximate locations shown on diagram.
2. Turn the upper air vents to the up position as shown in the diagram. This will provide clearance to install the Fairing Assembly (1) onto the Highway Bar and also provide clearance to install the screw.



3. Place Fairing Assembly (1) over highway bar (A). Have an assistant hold it in place.
4. Install a screw (PN 7518591) (6) through each P clamp and into the Fairing Assembly per the diagram. Torque to 36 in-lbs. (4 Nm).



Comfort Adjustment:

1. Clear deflector and vent may be adjusted to any position to suit rider comfort needs.
2. For maximum weather protection rotate the clear deflector upwards and close the lower vent.
3. For maximum rider cooling rotate the clear deflector downwards and open the lower vent.