

PASSENGER FOOT PEG KIT



P/N 2882251-XXX

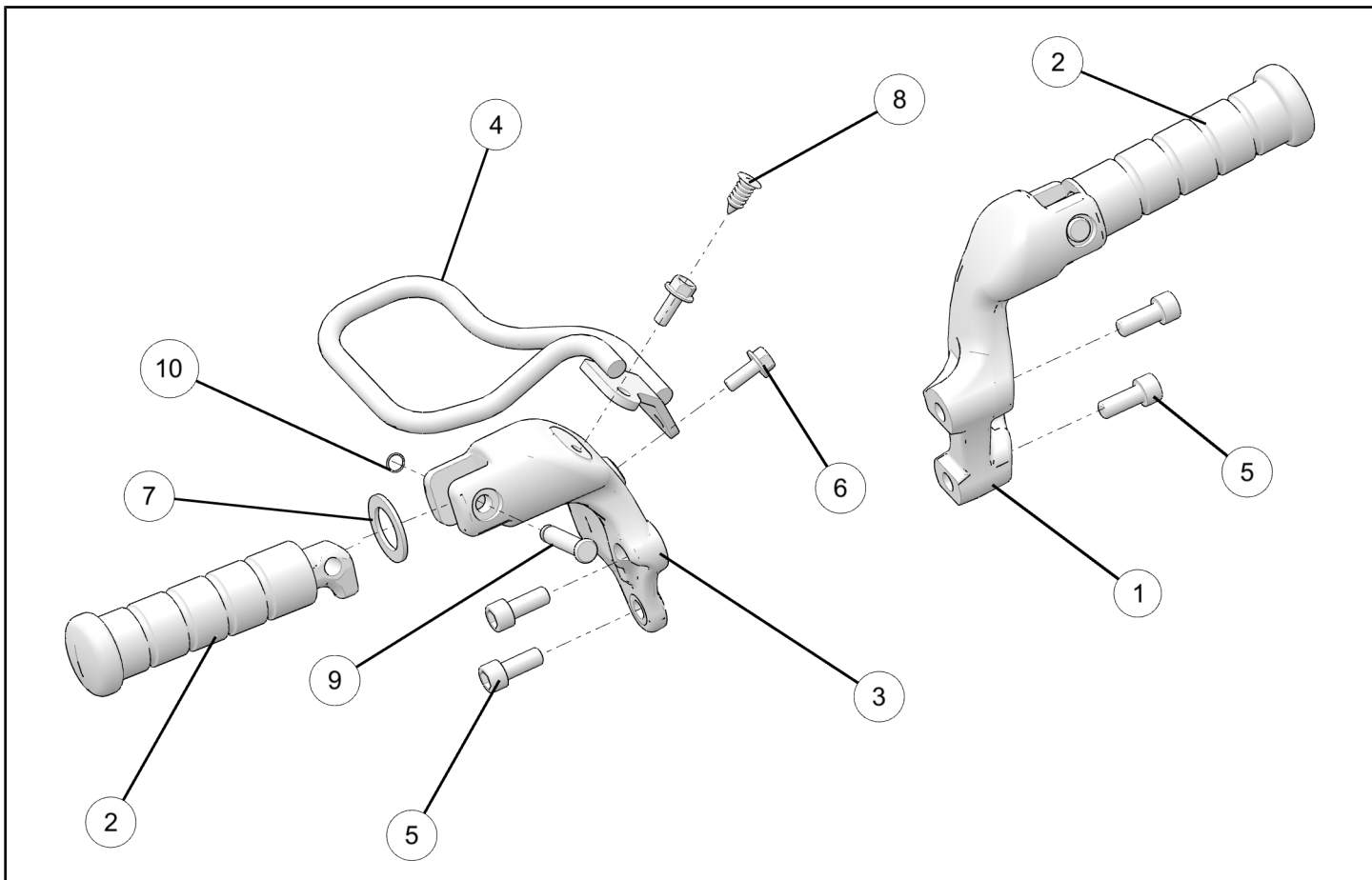
APPLICATION

Verify accessory fitment at www.indianmotorcycle.com.

BEFORE YOU BEGIN

Read these instructions and check to be sure all parts and tools are accounted for. Please retain these installation instructions for future reference and parts ordering information.

KIT CONTENTS



NOTE

XXX = Indian Motorcycle® color code (For example: 266 = Black)

REF	QTY	PART DESCRIPTION	P/N AVAILABLE SEPARATELY
1	1	Passenger Footpeg Support, LH	5139801-XXX
2	2	Passenger Footpeg	5140770
3	1	Passenger Footpeg Support, RH	5140827-XXX
4	1	Passenger Foot Guard	5338670-XXX
5	4	Screw, Socket Head - M8 X 1.25 X 20	7517410

REF	QTY	PART DESCRIPTION	P/N AVAILABLE SEPARATELY
6	2	Screw, Hex Flange - M6 X 1.0 X 16	7517770
7	2	Pivot Washer	7556274
8	2	Plug	7661953
9	2	Pivot Pin	7661980
10	2	Retaining Ring	7710644

TOOLS REQUIRED

- Safety Glasses
- Socket Set, Hex Bit, Metric, Long, Ball End
- Socket Set, Metric
- Torque Wrench

IMPORTANT

Your Indian Motorcycle® Passenger Foot Peg Kit is exclusively designed for your vehicle. Please read the installation instructions thoroughly before beginning. Installation is easier if the vehicle is clean and free of debris. For your safety, and to ensure a satisfactory installation, perform all installation steps correctly in the sequence shown.

INSTALLATION INSTRUCTIONS

VEHICLE PREPARATION

GENERAL

1. Turn key to **OFF** position and remove from vehicle.
2. Ensure motorcycle is parked on a flat surface, kickstand is fully extended, and vehicle is stable prior to installation.

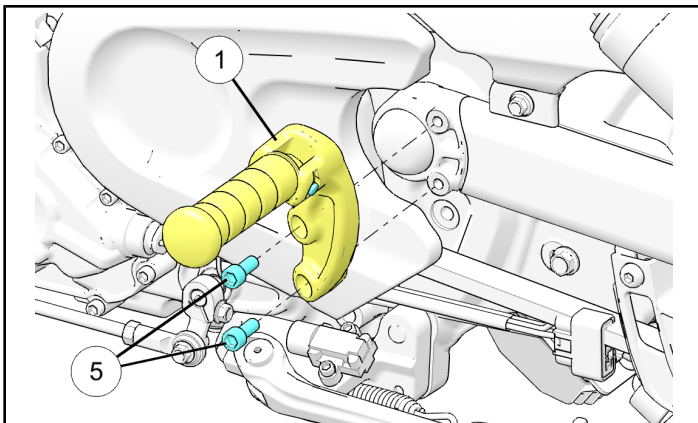
ACCESSORY INSTALLATION

LEFT FOOT PEG INSTALLATION

1. Install LH passenger footpeg ①, secure with two screws ⑤. Torque screws to specification.

TORQUE

Foot Peg Screw ⑤:
22 ft-lbs (30 N·m)

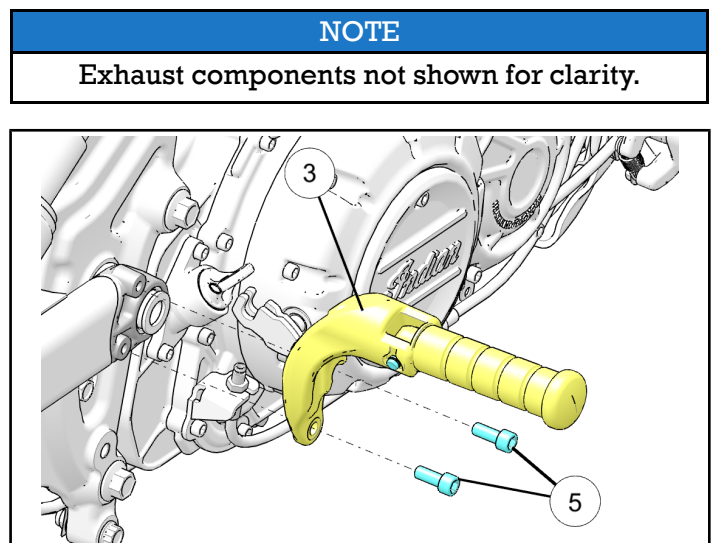


RIGHT FOOT PEG INSTALLATION

1. Install RH passenger footpeg ③, secure with two screws ⑤ as shown. Torque to specification.

TORQUE

Foot Peg Screw ⑤:
22 ft-lbs (30 N·m)



NOTE

Exhaust components not shown for clarity.

2. If desired, install passenger foot guard ④ onto right hand footpeg support ③. Mount passenger foot guard using two fasteners ⑥. Torque fasteners ⑥ to specification.

TORQUE

Footpeg Guard Screw ⑥:
96 in-lbs (11 N·m)

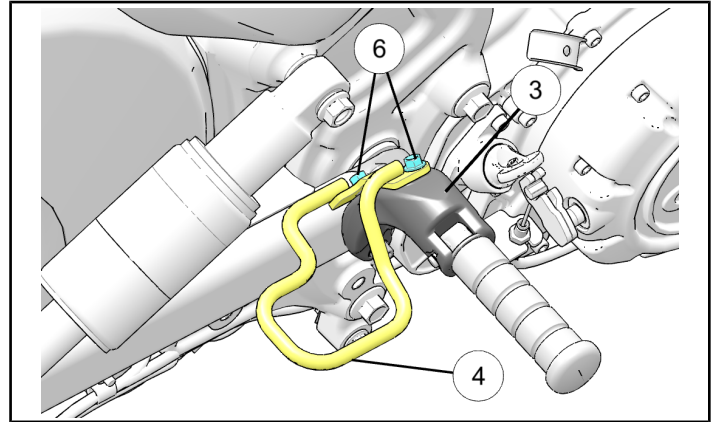
If you choose not to install passenger foot guard ④, insert plugs ⑧ in holes for foot guard mounting.

NOTE

Exhaust components not shown for clarity.

⚠ WARNING

Passenger foot guard ④ is not intended to support weight of rider. Passenger foot guard is intended to maintain proper clearances between passenger's footwear and exhaust.



FEEDBACK FORM

A feedback form has been created for the installer to provide any comments, questions or concerns about the installation instructions. The form is viewable on mobile devices by scanning the QR code or by clicking [HERE](#) if viewing on a PC.

