

HEEL SHIFTER KIT



P/N 2880103-XXX

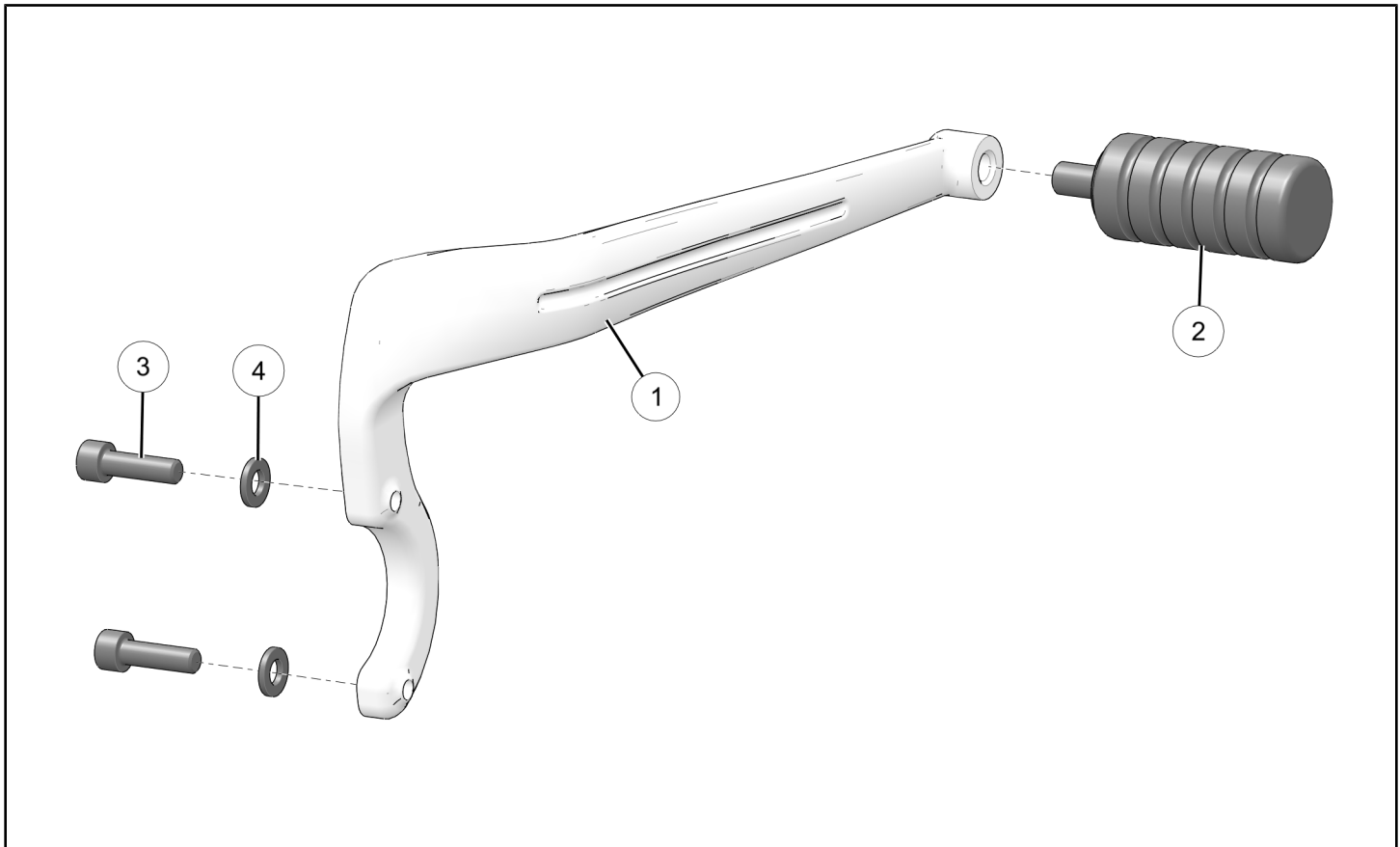
APPLICATION

Verify accessory fitment at www.indianmotorcycle.com.

BEFORE YOU BEGIN

Read these instructions and check to be sure all parts and tools are accounted for. Please retain these installation instructions for future reference and parts ordering information.

KIT CONTENTS



REF	QTY	PART DESCRIPTION	P/N AVAILABLE SEPARATELY
1	1	Shifter-Heel	n/a
2	1	Peg-Shifter, Brake	5412493
3	2	Screw-Socket Head, M6 x 1.0 mm x 20 mm	7519827
4	2	Washer, 6.4 mm x 12.0 mm x 1.6 mm	7556088

TOOLS REQUIRED

- Safety Glasses
- Hex Key Set, Metric
- Pliers, Retaining Ring
- Socket Set, Hex Bit, Metric
- Socket Set, Metric
- Torque Wrench
- Wrench Set, Metric

IMPORTANT

Your Indian Motorcycle® Heel Shifter Kit is exclusively designed for your vehicle. Please read the installation instructions thoroughly before beginning. Installation is easier if the vehicle is clean and free of debris. For your safety, and to ensure a satisfactory installation, perform all installation steps correctly in the sequence shown.

INSTALLATION INSTRUCTIONS

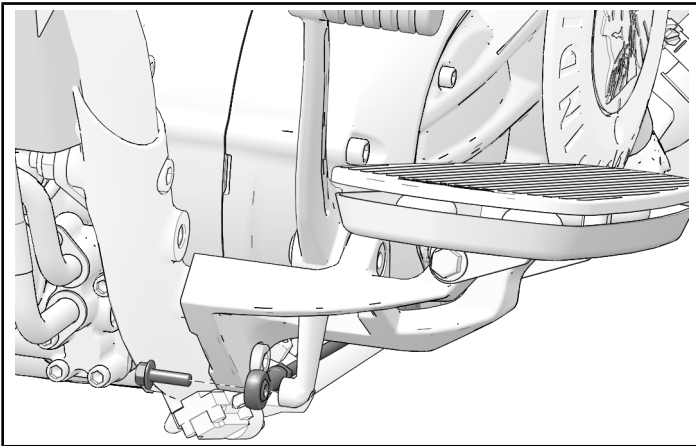
VEHICLE PREPARATION

GENERAL

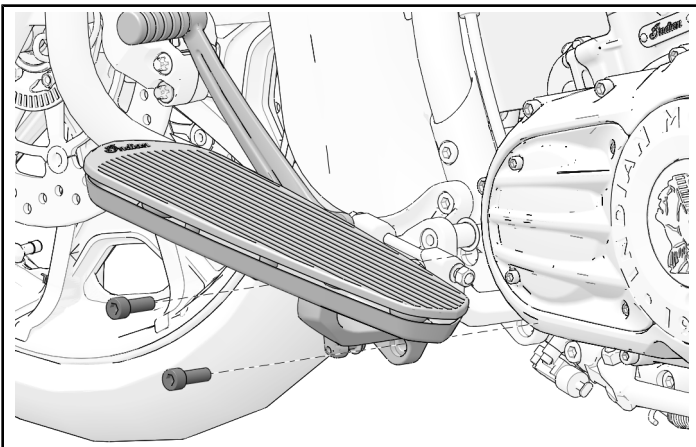
1. Turn key or ignition switch to OFF position and remove key.
2. Ensure motorcycle is parked on a flat surface, kickstand is fully extended, and vehicle is stable prior to installation.

LEFT-HAND FLOORBOARD REMOVAL

1. Remove front shift rod fastener and allow shift rod to gently hang.

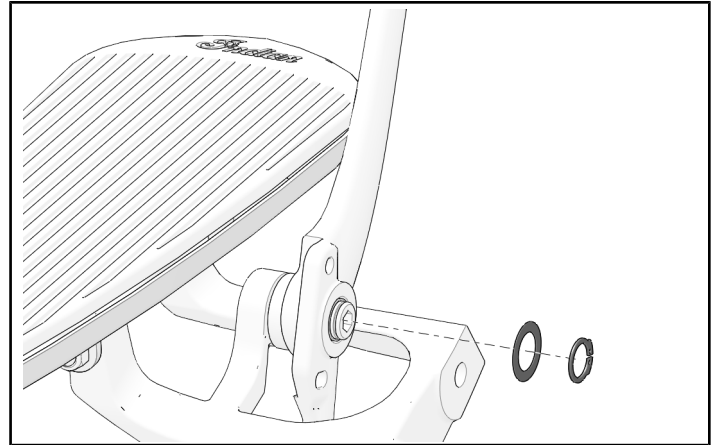


2. Remove two floorboard fasteners and remove floorboard assembly from motorcycle frame.



ACCESSORY INSTALLATION

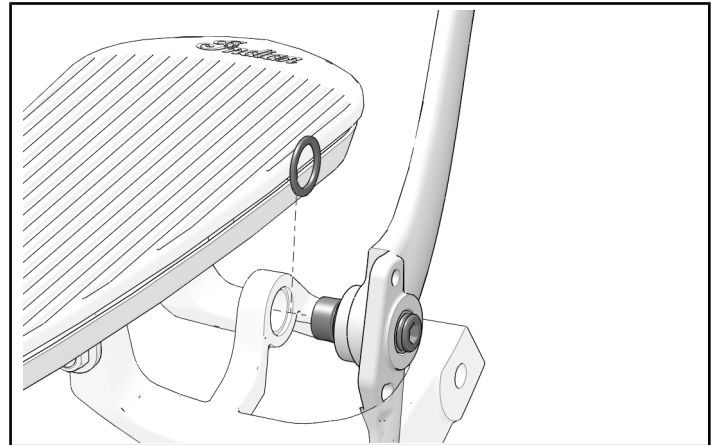
1. Remove retaining ring and washer from pivot shaft.



2. Remove shifter, pivot shaft, and wave washer from assembly.

TIP

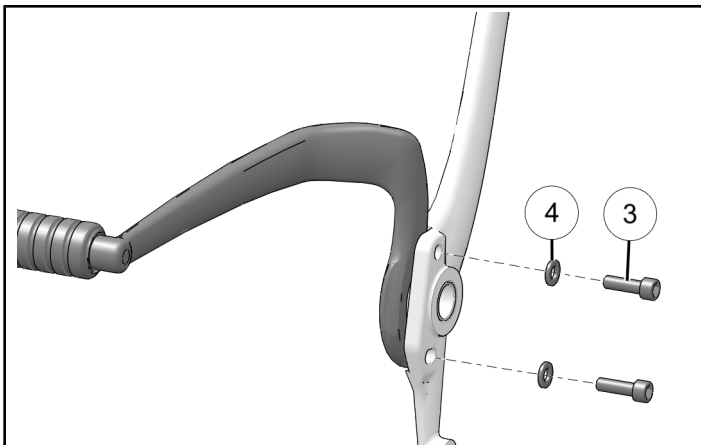
Note differences in wave washer and outside washer.



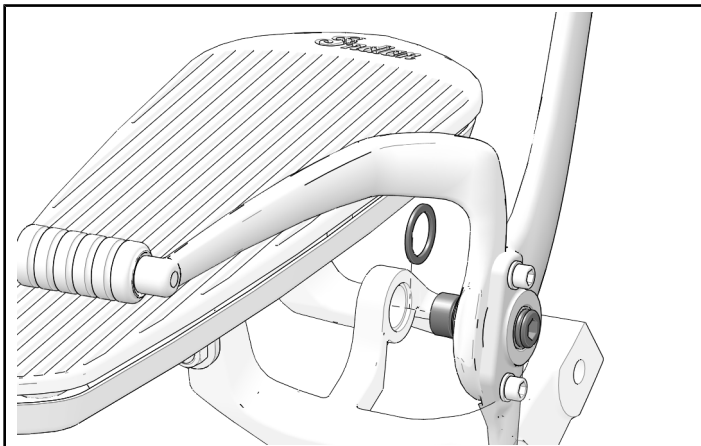
- Align heel shifter with toe shifter and install with two fasteners ③ and two washers ④.

TORQUE

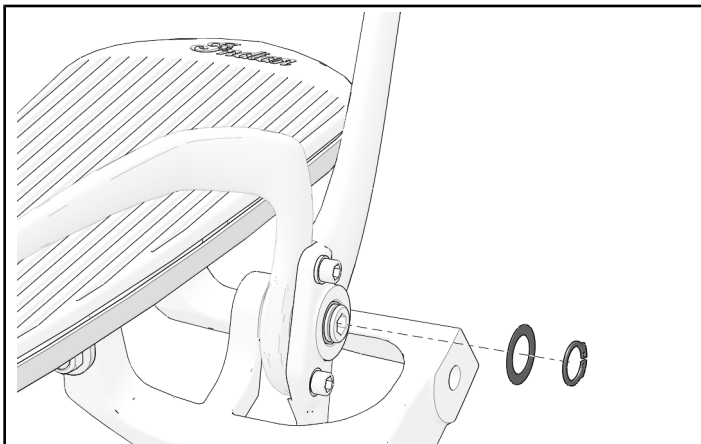
Heel Shifter Fasteners:
84 in-lbs (9.5 N·m)



- Reinstall shifter assembly onto pivot shaft. Reinstall pivot shaft and wave washer to floorboard assembly.



- Secure shifter to floorboard assembly with washer and retaining ring.



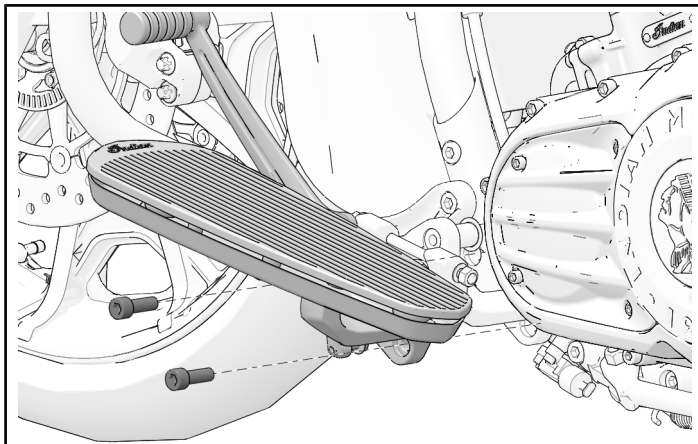
VEHICLE REASSEMBLY

LEFT-HAND FLOORBOARD INSTALLATION

- Install floorboard assembly to motorcycle frame with two floorboard fasteners.

TORQUE

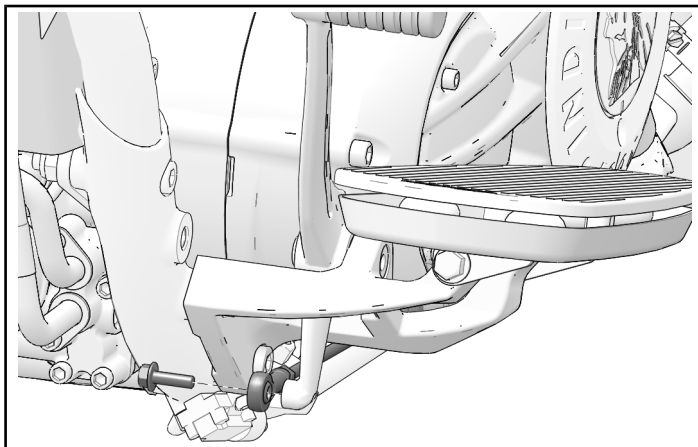
Floorboard Fasteners:
35 ft-lbs (48 Nm)



- Install shift rod to shifter with front shift rod fastener.

TORQUE

Shift Rod Fastener:
84 in-lbs (10 Nm)



GENERAL

- Cycle shift lever through gears to ensure there is clearance between heel shifter and all motorcycle components.

FEEDBACK FORM

A feedback form has been created for the installer to provide any comments, questions or concerns about the installation instructions. The form is viewable on mobile devices by scanning the QR code or by clicking [HERE](#) if viewing on a PC.

