

DRIVER FOOT CONTROLS KIT



P/N 2889214-XXX; 2889215-XXX; 2889216-XXX

IMPORTANT

Due to the technical nature of this kit, Indian Motorcycle® insists that this installation be performed by a certified Indian Motorcycle® technician.

BEFORE YOU BEGIN

Read these instructions and check to be sure all parts and tools are accounted for. Please retain these installation instructions for future reference and parts ordering information.

APPLICATION

Verify accessory fitment at www.indianmotorcycle.com.

KIT CONTENTS

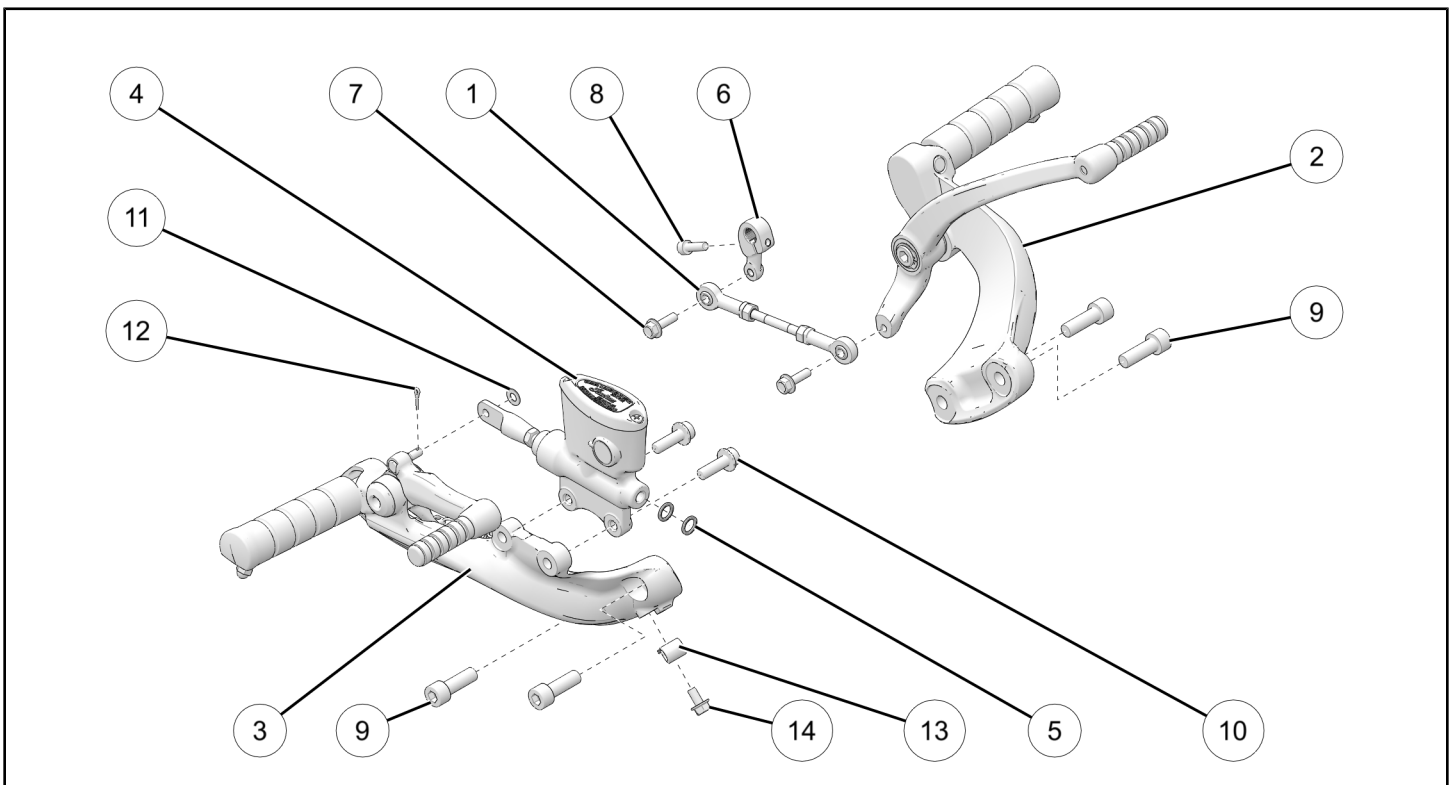
NOTICE

XXX = Indian Motorcycle® color code (For example: 266 = Black)

FOOT CONTROLS WITH PEGS KIT P/N 2889214-XXX; 2889215-XXX

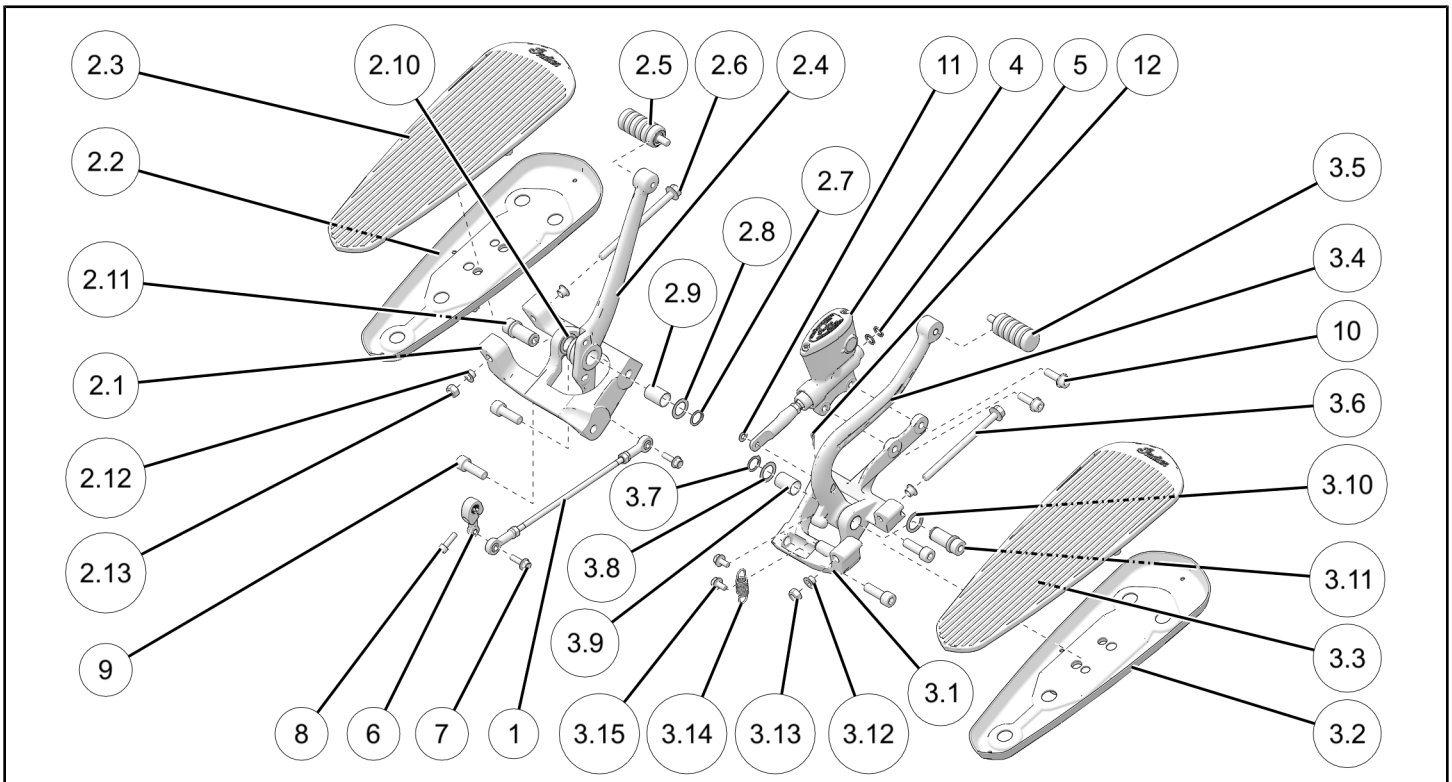
NOTICE

P/N 2889214-XXX Shown - Other Kit Similar



REF	QTY	PART DESCRIPTION	P/N AVAILABLE SEPARATELY
1	1	Mid Shifter Linkage Assembly (Kit P/N 2889214-XXX) Forward Shifter Linkage Assembly (Kit P/N 2889215-XXX)	1025183 1025256
2	1	LH Mid Driver Foot Control Assembly (Kit P/N 2889214-XXX) LH Forward Driver Foot Control Assembly (Kit P/N 2889215-XXX)	1025184-XXX 1025255-XXX
3	1	RH Mid Driver Foot Control Assembly (Kit P/N 2889214-XXX) RH Forward Driver Foot Control Assembly (Kit P/N 2889215-XXX)	1025185-XXX 1025258-XXX
4	1	Rear Master Cylinder Assembly	1913619-XXX
5	2	Crush Washer	1913793
6	1	Straight Shifter Lever	5143783
7	2	Screw, Hex Flange Head M6 x 1.0 x 20 mm	7518141
8	1	Screw, Socket Head M6 x 1.0 x 20 mm	7519827
9	4	Screw, Socket Head M10 x 1.5 x 30 mm	7519844
10	2	Screw, Socket Head w/Flange M8 x 1.25 x 25 mm	7520832
11	1	Washer, 6.4 x 12.6 x 0.8 mm	7556121
12	1	Cotter Pin 1/16 x 1/2 in	7661010
13	1	Rear Brake Clamp	7080983
14	1	Screw, Hex Flange Head M6 x 1.0 x 12 mm	7517704

FORWARD FOOT CONTROLS WITH FLOORBOARDS KIT P/N 2889216-XXX



REF	QTY	PART DESCRIPTION	P/N AVAILABLE SEPARATELY
1	1	Shifter Linkage Assembly	1025256
2	1	LH Driver Floorboard Assembly	N/A
2.1	1	- LH Driver Floorboard	1019309-XXX
2.2	1	- LH Driver Floorboard Support	5138351-XXX
2.3	1	- Driver Floorboard Pad	5415040
2.4	1	- Shifter Pedal	5138405-XXX
2.5	1	- Brake/Shifter Peg	5412493
2.6	1	- Screw, Hex Flange Head M8 x 1.25 x 120 mm	7519818
2.7	1	- Retaining Ring 14.7 x 1 mm	7710499
2.8	1	- Washer, 16.50 x 24.8 x 0.38 mm	7556075
2.9	1	- Shift Pedal Bearing	3514335
2.10	1	- Wave Washer, M19	7556273
2.11	1	- Threaded Pin Pivot Shaft	5140782
2.12	2	- Flange Bearing 8 x 10 x 7 mm	3514565
2.13	1	- Nut, M8 x 1.25 mm, Nylon Locking	7547673
3	1	RH Driver Floorboard Assembly	N/A
3.1	1	- RH Driver Floorboard	1019310-XXX
3.2	1	- RH Driver Floorboard Support	5141001-XXX
3.3	1	- Driver Floorboard Pad	5415040
3.4	1	- Brake Pedal/Peg Assembly	1023251-XXX
3.5	1	- Brake/Shifter Peg	5412493
3.6	1	- Screw, Hex Flange Head M8 x 1.25 x 120 mm	7519818
3.7	1	- Retaining Ring 14.7 x 1 mm	7710499
3.8	1	- Washer, 16.50 x 24.8 x 0.38 mm	7556075
3.9	1	- Shift Pedal Bearing	3514335
3.10	1	- Wave Washer, M19	7556273
3.11	1	- Threaded Pin Pivot Shaft	5140782
3.12	2	- Flange Bearing 8 x 10 x 7 mm	3514565
3.13	1	- Nut, M8 x 1.25 mm, Nylon Locking	7547673
3.14	1	- Brake Return Extension Spring	7042288
3.15	2	Screw, Hex Flange Head M6 x 1.0 x 12 mm	7517704
4	1	Rear Master Cylinder Assembly	1912864-XXX
5	2	Crush Washer	1913793
6	1	Straight Shifter Lever	5143783
7	2	Screw, Hex Flange Head M6 x 1.0 x 20 mm	7518141

REF	QTY	PART DESCRIPTION	P/N AVAILABLE SEPARATELY
8	1	Screw, Socket Head M6 x 1.0 x 20 mm	7519827
9	4	Screw, Socket Head M10 x 1.5 x 30 mm	7519844
10	2	Screw, Socket Head w/Flange M8 x 1.25 x 25 mm	7520832
11	1	Washer, 6.4 x 12.6 x 0.8 mm	7556121
12	1	Cotter Pin 1/16 x 1/2 in	7661010

TOOLS REQUIRED

- Safety Glasses
- Drain Pan
- Hex Key Set, Metric
- Pliers, Side Cutting
- Socket Set, Hex Bit, Metric
- Socket Set, Metric
- Torque Wrench
- Wrench Set, Metric

CONSUMABLES REQUIRED

- Gloves, Chemical Resistant
- DOT 4 Brake Fluid

IMPORTANT

Your Indian Motorcycle® Driver Foot Controls Kit is exclusively designed for your vehicle. Please read the installation instructions thoroughly before beginning. Installation is easier if the vehicle is clean and free of debris. For your safety, and to ensure a satisfactory installation, perform all installation steps correctly in the sequence shown.

INSTALLATION INSTRUCTIONS

VEHICLE PREPARATION

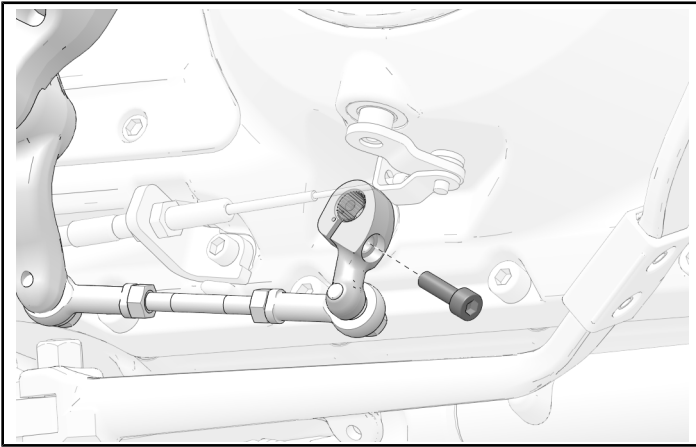
GENERAL

1. Park motorcycle on a flat surface, fully extend kickstand, and make sure vehicle is stable.
2. Turn key or ignition switch to OFF position and remove key. If equipped with keyless fob, remove fob from proximity of vehicle.

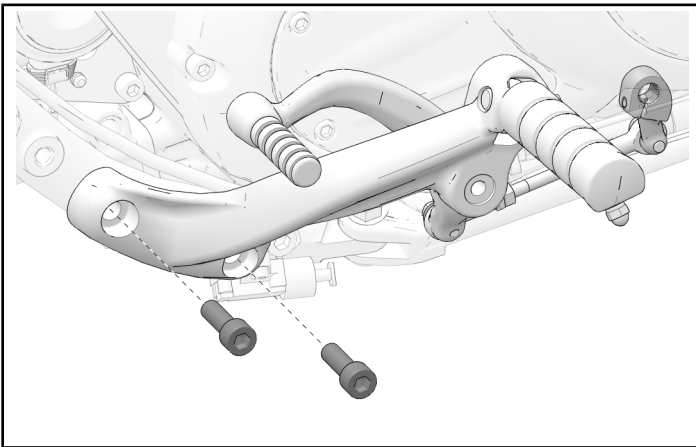
LEFT-HAND

LEFT-HAND FOOT CONTROLS WITH PEGS REMOVAL

1. Remove the shift arm retaining screw and move the shift arm off of the transmission input shaft.

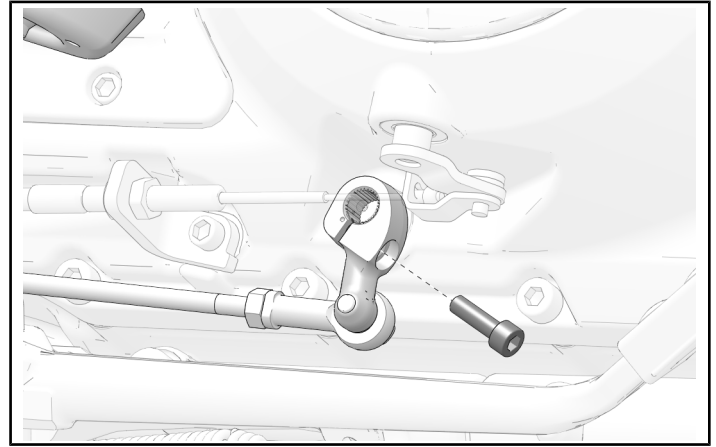


2. Remove the two foot control mount screws and remove the left-hand foot control assembly from the motorcycle.

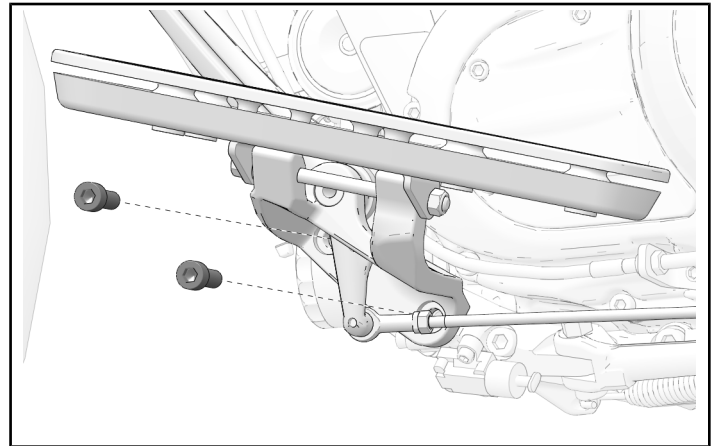


LEFT-HAND FORWARD FOOT CONTROLS WITH FLOORBOARDS REMOVAL

1. Remove the shift arm retaining screw and move the shift arm off of the transmission input shaft.



2. Remove the two foot control mount screws and remove the left-hand foot control assembly from the motorcycle.



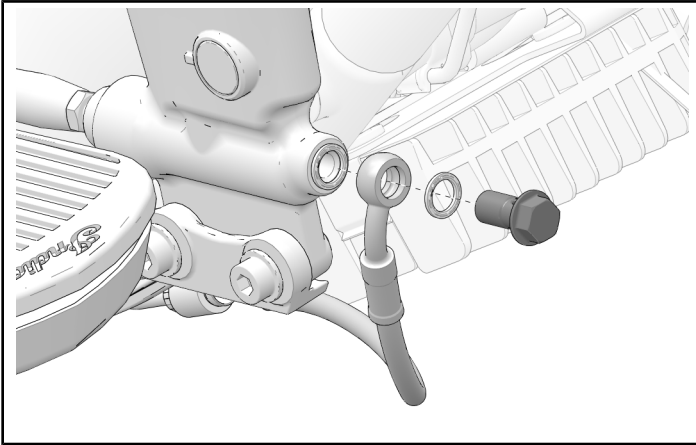
RIGHT-HAND

RIGHT-HAND FORWARD FOOT CONTROLS WITH FLOORBOARDS REMOVAL

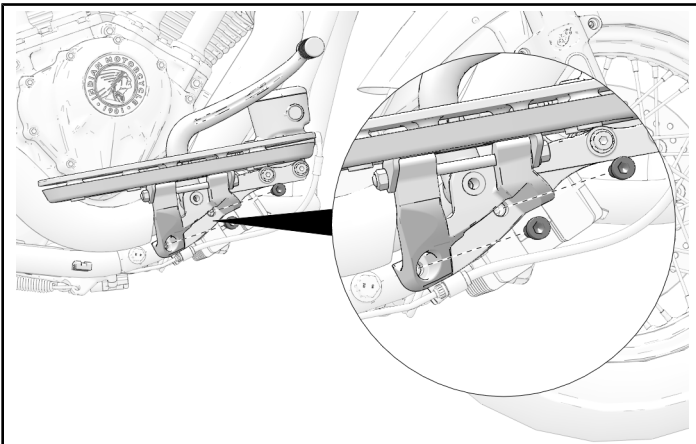
NOTICE

Reference this section when removing forward foot controls with floorboards and installing accessory mid/forward foot controls with pegs.

1. Remove the rear master cylinder banjo bolt and disconnect the brake line. Discard crush washers.



2. Remove the two foot control mounting screws and remove the foot control assembly from the motorcycle.

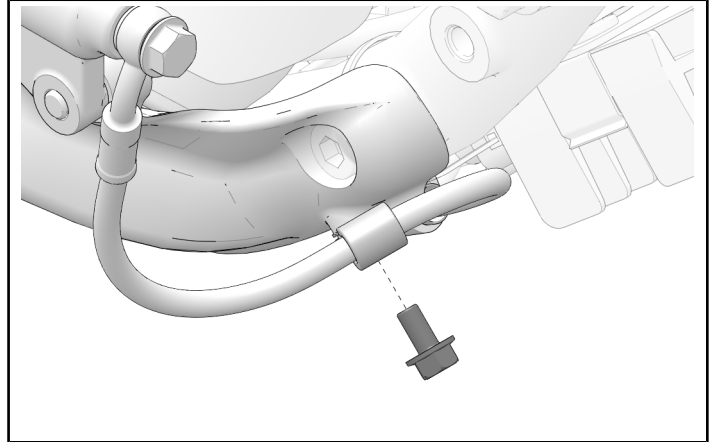


RIGHT-HAND FOOT CONTROLS WITH PEGS REMOVAL

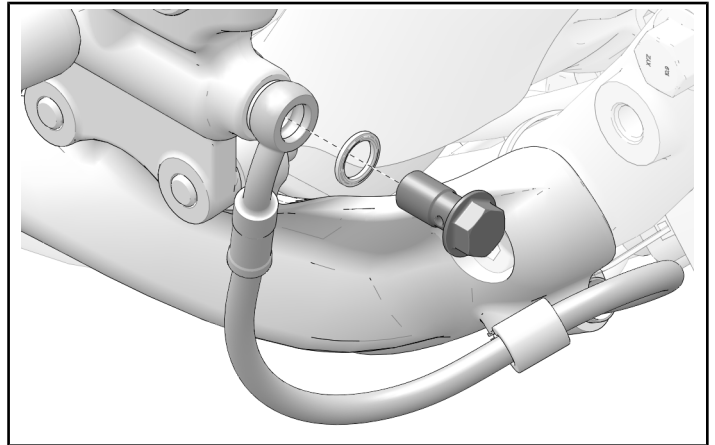
NOTICE

Reference this section when removing mid/forward foot controls with pegs and installing accessory forward foot controls with floorboards.

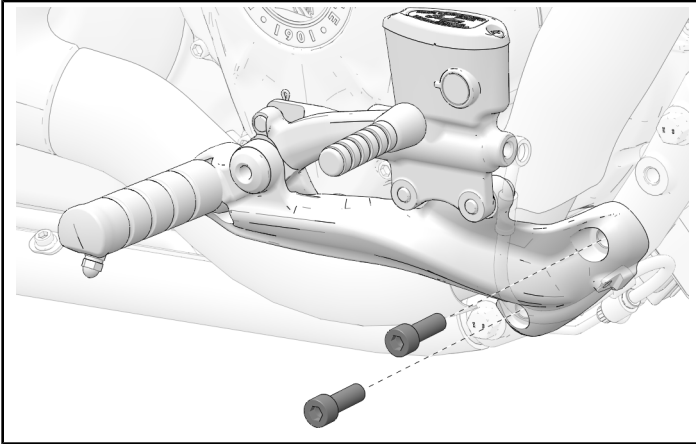
1. Remove the brake line P-clip screw from the foot control mount.



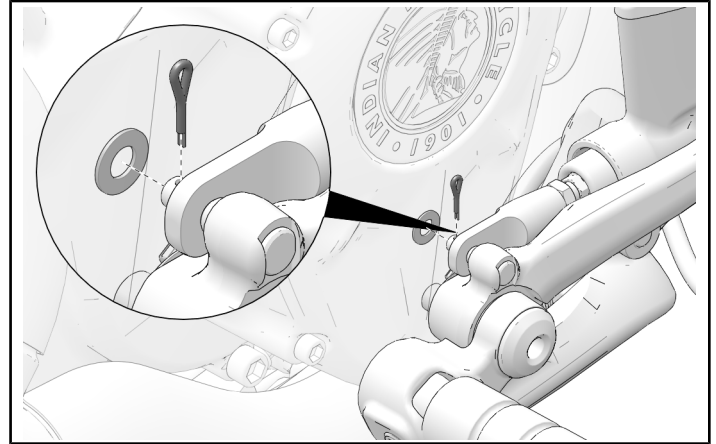
2. Remove the rear master cylinder banjo bolt and disconnect the brake line. Discard crush washers.



3. Remove the two foot control mounting screws and remove the foot control assembly from the motorcycle.



2. Remove the cotter pin and washer from the clevis pin. Disconnect the rear master cylinder clevis from the brake pedal.

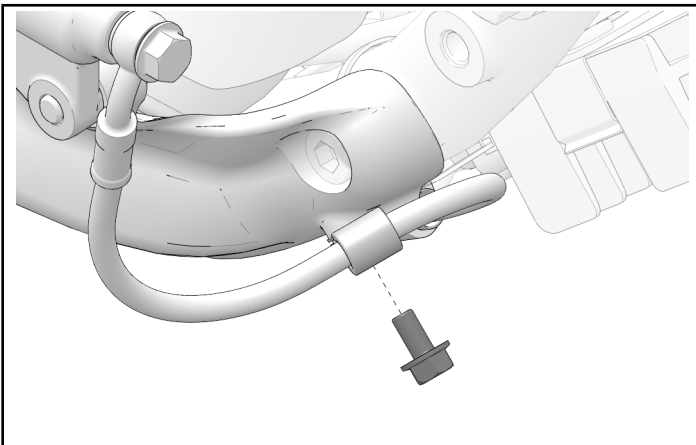


SWAPPING RIGHT-HAND FOOT CONTROLS WITH PEGS REMOVAL

NOTICE

Reference this section when removing mid/forward foot controls with pegs and installing accessory mid/forward foot controls with pegs.

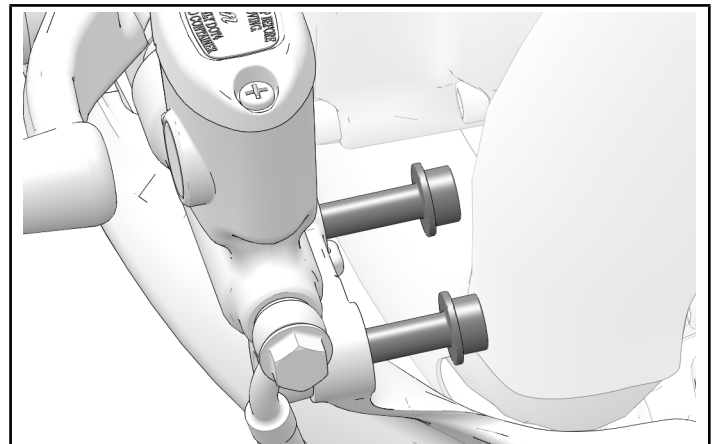
1. Remove the brake line P-clip screw from the foot control mount.



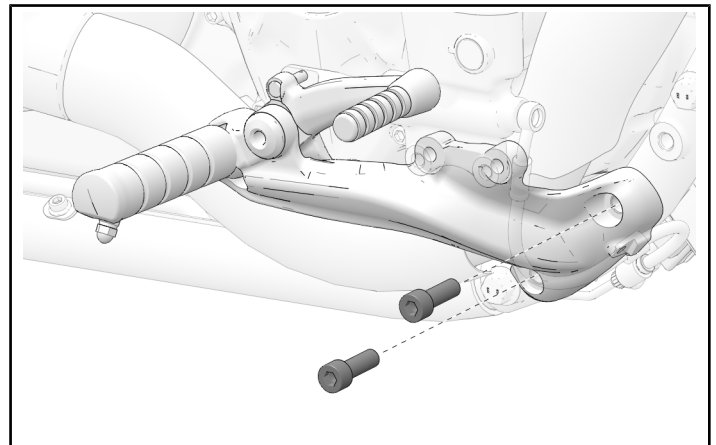
3. Remove the two rear master cylinder screws and remove the rear master cylinder/brake line assembly from the foot control mount.

NOTICE

Keep the rear master cylinder upright to prevent needing to bleed the brake system.



4. Remove the two foot control mounting screws and remove the foot control assembly from the motorcycle.



ACCESSORY INSTALLATION

LEFT-HAND FOOT CONTROLS INSTALLATION

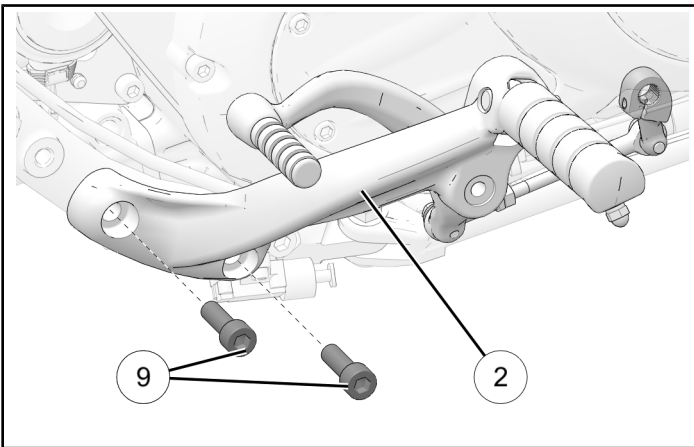
NOTICE

Mid foot controls with pegs shown, forward foot controls with pegs and forward foot controls with floorboards similar.

1. Install the left-hand foot control assembly ② onto the frame using the two mounting screws ⑨. Torque screws to specification.

TORQUE

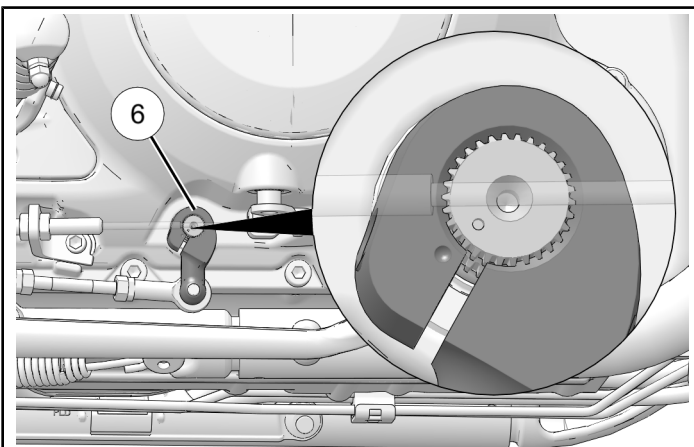
Foot Control Mounting Screws ⑨:
35 ft-lbs (48 N·m)



2. Install the shift arm ⑥ onto the transmission input shaft.

NOTICE

Align the dimples on the shift arm and input shaft to obtain an initial shift pedal position.



3. Examine shift pedal placement and adjust shift arm spline position to adjust shift pedal peg up or down.

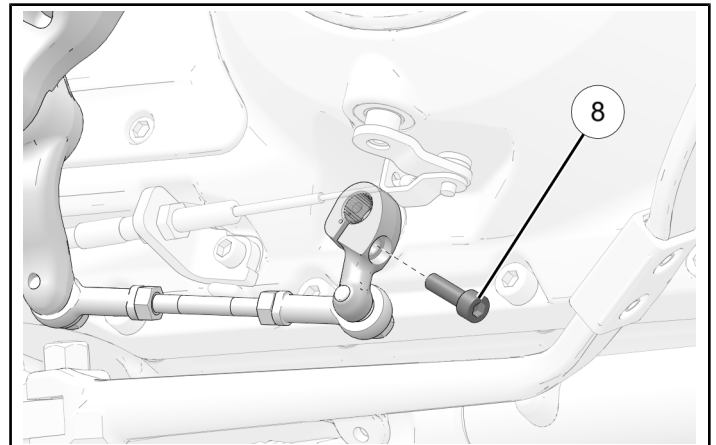
4. Once desired shift pedal position has been obtained, torque the shift arm retaining screw ⑧ to specification.

TORQUE

Shift Arm Retaining Screw ⑧:
88 in-lbs (10 N·m)

IMPORTANT

Cycle shift pedal and make sure there is no interference between any parts when shifting.



RIGHT-HAND FOOT CONTROLS WITH PEGS INSTALLATION

NOTICE

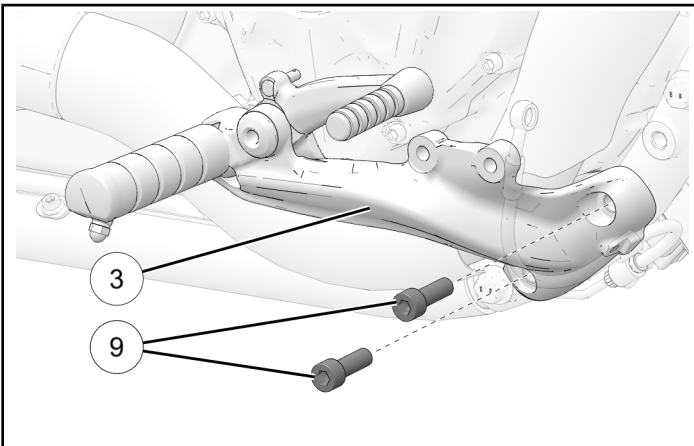
Reference this section when removing forward foot controls with floorboards and installing accessory mid/forward foot controls with pegs.

Mid foot controls with pegs shown, forward foot controls with pegs similar.

1. Install the right-hand foot control assembly ③ onto the frame using the two mounting screws ⑨. Torque screws to specification.

TORQUE

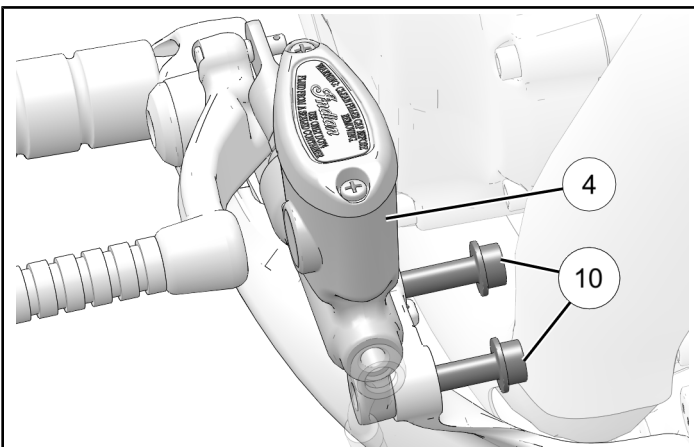
Foot Control Mounting Screws ⑨:
35 ft-lbs (48 N·m)



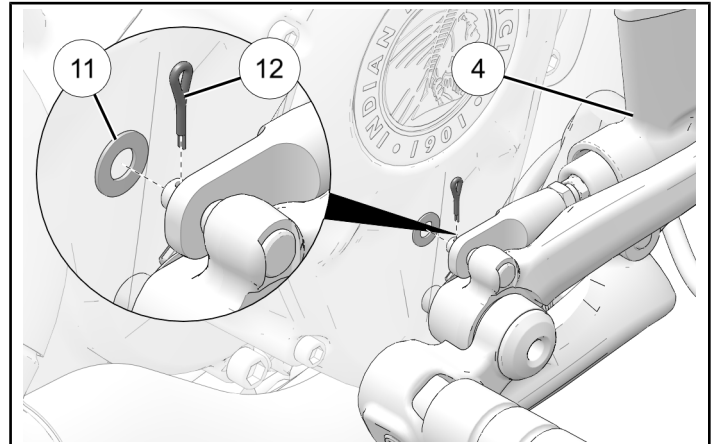
2. Install the rear master cylinder ④ to foot control mount using two mounting screws ⑩. Torque screws to specification.

TORQUE

Rear Master Cylinder Mounting Screws ⑩:
18 ft-lbs (25 N·m)



3. Connect rear master cylinder ④ to brake pedal clevis pin. Install washer ⑪ and cotter pin ⑫ into the clevis pin from the top, down. Once installed, flare out the ends of the cotter pin.



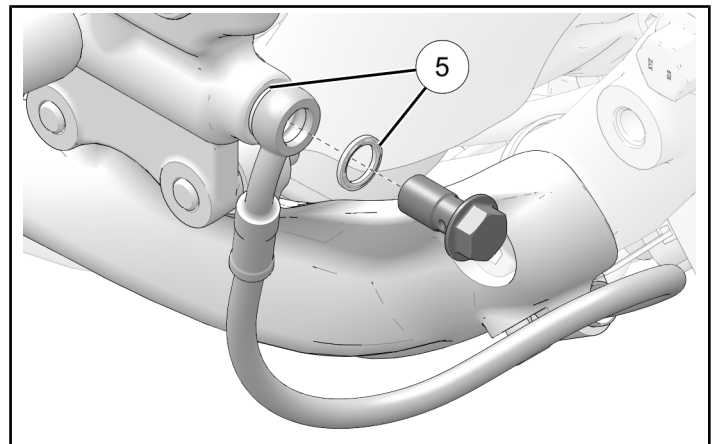
4. Install retained banjo bolt and brake line onto rear master cylinder. Torque bolt to specification. Bleed the rear brake system.

IMPORTANT

Make sure to use new crush washers ⑤ supplied in kit.

TORQUE

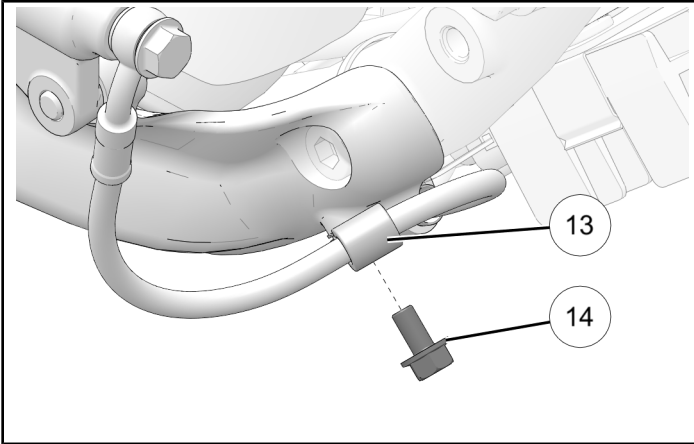
Banjo Bolt:
18 ft-lbs (25 N·m)



5. Install P-clip ⑬ around brake line and secure P-clip to foot control mount with screw ⑭. Torque screw to specification.

TORQUE

P-clip Screw ⑭:
88 in-lbs (10 N·m)



NOTICE

If rear master cylinder was swapped or rear master cylinder was not kept upright bleed brakes per service manual.

RIGHT-HAND FORWARD FOOT CONTROLS WITH FLOORBOARDS INSTALLATION

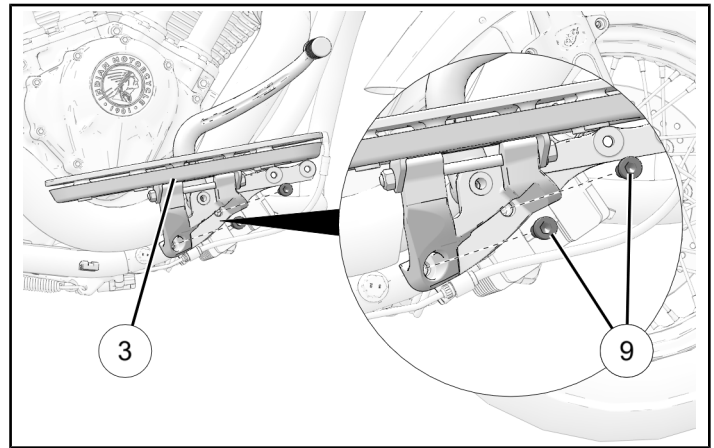
NOTICE

Reference this section when removing mid/forward foot controls with pegs and installing accessory forward foot controls with floorboards.

1. Install the right-hand foot control assembly ③ onto the frame using the two mounting screws ⑨. Torque screws to specification.

TORQUE

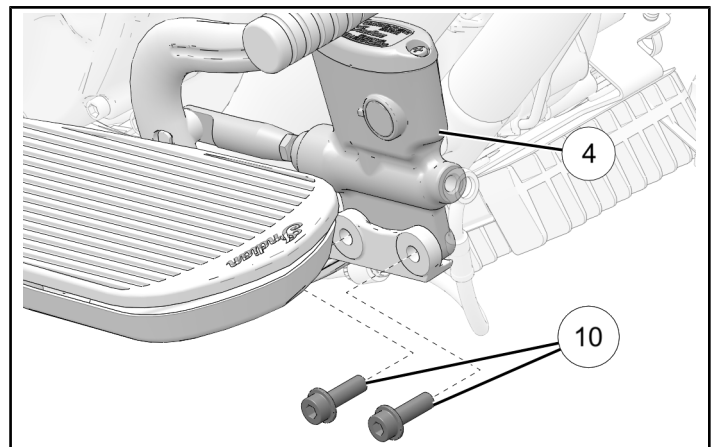
Foot Control Mounting Screws ⑨:
35 ft-lbs (48 N·m)



2. Install the rear master cylinder ④ to foot control mount using two mounting screws ⑩. Torque screws to specification.

TORQUE

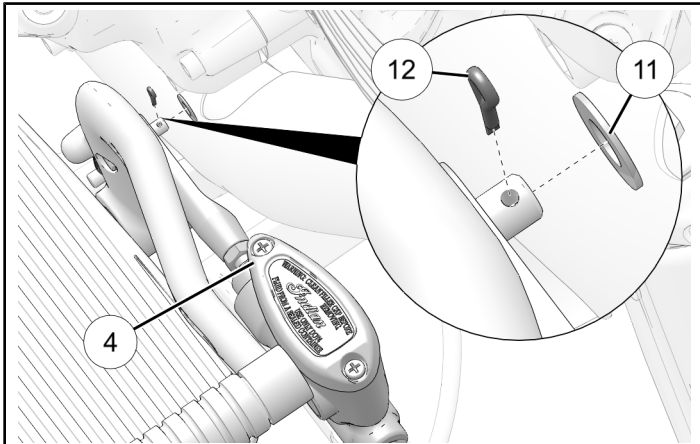
Rear Master Cylinder Mounting Screws ⑩:
18 ft-lbs (25 N·m)



3. Connect rear master cylinder ④ to brake pedal clevis pin. Install washer ⑪ and cotter pin ⑫ into the clevis pin from the top, down. Once installed, flare out the ends of the cotter pin.

NOTICE

Make sure the large indented profile in the rear master cylinder clevis is facing the engine.



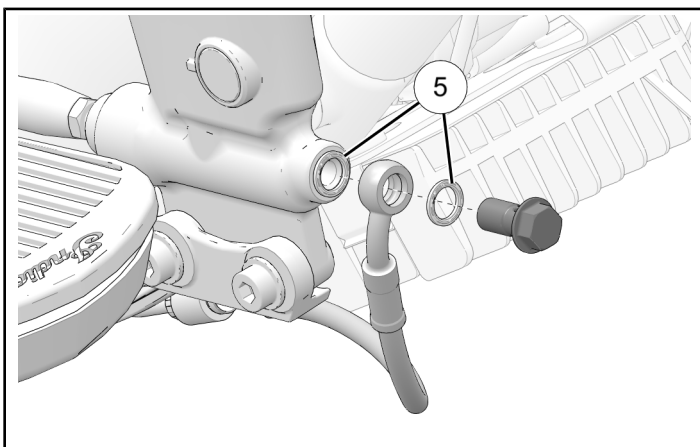
4. Install retained banjo bolt and brake line onto rear master cylinder. Torque bolt to specification. Bleed the rear brake system.

IMPORTANT

Make sure to use new crush washers ⑤ supplied in kit.

TORQUE

Banjo Bolt:
18 ft-lbs (25 N·m)



NOTICE

If rear master cylinder was swapped or rear master cylinder was not kept upright bleed brakes per service manual.

SWAPPING RIGHT-HAND FOOT CONTROLS WITH PEGS INSTALLATION

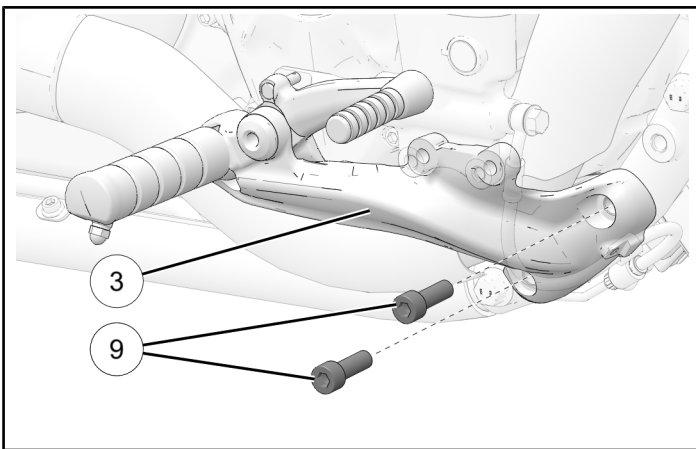
NOTICE

Reference this section when removing mid/forward foot controls with pegs and installing accessory mid/forward foot controls with pegs.

1. Install the right-hand foot control assembly ③ onto the frame using the two mounting screws ⑨. Torque screws to specification.

TORQUE

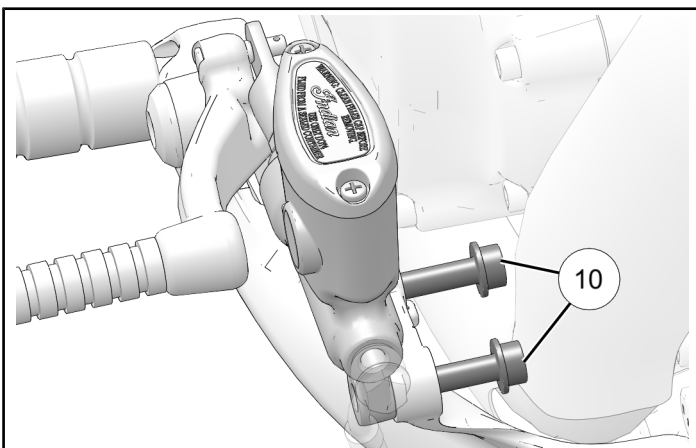
Foot Control Mounting Screws ⑨:
35 ft-lbs (48 N·m)



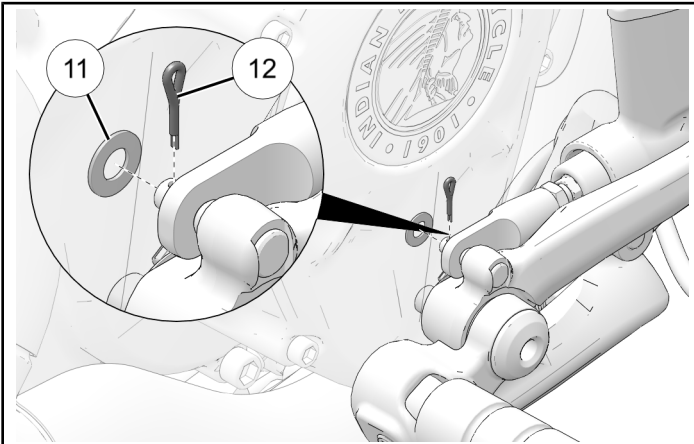
2. Install retained rear master cylinder to foot control mount using two mounting screws ⑩. Torque screws to specification.

TORQUE

Rear Master Cylinder Mounting Screws ⑩:
18 ft-lbs (25 N·m)



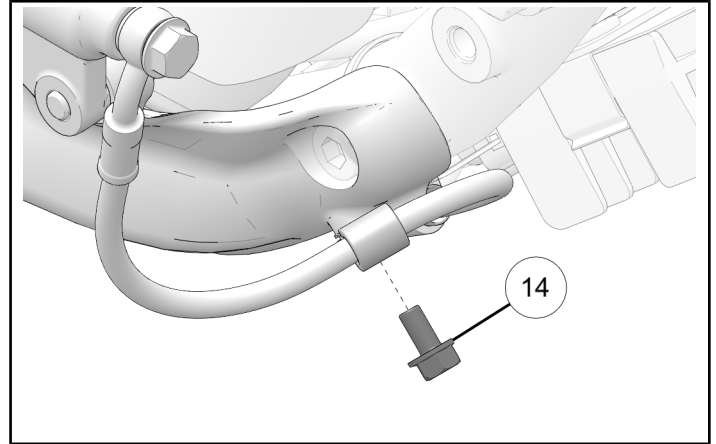
3. Connect rear master cylinder to brake pedal clevis pin. Install washer ⑪ and cotter pin ⑫ into the clevis pin from the top, down. Once installed, flare out the ends of the cotter pin.



4. Install retained P-clip and secure P-clip to foot control mount with screw ⑭. Torque screw to specification.

TORQUE

P-clip Screw ⑭:
88 in-lbs (10 N·m)



NOTICE

If rear master cylinder was swapped or rear master cylinder was not kept upright bleed brakes per service manual.

INSTRUCTION FEEDBACK FORM

A feedback form has been created for the installer to provide any comments, questions or concerns about the installation instructions. The form is viewable on mobile devices by scanning the QR code or by clicking [HERE](#) if viewing on a PC.

