

RALLY HANDLEBAR KIT BY PROTAPER®



P/N 2883769

INTERNATIONAL INSTRUCTIONS

DE DEUTSCH

Laden Sie die neuesten PDF-Anweisungen von www.indianmotorcycle.de herunter.

FR FRANÇAIS

Télécharger les dernières instructions en format PDF sur www.indianmotorcycle.fr.

IT ITALIANO

Scarica l'ultima versione delle istruzioni in formato PDF da www.indianmoto.it.

EN ENGLISH

Download the latest PDF instructions from www.indianmotorcycle.com.

ES ESPAÑOL

Descargue las instrucciones más recientes en formato PDF de www.indianmotorcycle.mx / www.indianmotorcycle.es.

ZH 中文

从www.indianmotorcycle.cn 下载最新的PDF说明。

1



2



3



4



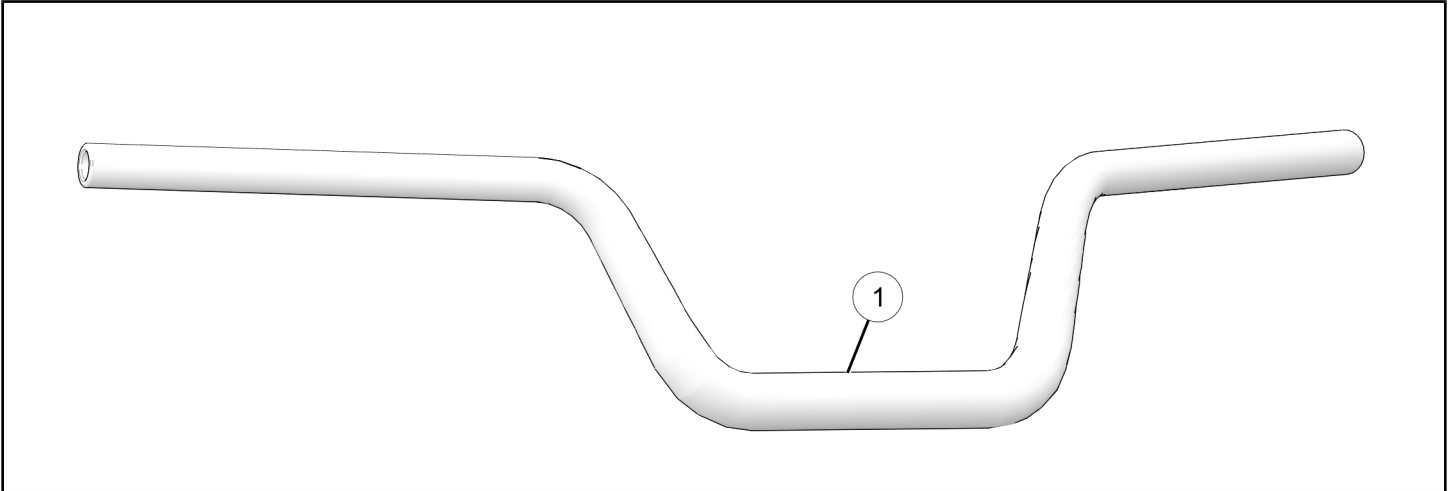
APPLICATION

Verify accessory fitment at www.indianmotorcycle.com.

BEFORE YOU BEGIN

Read these instructions and check to be sure all parts and tools are accounted for. Please retain these installation instructions for future reference and parts ordering information.

KIT CONTENTS



REF	QTY	PART DESCRIPTION	P/N AVAILABLE SEPARATELY
1	1	Handlebar–Rally	N/A
	1	Instructions	9929577

NOTE

If stock grips are damaged during this installation please contact your local Indian Motorcycle® dealer for replacement parts.

- Right Hand Grip P/N 5416520
- Left Hand Grip P/N 5416519

TOOLS REQUIRED

- Air Blow Gun
- Air Compressor
- Safety Glasses
- Hex Key Set, Metric
- Hex Key Set, Ball End, Metric
- Pick and Hook Set
- Screwdriver Set, Torx®
- Socket Set, Hex Bit, Metric
- Socket Set, Metric
- Socket Set, Torx® Bit
- Torque Wrench

CONSUMABLES REQUIRED

- Isopropyl Alcohol (IPA)

IMPORTANT

Your accessory kit is exclusively designed for your vehicle. Please read the installation instructions thoroughly before beginning. Installation is easier if the vehicle is clean and free of debris. For your safety, and to ensure a satisfactory installation, perform all installation steps correctly in the sequence shown.

INSTALLATION INSTRUCTIONS

CAUTION

Protect airbox painted finish with protective cloth during installation.

VEHICLE PREPARATION

GENERAL

1. Turn key or ignition switch to OFF position and remove key.
2. Ensure motorcycle is parked on a flat surface, kickstand is fully extended, and vehicle is stable prior to installation.

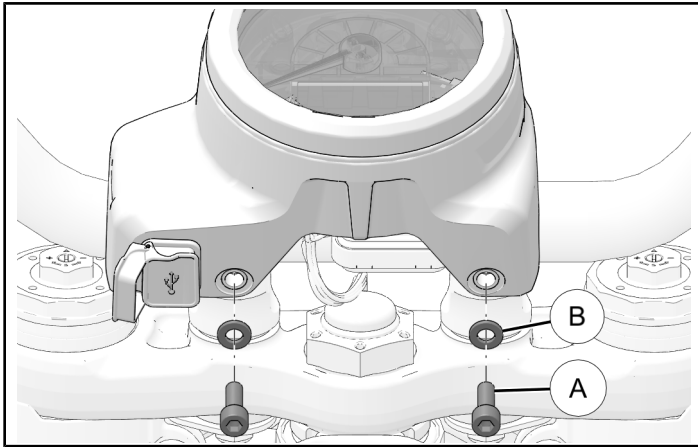
INSTRUMENT PANEL REMOVAL

INSTRUMENT CLUSTER REMOVAL (IF APPLICABLE)

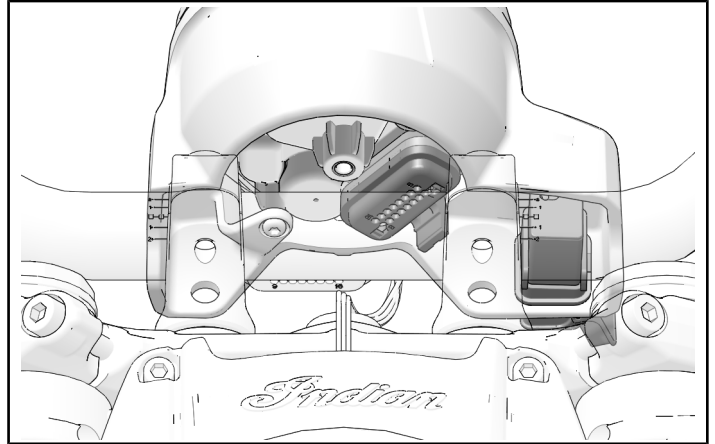
1. Remove and retain two instrument cluster fasteners (A) and two washers (B) from front of instrument cluster.

CAUTION

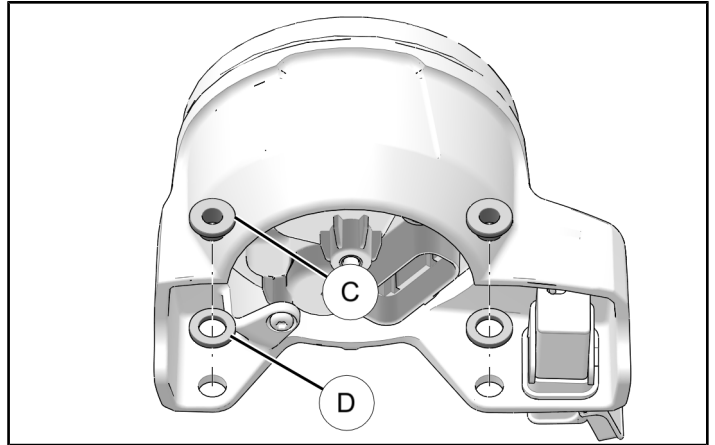
Protect airbox painted finish with protective cloth during removal.



2. Disconnect electrical harness connector and two USB connectors before removing instrument cluster from handlebar.



3. Remove and retain two bushings (C) and two rubber washers (D) from rear of instrument cluster.

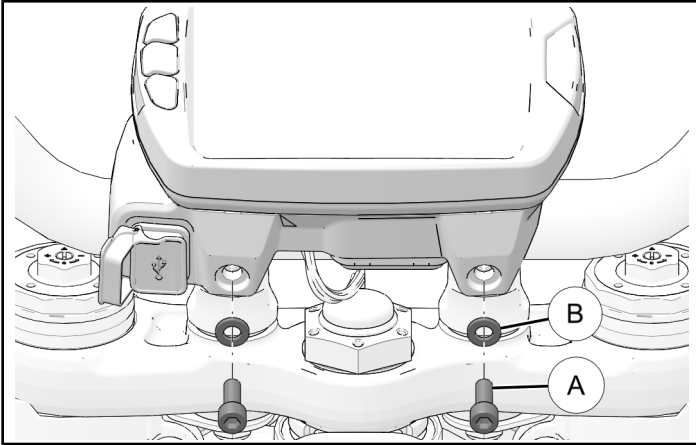


RIDE COMMAND™ REMOVAL **(IF APPLICABLE)**

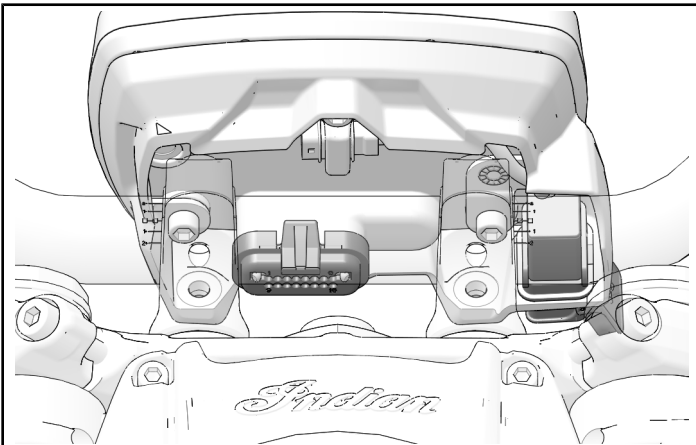
1. Remove and retain two Ride Command™ fasteners (A) and two washers (B) from front of Ride Command™ assembly.

CAUTION

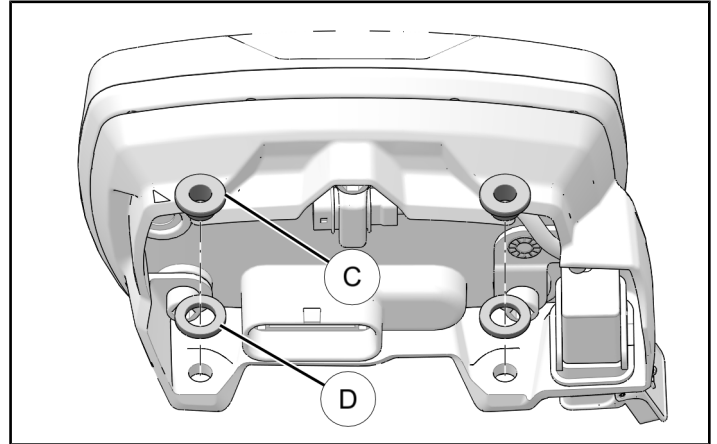
Protect airbox painted finish with protective cloth during removal.



2. Disconnect electrical harness connector and two USB connectors before removing Ride Command™ from handlebar.

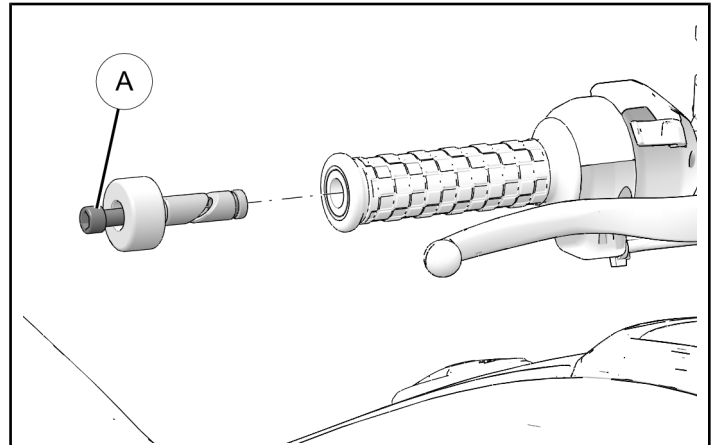


3. Remove and retain two bushings (C) and two rubber washers (D) from rear of Ride Command™ assembly.



BAR END REMOVAL

1. Loosen, but DO NOT completely remove, screw (A) until end cap and wedge anchor assembly can be removed from handlebar tube.



2. Repeat this section for opposite side.

LH GRIP REMOVAL

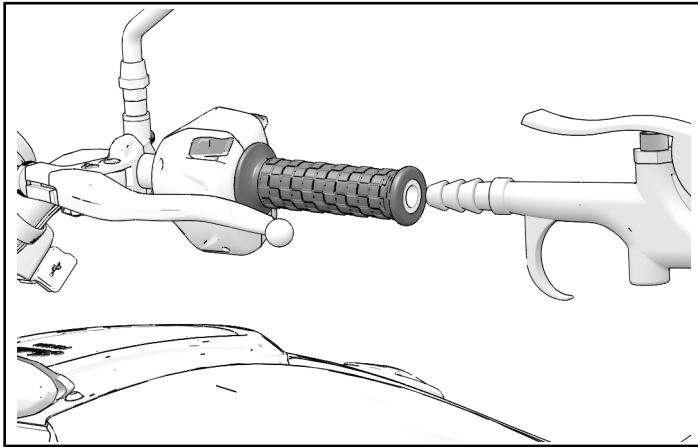
1. Align nozzle of air blow gun between handlebar and grip. Blow air to loosen and remove grip.

TIP

After grip is loosened with air, isopropyl alcohol may be used to decrease friction and remove grip.

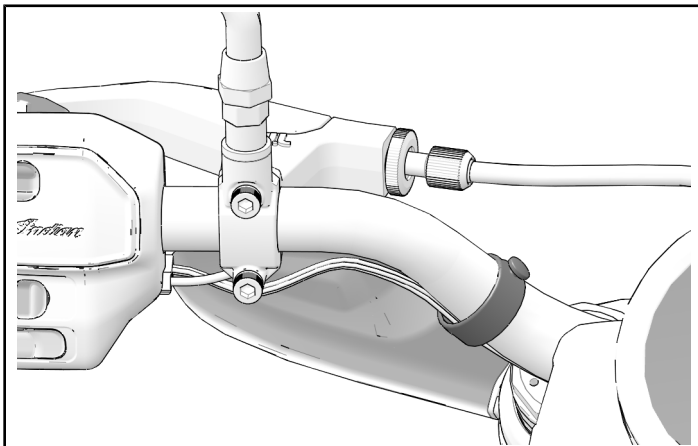
⚠ WARNING

Isopropyl alcohol is hazardous to your health. See isopropyl alcohol packaging for proper handling instructions, including recommended personal protective equipment such as goggles and chemical resistant gloves.

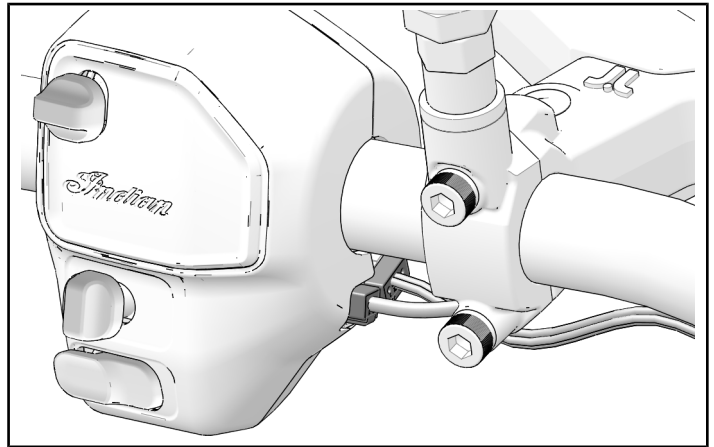


LH CONTROLS REMOVAL

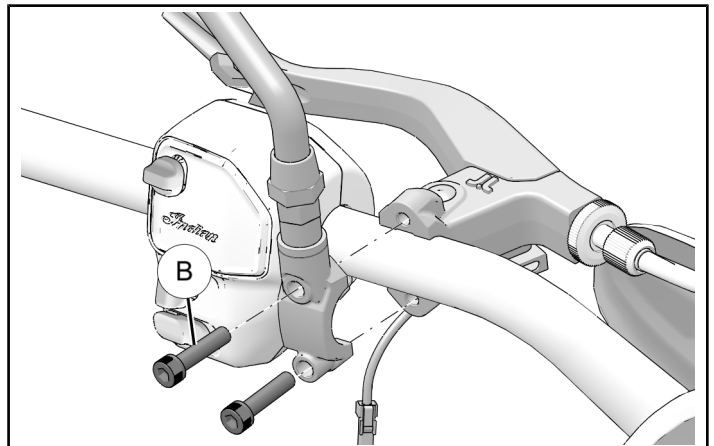
1. Unbutton rubber cable tie and retain for reinstallation.



2. Use small pick to push in connector tabs to disconnect LH control harness and clutch..



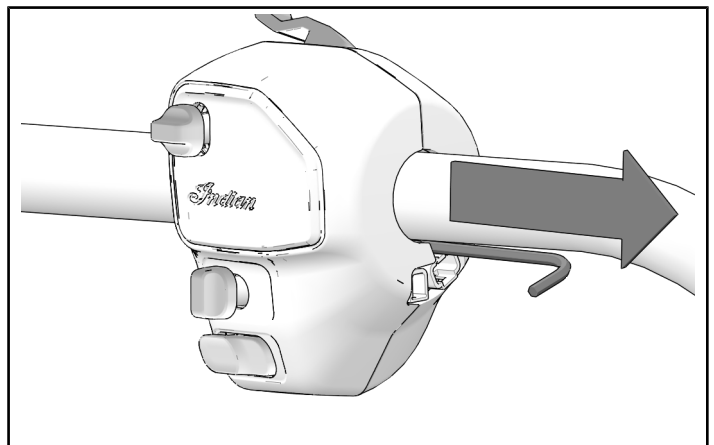
3. Remove and retain two screws (B) to separate side-mirror perch and clutch lever. Gently let clutch hang and place mirror perch aside.



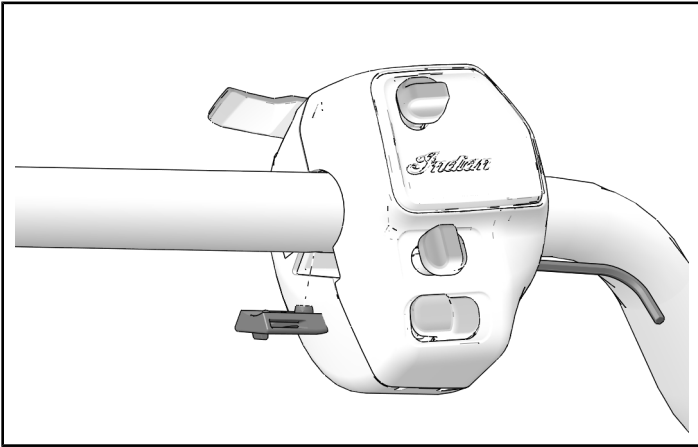
4. Use 2 mm hex key to disengage mounting clip, located beneath LH switch cube. Simultaneously, slide LH switch cube towards center of handlebar

CAUTION

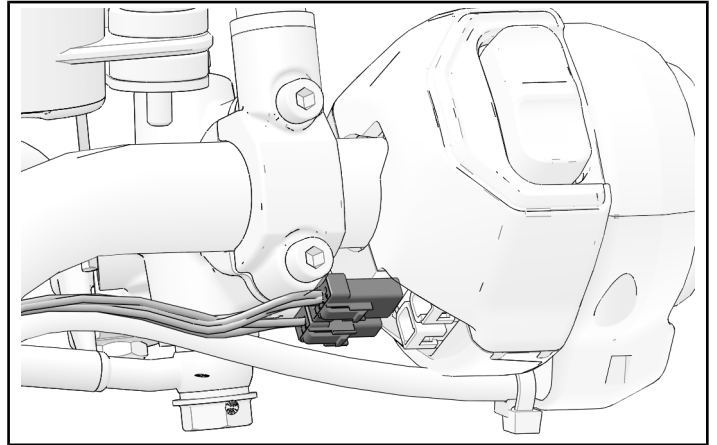
Ensure hex key doesn't scratch or damage handlebar finish. Insert hex key against cube, not handlebar.



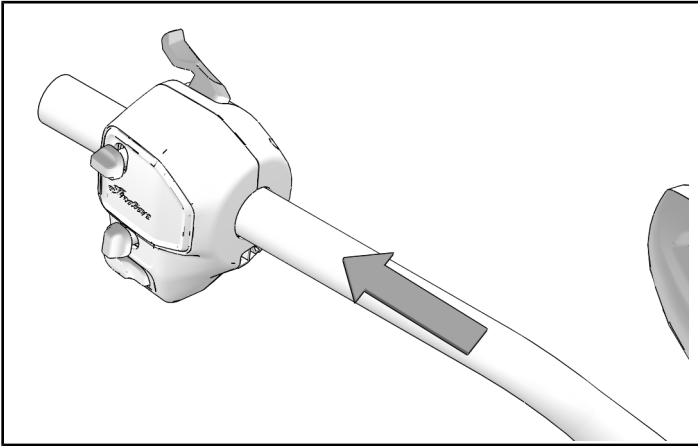
5. With switch cube slid inward, remove mounting clip.



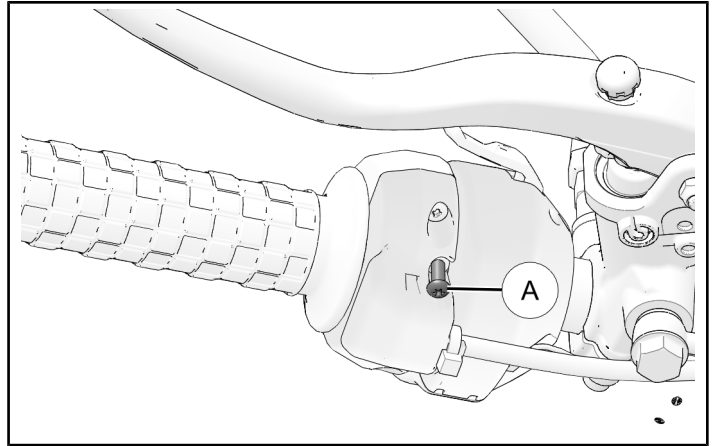
2. Use small pick to push in connector tabs and disconnect RH controls.



6. Slide LH switch cube off handlebar and gently set aside.

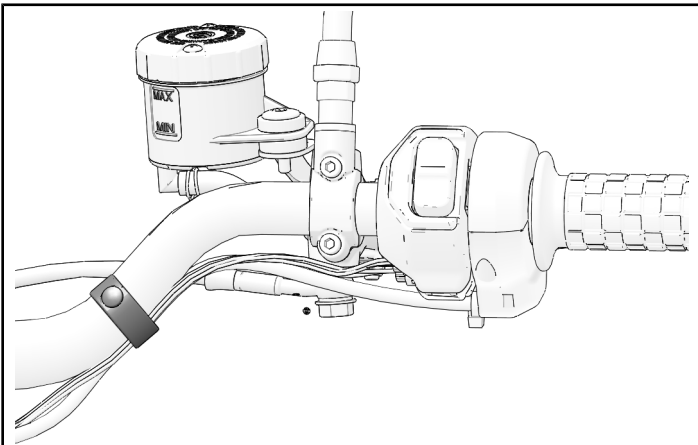


3. Loosen, but DO NOT remove, screw (A) from electronic throttle control (ETC).



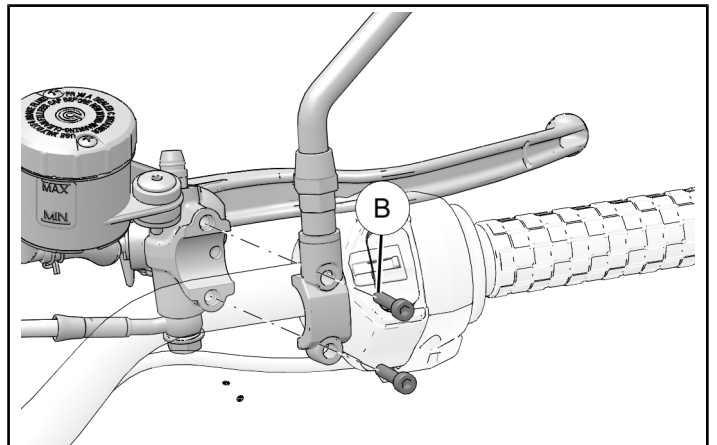
RH CONTROLS REMOVAL

1. Unbutton rubber cable tie and retain for reinstallation.

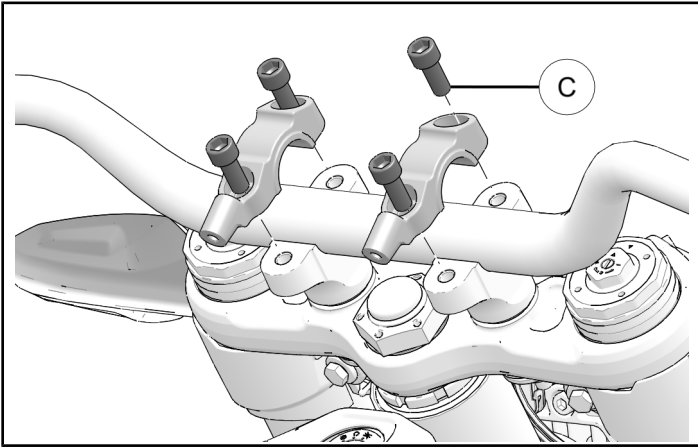


4. Remove and retain two screws (B) separate side-mirror perch and brake master cylinder.

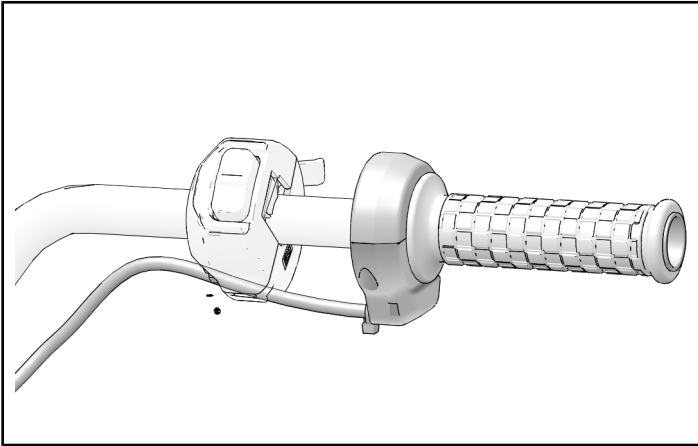
⚠ WARNING
Support and level master cylinder. Failure to keep brake reservoir upright may allow fluid leakage or air to enter brake system causing reduced brake performance or brake failure, resulting in personal injury or death.



5. Remove and retain four screws (C) and two clamps to remove handlebar.



6. Slide ETC off handlebar and gently let ETC hang.

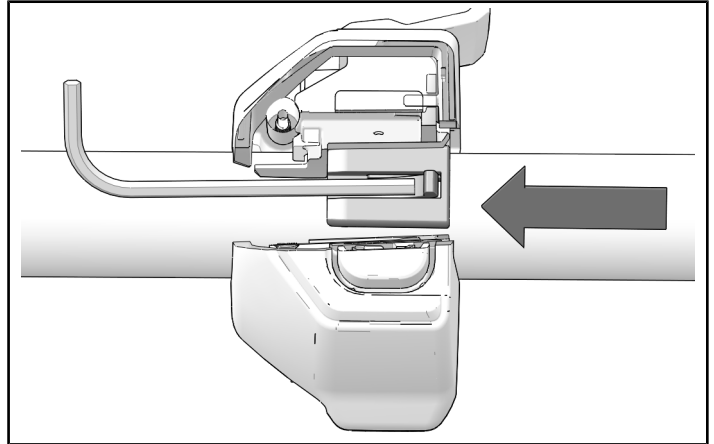


7. Set handlebar on protective cloth to protect handlebar and RH control.

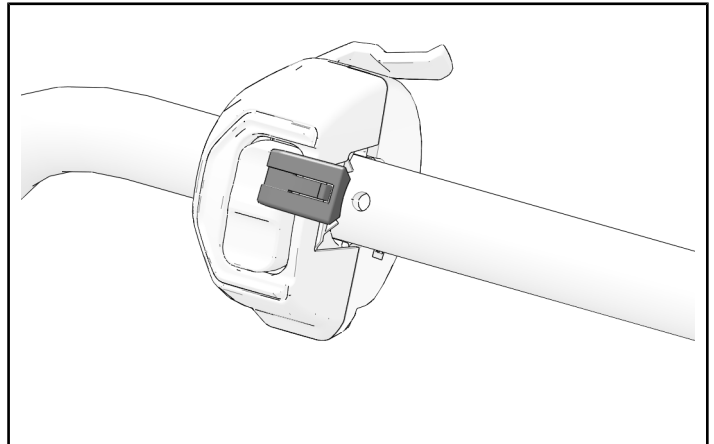
8. Use 2 mm hex key to disengage mounting clip, located beneath RH switch cube. Simultaneously, slide RH switch cube towards center of handlebar

CAUTION

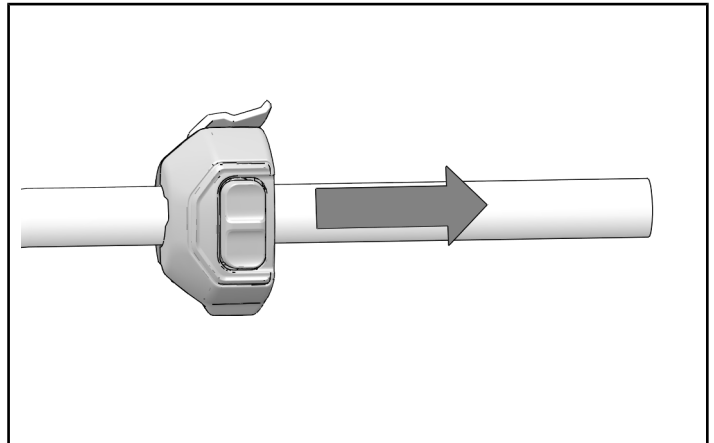
Ensure hex key doesn't scratch or damage handlebar finish. Insert hex key against cube, not handlebar.



9. With switch cube slid inward, remove mounting clip.



10. Slide RH switch cube off handlebar and gently set aside.



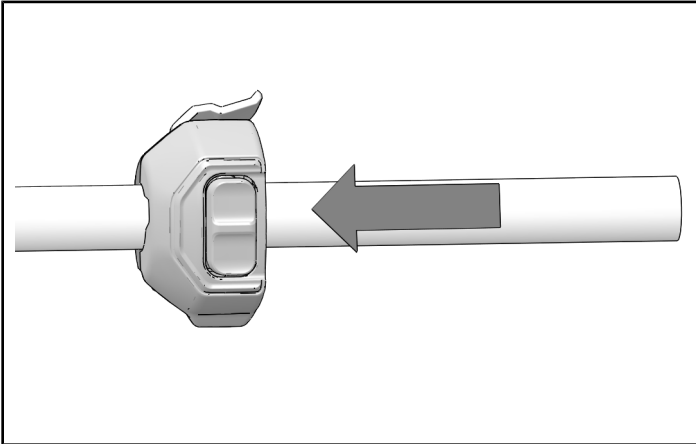
ACCESSORY INSTALLATION

NOTE

Proceed with installing Rally Handlebar by ProTaper™.

RH CONTROLS INSTALLATION

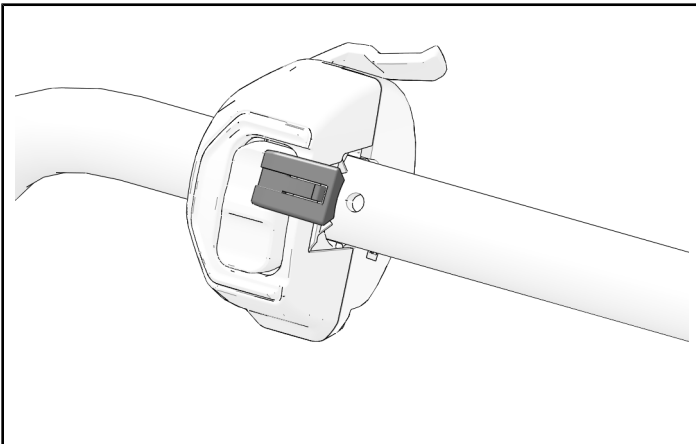
1. Slide RH switch cube onto handlebar.



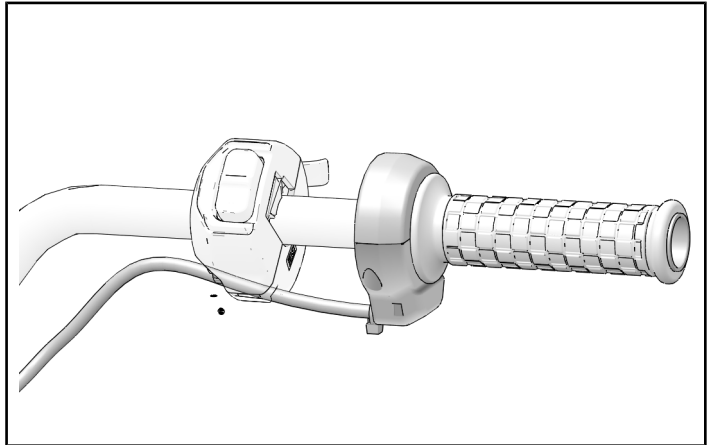
2. Place mounting clip into hole and slide RH switch cube into installed-position until switch cube snaps into place on mounting clip.

NOTE

Hex key is not needed for this step.



3. Slide ETC onto handlebar.

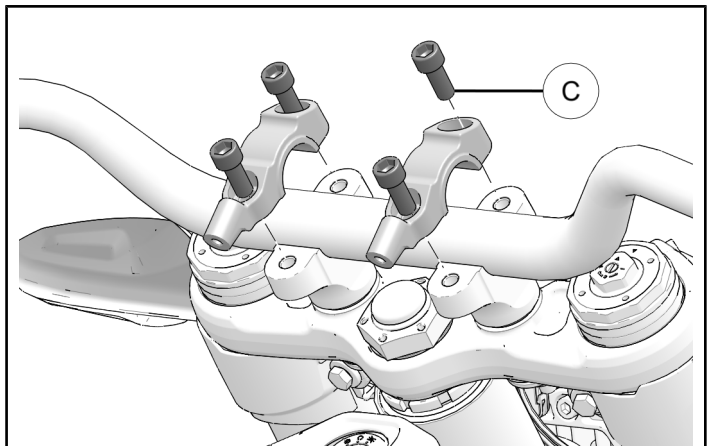


4. Loosely install handlebar with two riser caps and four retained screws (C).

Do not torque screws at this time.

IMPORTANT

Ensure instrument cluster harnesses are routed under handlebar.

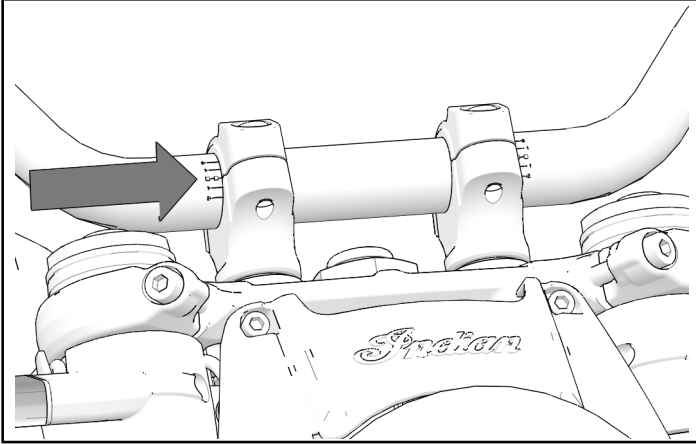


5. Adjust handlebar to 0 index. Torque screws, installed in previous step.

Torque front screws first.

TORQUE

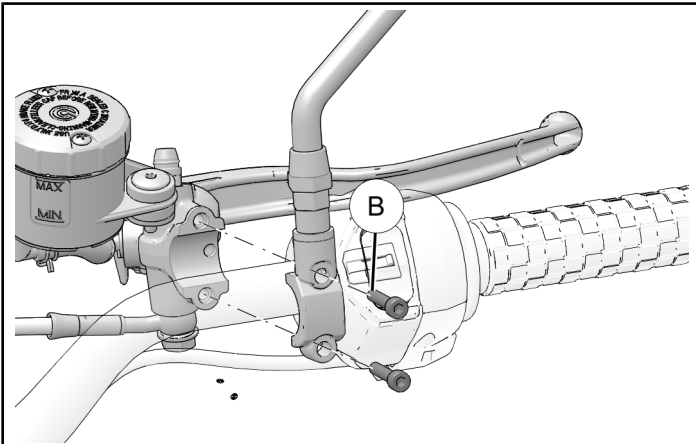
Four screws ③: 18 ft. lbs. (24 Nm)



6. Reinstall mirror perch and brake master cylinder with two screws ④. ensure mirror / brake lever position is at desired position before torquing hardware.

TORQUE

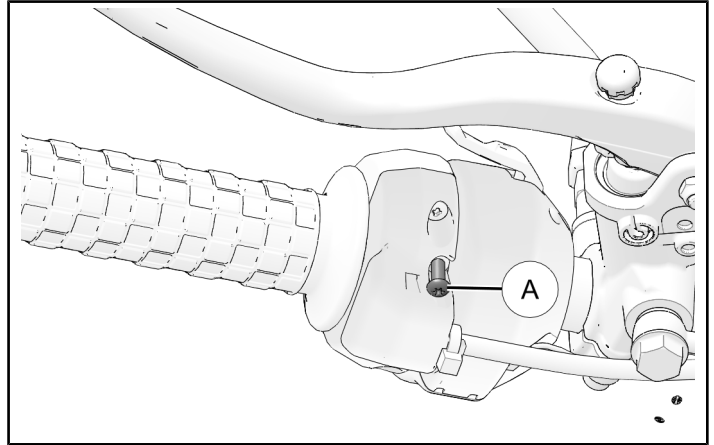
Two screws ④: 96 in. lbs. (11 Nm)



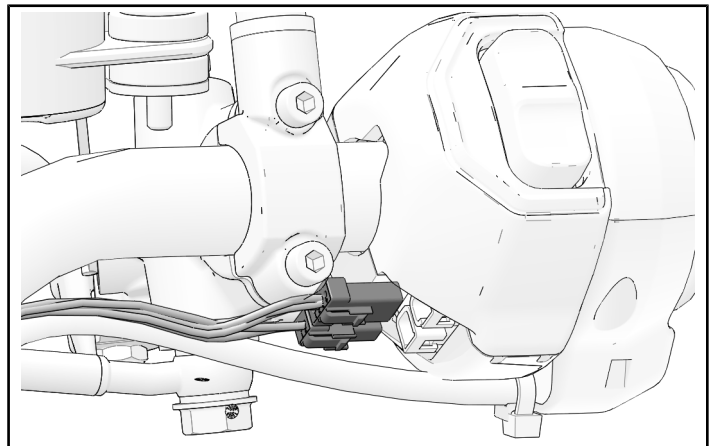
7. Secure ETC with screw ⑤.

TORQUE

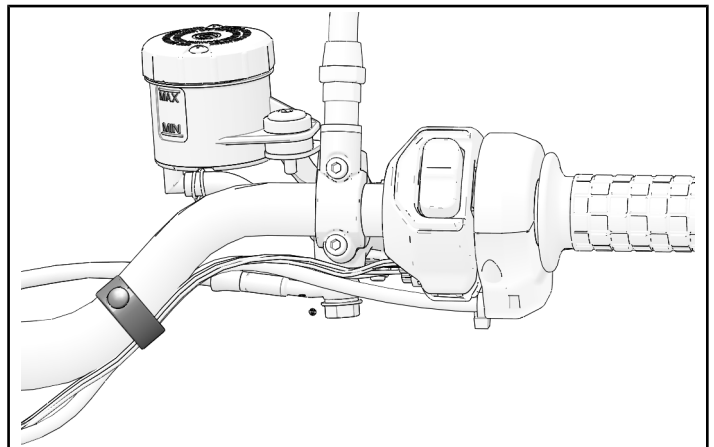
One screw ⑤: 27 in. lbs. (3 Nm)



8. Reconnect RH switch cube harness connectors.



9. Secure RH switch cube harness to handlebar with retained rubber cable tie.



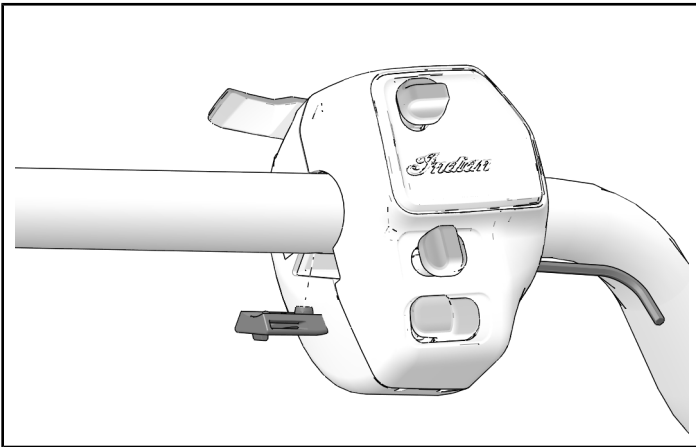
VEHICLE REASSEMBLY

LH CONTROLS INSTALLATION

1. Slide LH switch cube onto handlebar and towards center of handlebar. Place mounting clip in mounting hole. Return LH switch cube to installed-position, ensuring switch cube snaps into place on mounting clip.

NOTE

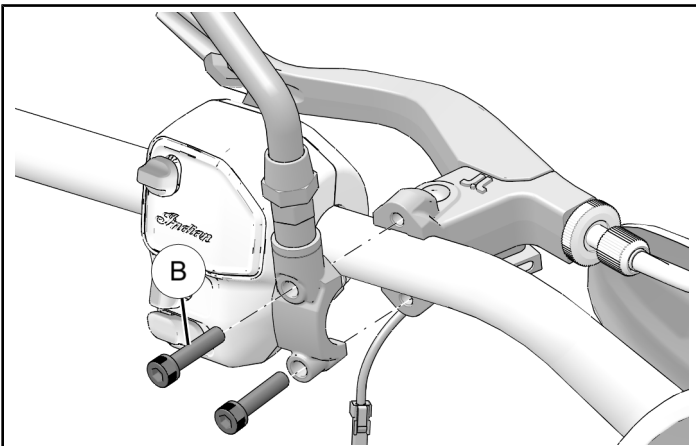
Hex key is not needed for this step.



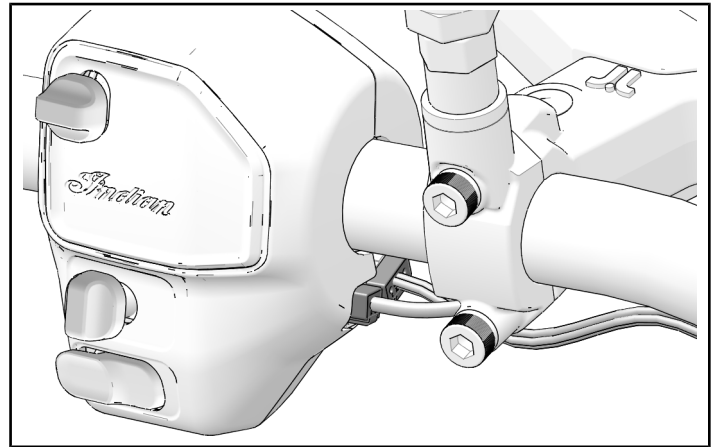
2. Loosely install mirror perch to clutch lever with two retained screws (B). Ensure mirror/clutch lever positioning is at desired position before torquing hardware.

TORQUE

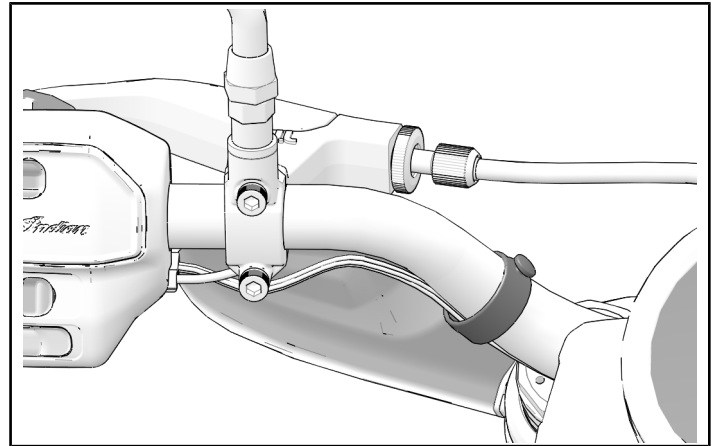
Two screws (B): 96 in. lbs. (11 Nm)



3. Reconnect clutch and harness connectors to LH switch cube.



4. Secure LH switch cube harness to handlebar with retained rubber cable tie.

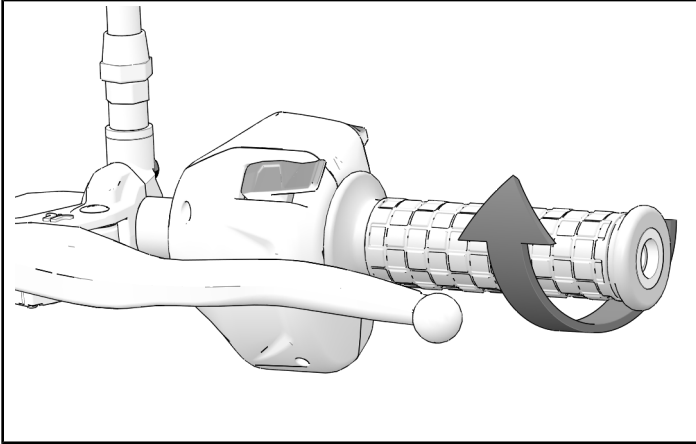


LH GRIP INSTALLATION

1. Thinly coat inside of LH Grip with isopropyl alcohol to help reduce friction during installation. Install by twisting grip back-and-forth until fully seated on handlebar.

⚠ WARNING

Isopropyl alcohol is hazardous to your health. See isopropyl alcohol packaging for proper handling instructions, including recommended personal protective equipment such as goggles and chemical resistant gloves.



NOTE

Allow isopropyl alcohol sufficient time to dry. Riding with a loose grip cause loss of control resulting in severe injury or death.

BAR END INSTALLATION

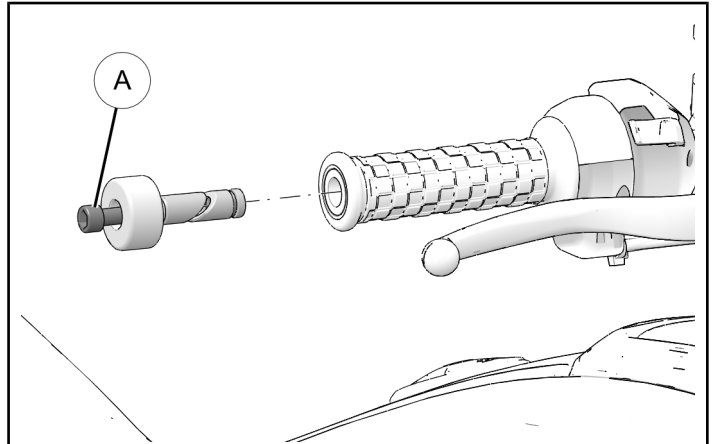
1. Partially thread screw (A) into wedge anchor assembly. Slide wedge anchor into handlebar tube until bar end is flush against handlebar tube.

TORQUE

One screw (A): 18 ft. lbs. (24 Nm)

IMPORTANT

Twist throttle and ensure throttle returns without friction. Friction may be caused by grip rubbing against bar end.

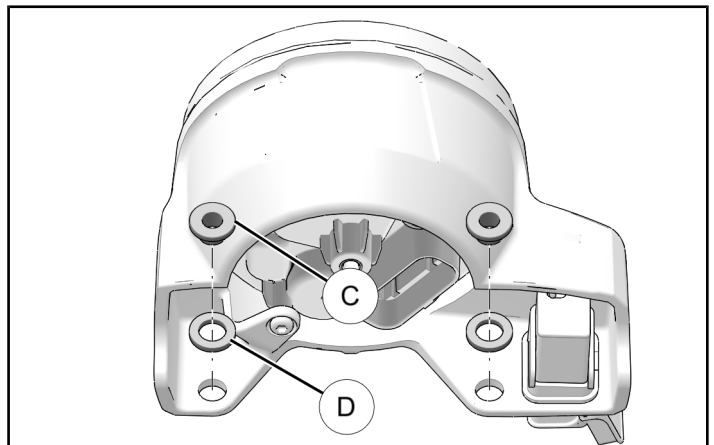


2. Repeat this section for opposite side.

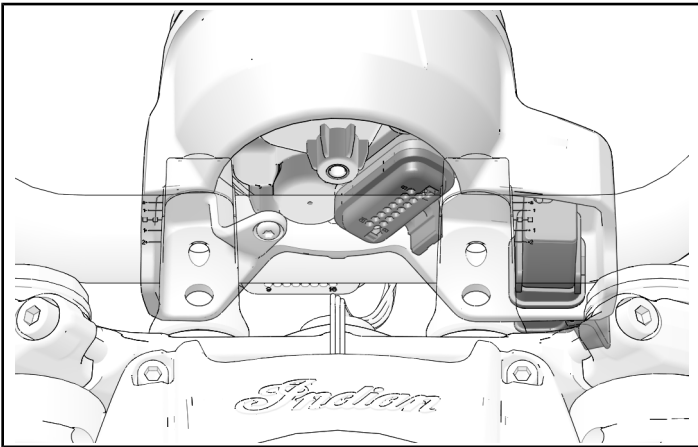
INSTRUMENT PANEL INSTALLATION

INSTRUMENT CLUSTER INSTALLATION (IF APPLICABLE)

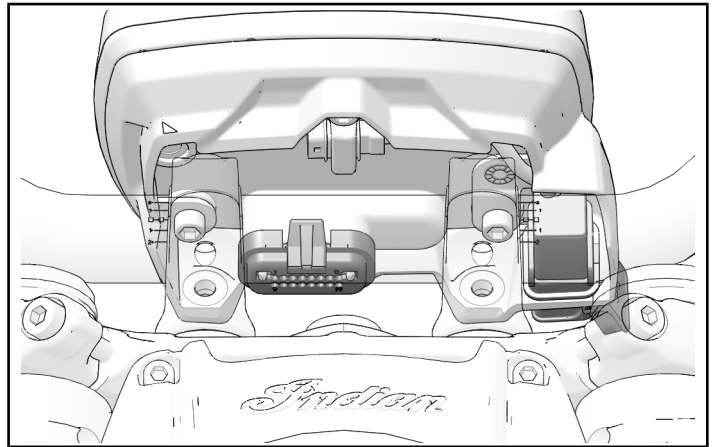
1. Pass two bushings (C) through two rubber washers (D) and place in instrument cluster assembly, as shown.



2. Connect instrument cluster to electrical chassis harness and connect two USB connectors.



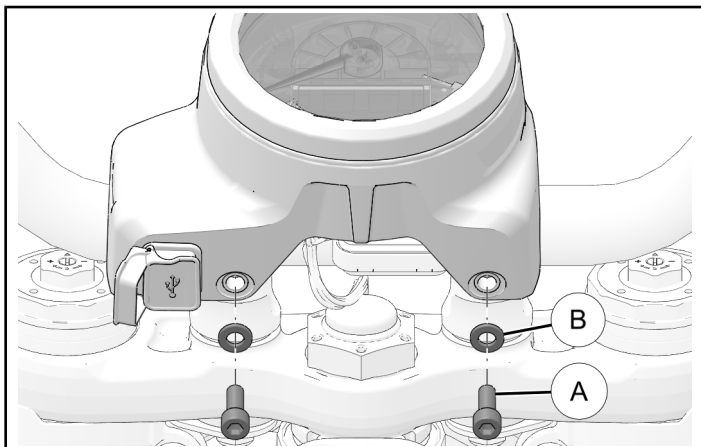
2. Connect instrument cluster to electrical chassis harness and connect two USB connectors.



3. Install instrument cluster with two retained screws (A) and two retained washers (B).

TORQUE

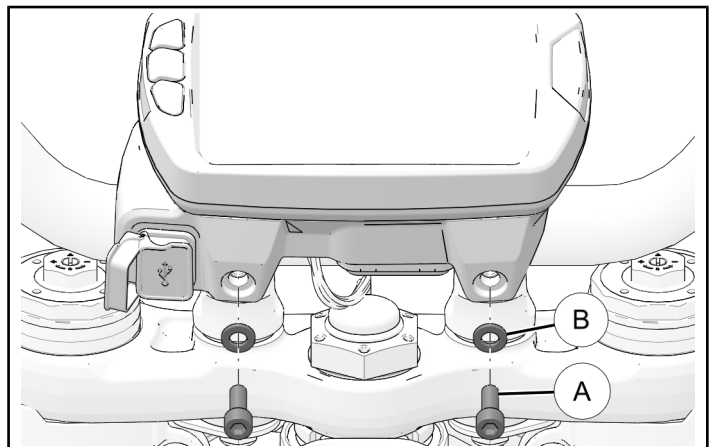
Two screws (A): 84 in. lbs. (9.5 Nm)



3. Install instrument cluster with two retained screws (A) and two retained washers (B).

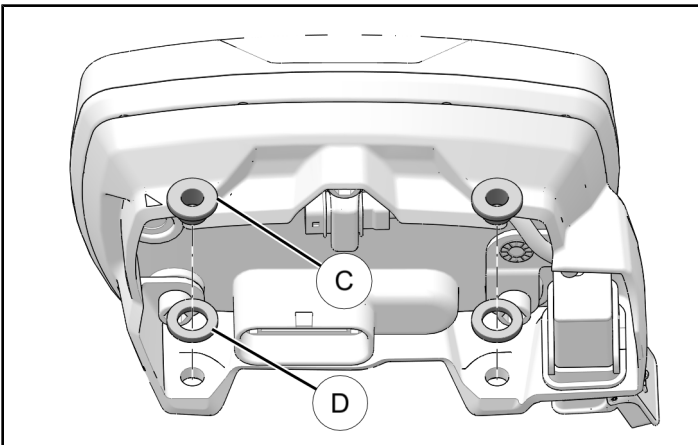
TORQUE

Two screws (A): 84 in. lbs. (9.5 Nm)



RIDE COMMAND™ INSTALLATION (IF APPLICABLE)

1. Pass two bushings (C) through two rubber washers (D) and place in Ride Command™ assembly, as shown.



FEEDBACK FORM

A feedback form has been created for the installer to provide any comments, questions or concerns about the installation instructions. The form is viewable on mobile devices by scanning the QR code or by clicking [HERE](#) if viewing on a PC.

