

SADDLEBAG KIT



P/N 2880234-XX, 2884112-XXX

BEFORE YOU BEGIN

Read these instructions and check to be sure all parts and tools are accounted for. Please retain these installation instructions for future reference and parts ordering information.

APPLICATION

Verify accessory fitment at www.indianmotorcycle.com.

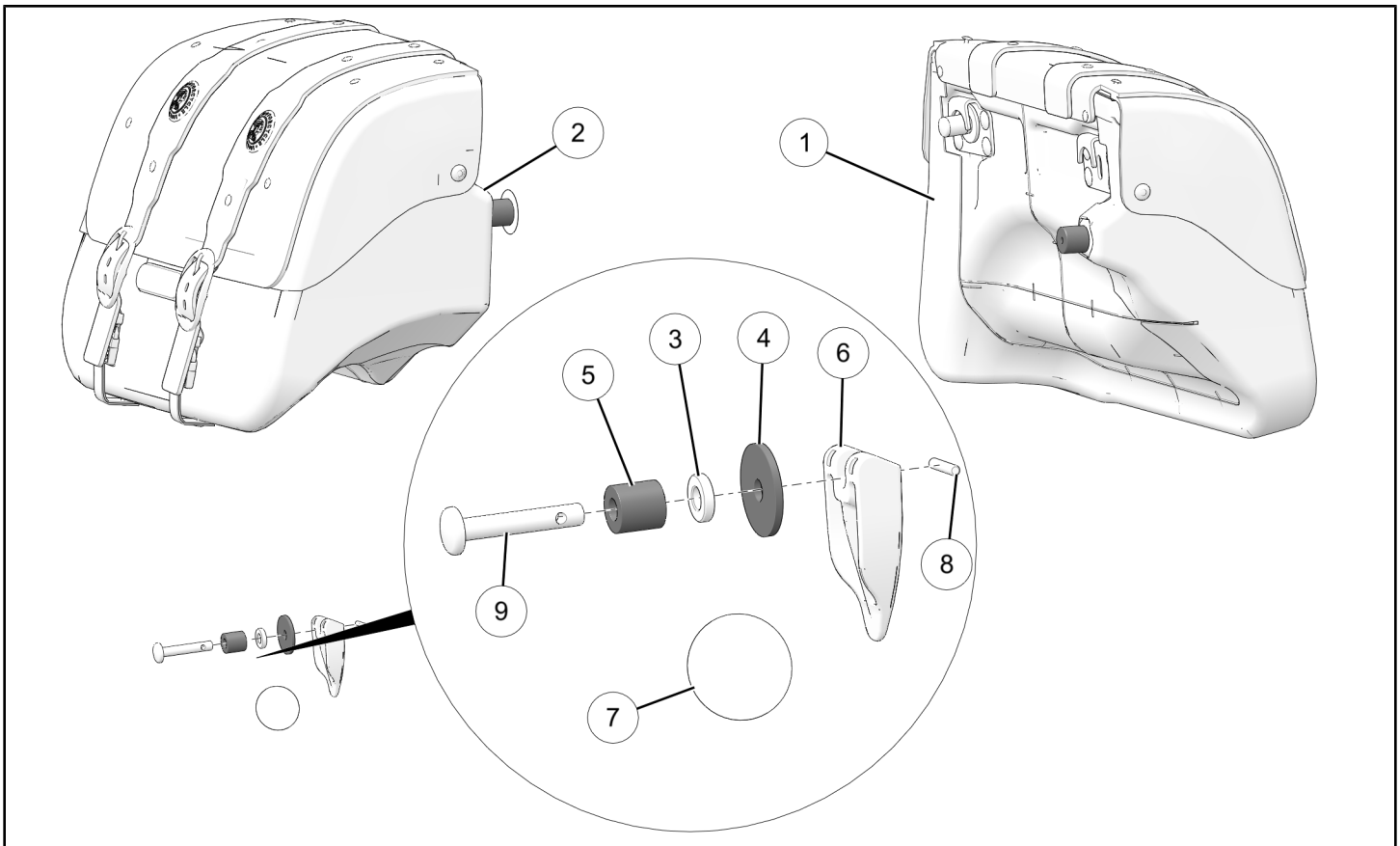
REQUIRED SOLD SEPARATELY

Only parts for installation of the Indian Motorcycle® Saddlebag Kit are included. Prior installation of the following additional kit is also required (sold separately):

- *Quick Release Accessory Mounting Spools*, P/N 2881166

KIT CONTENTS

KIT P/N 2880234-XX

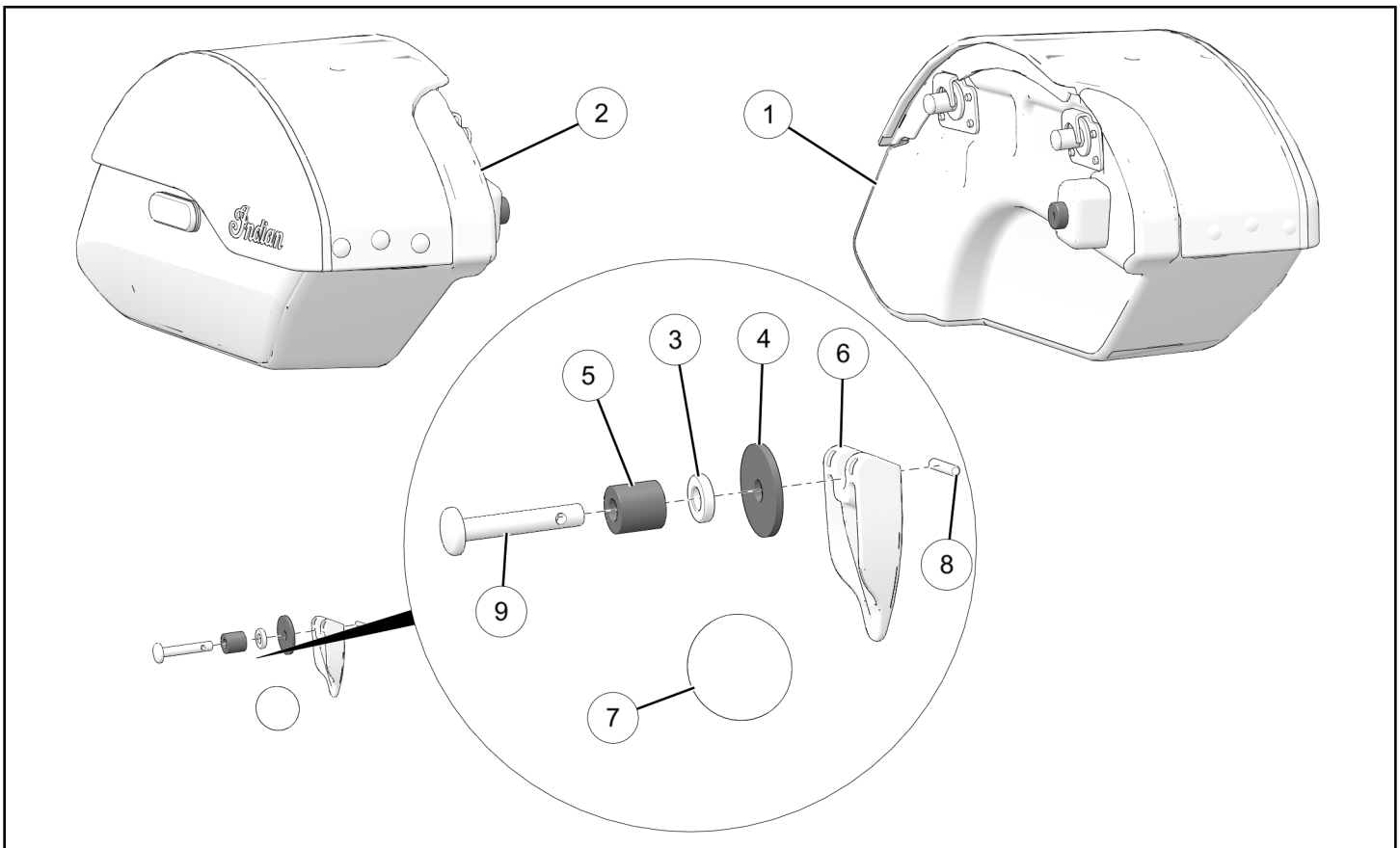


NOTICE

XX = Indian Motorcycle® color code (For example: 01 = Black)

REF	QTY	PART DESCRIPTION	P/N AVAILABLE SEPARATELY	AVAILABLE SERVICE KIT
1	1	Saddlebag, Assembly, LH	1020698-XX	n/a
2	1	Saddlebag, Assembly, RH	1020699-XX	n/a
3	4	Spacer, Latch	5138777	2206224
4	4	Washer, Rubber, 3MM X 350 X 8.6	5414770	2206224
5	4	Bushing, Rubber	5414790	2206224
6	4	Cam-Latch	5450622	2206224
7	2	Film-Protective, Rear Fender	5814001	2206224
8	4	Pin-Dowel, 5/32in X 7/8in	7661970	2206224
9	4	Pin-Anchor	7662160	2206224

KIT P/N 2884112-XXX



NOTICE

XXX = Indian Motorcycle® color code (For example: VBA = Black)

REF	QTY	PART DESCRIPTION	P/N AVAILABLE SEPARATELY	AVAILABLE SERVICE KIT
1	1	Saddlebag, Assembly, LH	1027498-XXX	n/a
2	1	Saddlebag, Assembly, RH	1027499-XXX	n/a
3	4	Spacer, Latch	5138777	2206224

REF	QTY	PART DESCRIPTION	P/N AVAILABLE SEPARATELY	AVAILABLE SERVICE KIT
4	4	Washer, Rubber, 3MM X 350 X 8.6	5414770	2206224
5	4	Bushing, Rubber	5414790	2206224
6	4	Cam-Latch	5450622	2206224
7	2	Film-Protective, Rear Fender	5814001	2206224
8	4	Pin-Dowel, 5/32in X 7/8in	7661970	2206224
9	4	Pin-Anchor	7662160	2206224

TOOLS REQUIRED

- M8 Hex Drive

CONSUMABLES REQUIRED

- Gloves, Chemical Resistant
- Solvent Wipe (99% Isopropyl Alcohol)

IMPORTANT

Your Indian Motorcycle® Saddlebag Kit is exclusively designed for your vehicle. Please read the installation instructions thoroughly before beginning. Installation is easier if the vehicle is clean and free of debris. For your safety, and to ensure a satisfactory installation, perform all installation steps correctly in the sequence shown.

INSTALLATION INSTRUCTIONS

VEHICLE PREPARATION

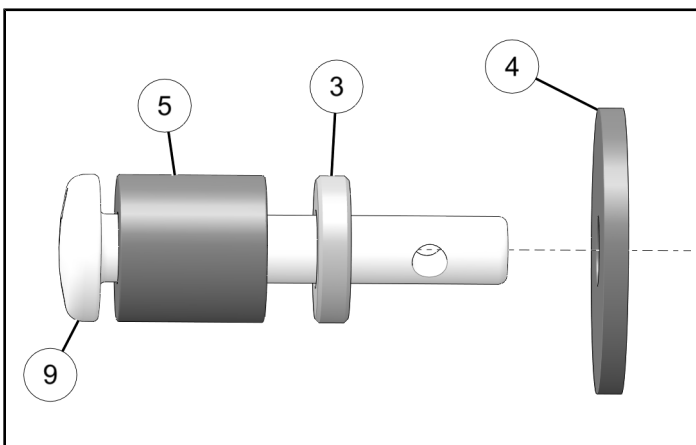
GENERAL

1. Turn key or ignition switch to **OFF** position and remove key. If equipped with keyless fob, remove fob from proximity of vehicle.
2. Park motorcycle on a flat surface, fully extend kickstand, and make sure vehicle is stable prior to installation.

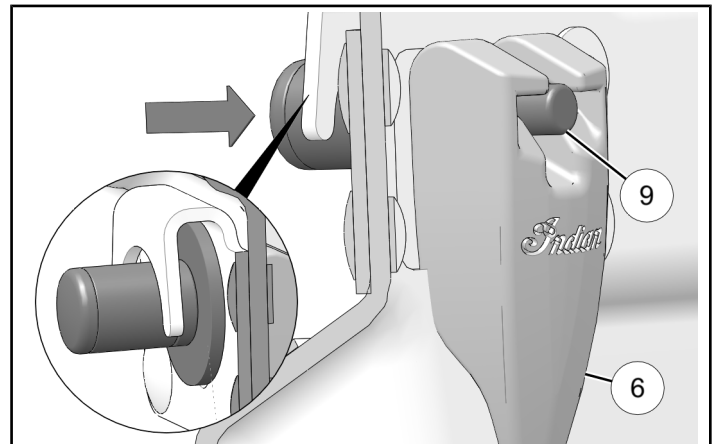
ACCESSORY INSTALLATION

ASSEMBLE SADDLEBAG (IF REQUIRED)

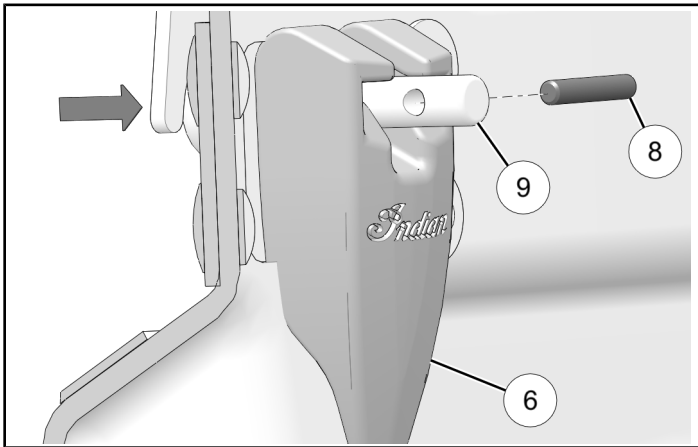
1. Install bushing ⑤, spacer ③ and rubber washer ④ onto anchor pin ⑨.



2. Insert anchor pin assembly ⑨ into mounting hole of saddlebag and slide cam latch ⑥ onto end of pin.



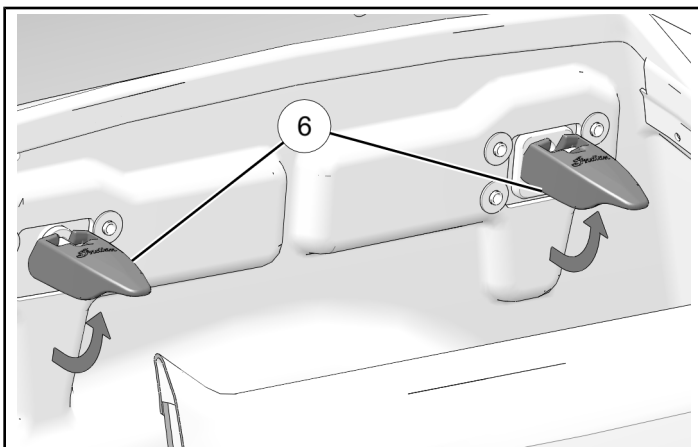
3. Hold latch ⑥ in place and compress pin ⑨ . Insert dowel pin ⑧ into hole in anchor pin ⑨ .



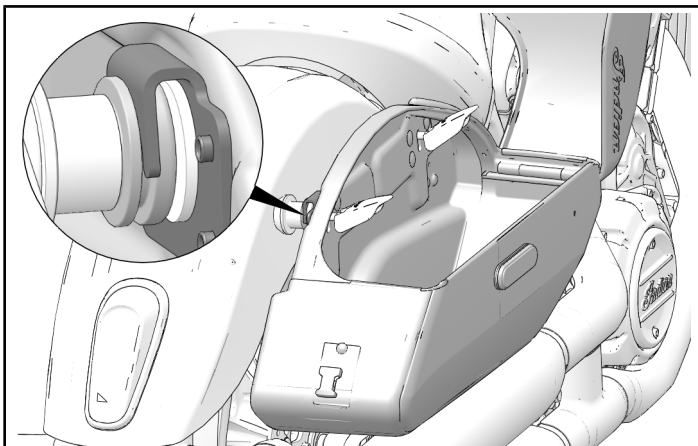
4. Repeat steps 1 through 3 for all saddlebag latches.

INSTALL SADDLEBAGS

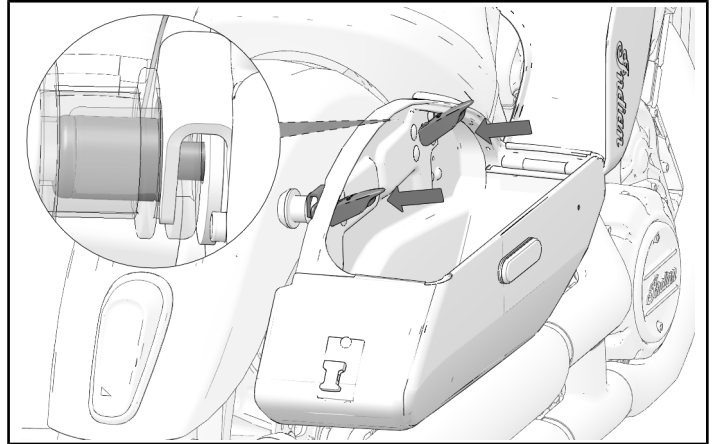
1. Open the saddlebag lid and move the two latch cams ⑥ into horizontal position as shown.



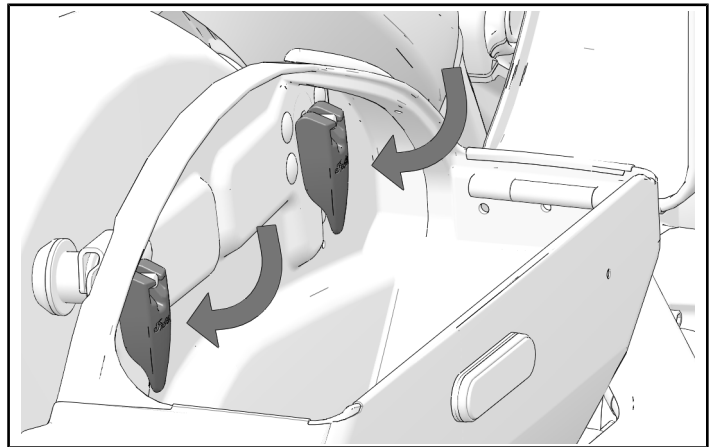
2. Hook saddlebag brackets to spools and align rubber grommets with spools as shown.



3. With the latch cams held horizontally, guide the rubber bushings into the mounting spools on the vehicle.



4. Push the latch cams downward to lock the saddlebag onto the vehicle. Resistance must be felt when locking the latch cam to ensure a secure mount.



5. Repeat installation Steps 1-4 for opposite saddlebag.

⚠ WARNING

Always verify that the saddlebag mounts are fully seated onto the spools and all latches are fully locked before you ride.

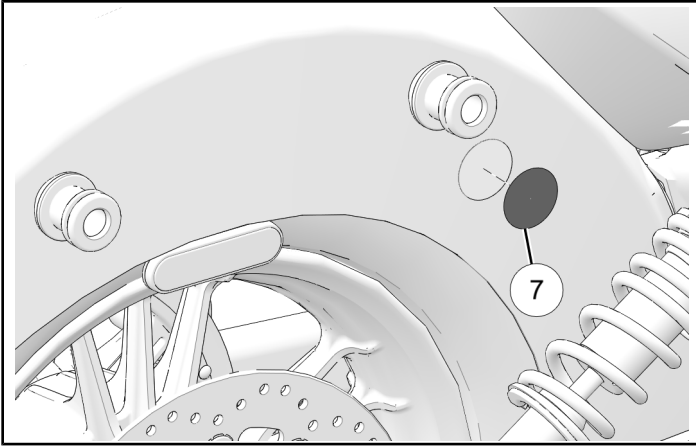
INSTALL PROTECTIVE FILM (OPTIONAL)

⚠ WARNING

Isopropyl alcohol is hazardous to your health. See isopropyl alcohol packaging for proper handling instructions, including recommended personal protective equipment such as goggles and chemical resistant gloves.

1. Clean adhesion surface with isopropyl alcohol.

2. For additional protection of painted surfaces, install provided protective film ⑦ where rubber bumpers on saddlebags contact the fender.



3. Note location of bumper, remove backing from protective film and apply film to fender. Repeat on opposite side.

CLEANING AND OPERATION

CLEANING

1. Clean bag with warm water, mild soap and soft cloth allow to air dry.

NOTE

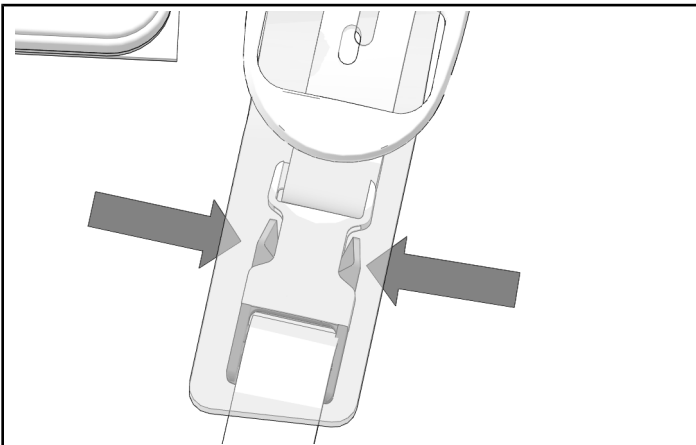
(if equipped)

Leather will lose oils and condition with time and exposure to the elements. Leather Dressing will add back many of the oils that are lost from exposure to the weather. Apply dressing with a clean dry cloth. Use generously and allow to soak in. Allow to dry overnight. Wipe off excess. Under normal conditions annual application is sufficient.

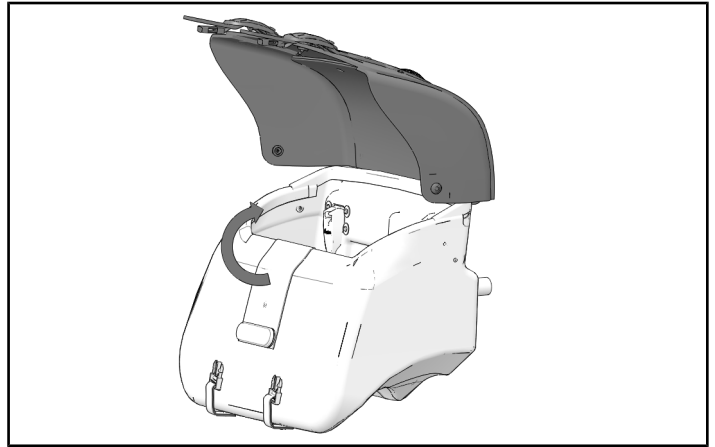
OPERATION

KIT PN 2880234

1. Open latch by depressing tabs on both sides and pulling apart.

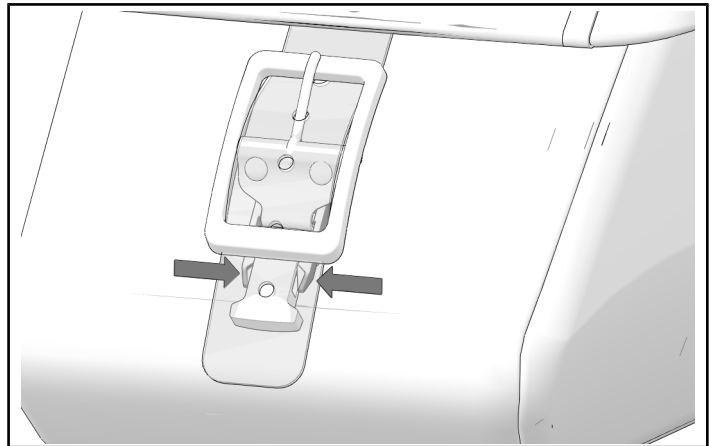


2. Saddlebag lids open from the outside, inward.

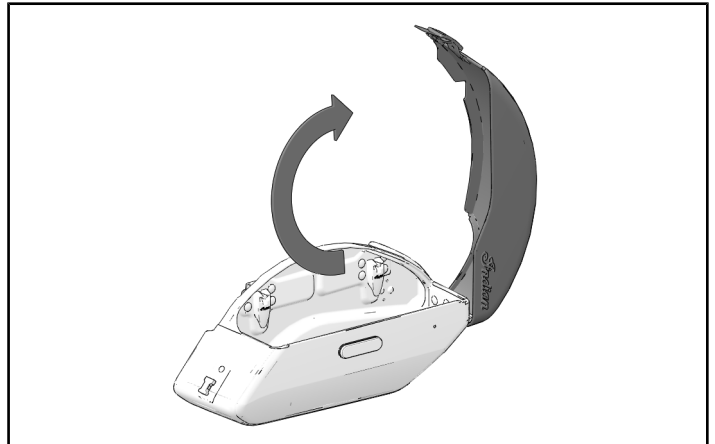


KIT PN 2884112

1. Open latch by depressing tabs on both sides and pulling apart.



2. Saddlebag lids open from the rear, forward.



INSTRUCTION FEEDBACK FORM

A feedback form has been created for the installer to provide any comments, questions or concerns about the installation instructions. The form is viewable on mobile devices by scanning the QR code or by clicking [HERE](#) if viewing on a PC.

