

SLIP-ON EXHAUST KIT



P/N 2882012-XXX, 2884110-XXX

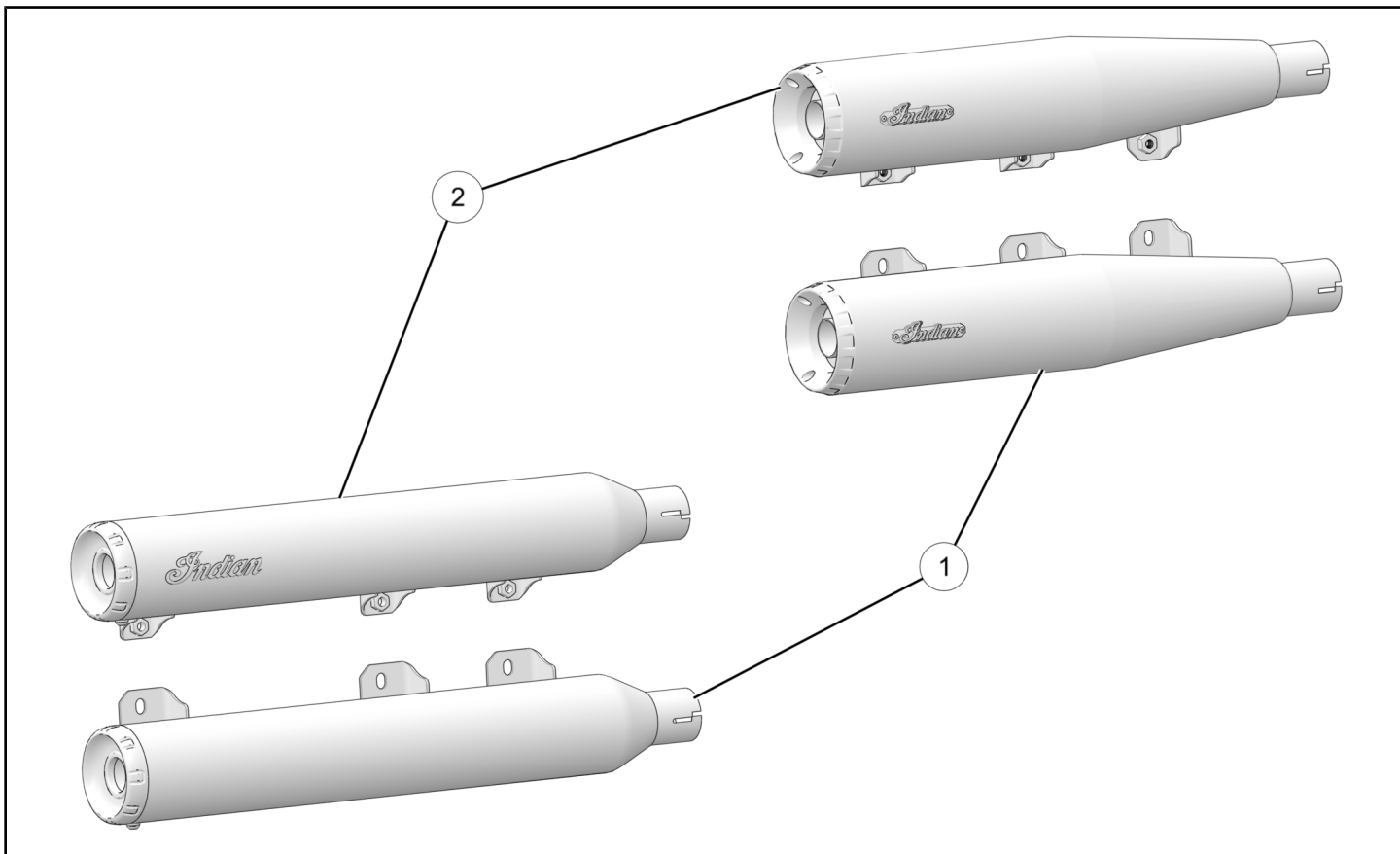
APPLICATION

Verify accessory fitment at www.indianmotorcycle.com.

BEFORE YOU BEGIN

Read these instructions and check to be sure all parts and tools are accounted for. Please retain these installation instructions for future reference and parts ordering information.

KIT CONTENTS



REF	QTY	PART DESCRIPTION	PART NUMBER
1	1	Slip-on Muffler, Lower	-
2	1	Slip-on Muffler, Upper	-
3	1	Calibration Card (Not Shown)	4014490

TOOLS REQUIRED

- Safety Glasses
- Digital Wrench™
- Hammer, Soft Face
- Platform Jack, Motorcycle
- Socket Set, Hex Bit, Metric
- Socket Set, Metric
- Torque Wrench

IMPORTANT

Your Indian Motorcycle® Slip-On Exhaust Kit is exclusively designed for your vehicle. Please read the installation instructions thoroughly before beginning. Installation is easier if the vehicle is clean and free of debris. For your safety, and to ensure a satisfactory installation, perform all installation steps correctly in the sequence shown.

INSTALLATION INSTRUCTIONS

VEHICLE PREPARATION

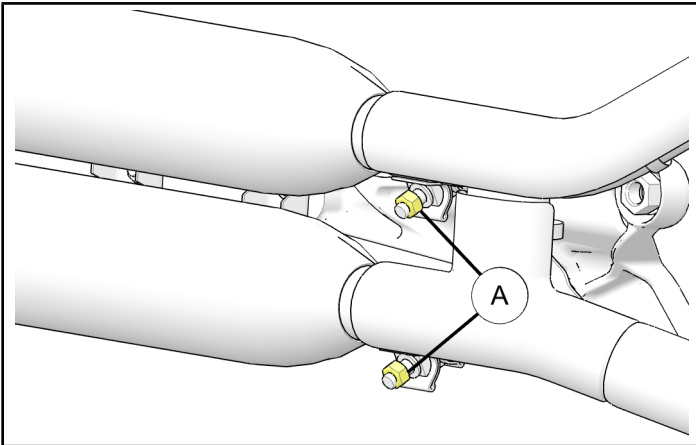
1. Ensure motorcycle is parked on a flat surface and vehicle is stable prior to installation.
2. Ensure exhaust is cooled before beginning.

REMOVAL

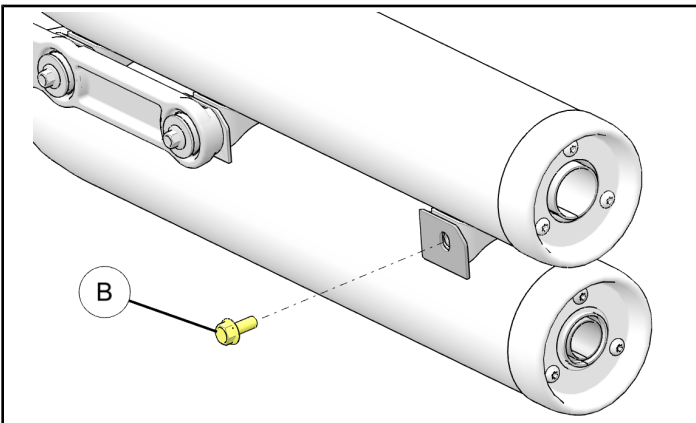
1. Remove RH saddlebag if equipped.
2. Loosen nuts **A** on muffler clamps at front of each muffler until clamps slide freely.

NOTE

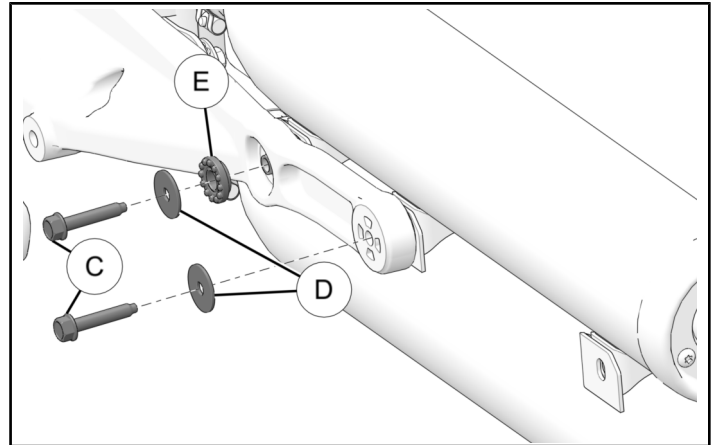
Make note of clamp orientation for reinstallation.



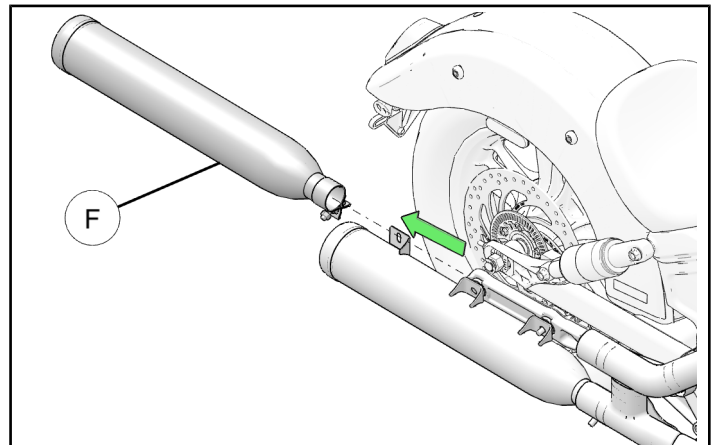
3. Remove and retain bolt **B** at rear of exhaust assembly connecting upper and lower mufflers together.



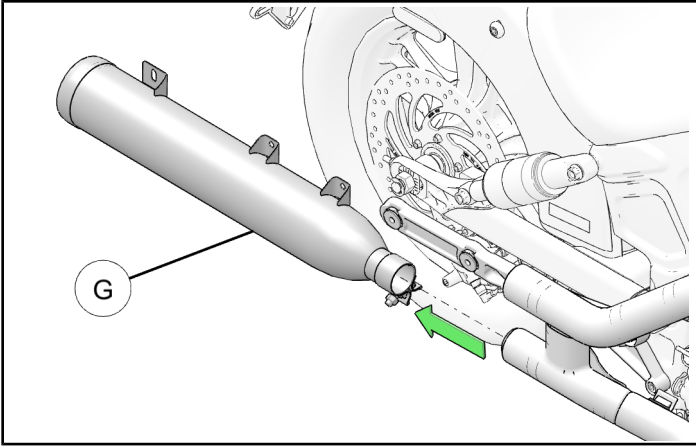
4. Remove and retain two bolts **C**, washers **D** (if installed) and exhaust isolators **E** (if installed) connecting upper muffler to exhaust mount.



5. Remove upper muffler **F** by gently moving muffler up and down and side to side while sliding muffler assembly rearward.

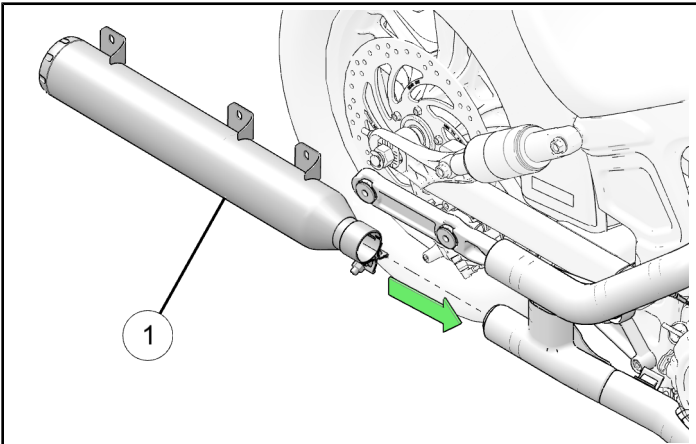


6. Remove lower muffler ⑥ by gently moving muffler up and down and side to side while sliding muffler assembly rearward.

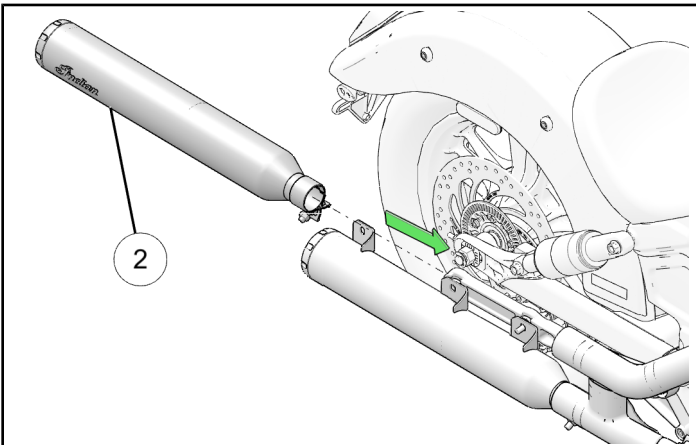


INSTALLATION

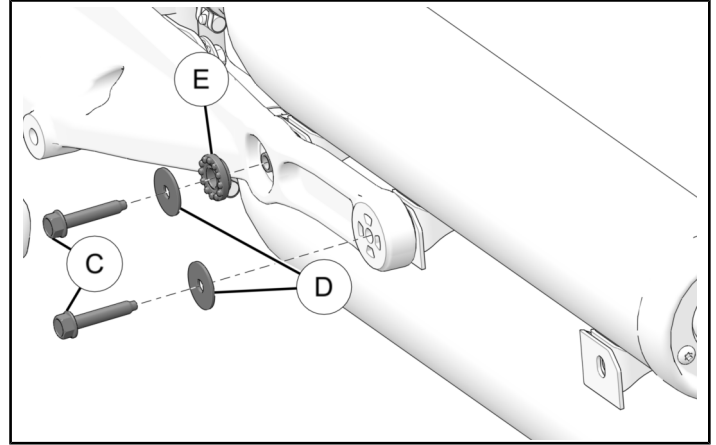
1. Transfer both exhaust clamps from stock mufflers to new mufflers.
2. Slide lower muffler ① onto rear head pipe assembly while loosely re-installing muffler clamp.



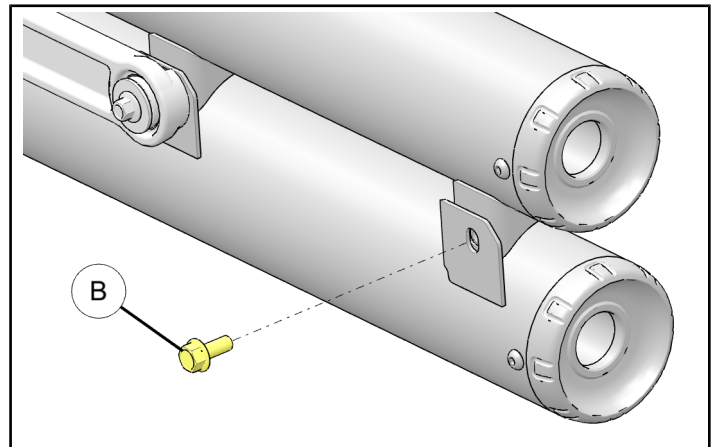
3. Slide upper muffler ② onto rear head pipe assembly while loosely re-installing muffler clamp.



4. Loosely install retained bolts ③, washers ④ and exhaust isolators ⑤ into recess in exhaust mount and loosely install bolt ③ to secure lower muffler ① to exhaust mount. **DO NOT torque fasteners at this time.**



5. Loosely install bolt ⑥ to secure upper and lower mufflers together. **DO NOT torque fasteners at this time.**



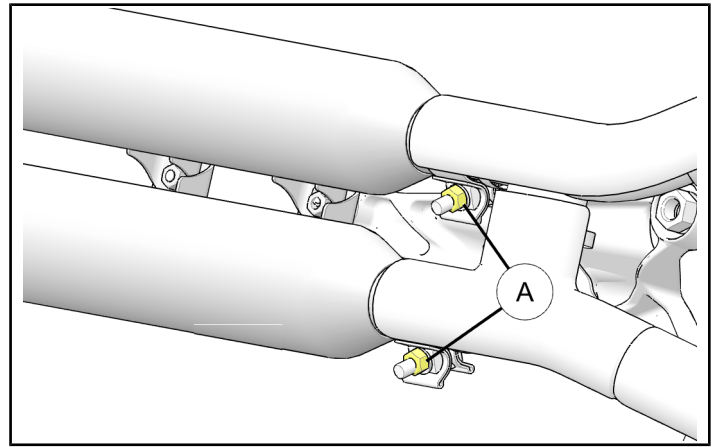
6. Ensure mufflers are properly aligned, torque bolts **Ⓑ** and **Ⓒ**. Then torque nuts **Ⓐ** on muffler clamps. Ensure clamp orientation is correct.

TORQUE

Muffler Mount Bolts **Ⓑ** and **Ⓒ**:
19 ft-lbs (25 N·m)

TORQUE

Nuts **Ⓐ** on muffler clamps:
40 ft-lbs (54 N·m)



IMPORTANT

Update ECM with new calibration software using Calibration Card included in kit. This step must be completed by an **Authorized Indian Dealer**. Do not operate vehicle until re-calibration of vehicle is complete.

7. Reinstall RH saddlebag (if removed).

FEEDBACK FORM

A feedback form has been created for the installer to provide any comments, questions or concerns about the installation instructions. The form is viewable on mobile devices by scanning the QR code or by clicking [HERE](#) if viewing on a PC.

