

# ACCESSORY HANDLEBAR BRAKE AND CLUTCH LINE KIT (NON-ABS MODELS)



**P/N 2883406**

## APPLICATION

Verify accessory fitment at [www.indianmotorcycle.com](http://www.indianmotorcycle.com).

### NOTE

This Kit is required when installing any accessory handlebar kit to an Indian® Scout® Bobber.

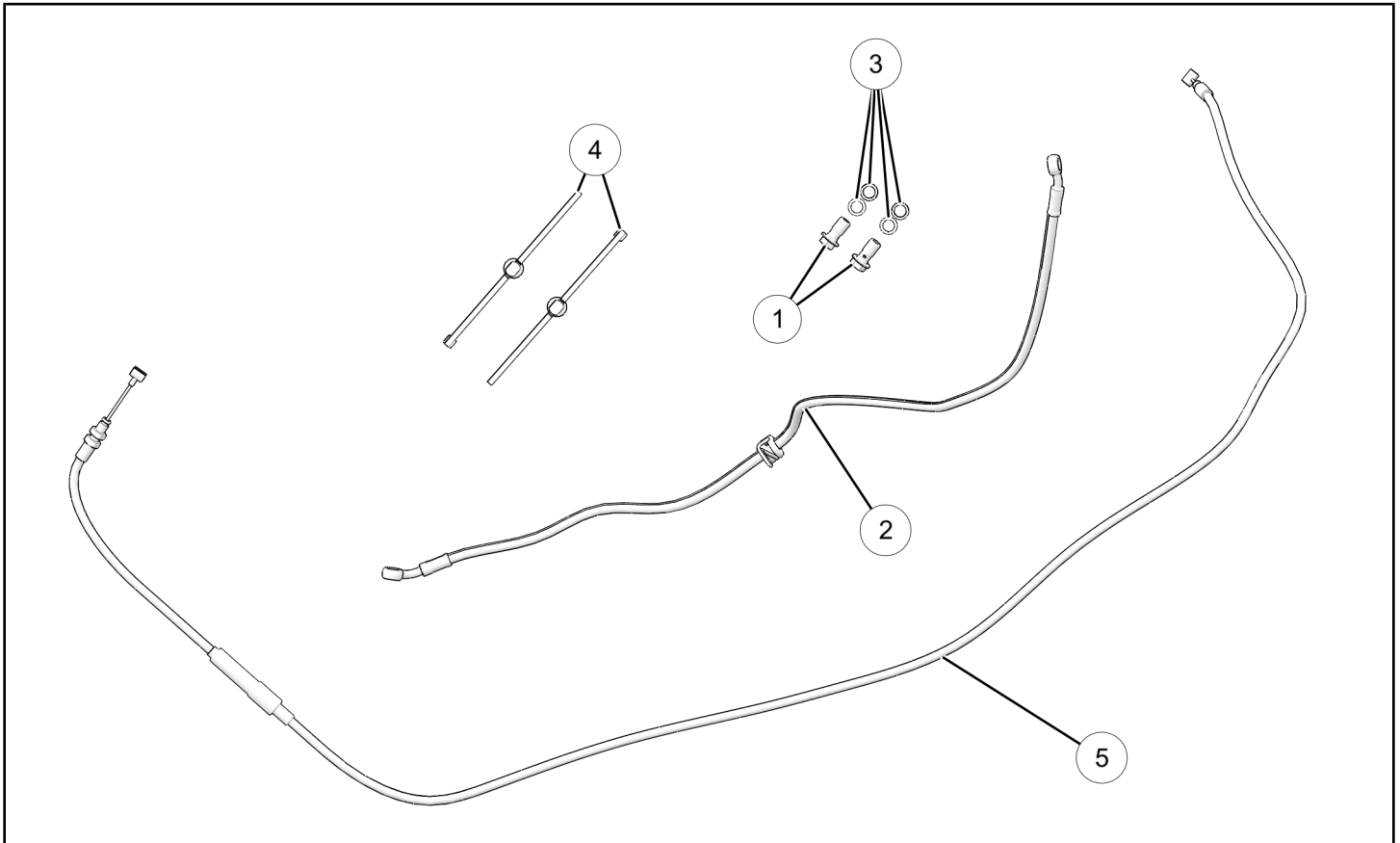
## BEFORE YOU BEGIN

Read these instructions and check to be sure all parts and tools are accounted for. Please retain these installation instructions for future reference and parts ordering information.

## KIT CONTENTS

This kit contains parts for installation of the Extended Brake and Clutch Lines only. Prior installation of an accessory handlebar kit is also required (sold separately).

This Kit includes:



REF	QTY	PART DESCRIPTION	PART NUMBER
1	2	Bolt, Banjo, 10 mm X 1.25	1910958
2	1	Brake Line, Front, SS, Offset	1912666
3	4	Washer, Copper, M10	1912829
4	2	Clip, Routing	7081496

REF	QTY	PART DESCRIPTION	PART NUMBER
5	1	Cable, Clutch, 8mm, 17mm Adj.	7082203
	1	Instructions	9928562

## TOOLS REQUIRED

- Safety Glasses
- Camera, Digital (Optional)
- Pliers, Side Cutting
- Socket Set, Metric
- Torque Wrench
- Wrench, Adjustable
- Wrench Set, Metric

## CONSUMABLES REQUIRED

- Grease, Polaris All Season (or equivalent)
- Brake Fluid, DOT 4

## IMPORTANT

Your Indian Accessory Handlebar Brake and Clutch Line Kit (Non-ABS Models) is exclusively designed for your vehicle. Please read the installation instructions thoroughly before beginning. Installation is easier if the vehicle is clean and free of debris. For your safety, and to ensure a satisfactory installation, perform all installation steps correctly in the sequence shown.

## ASSEMBLY TIME

Approximately 90 minutes

## INSTALLATION INSTRUCTIONS

### NOTE

This kit is to be installed in conjunction with accessory handlebar kits.

## VEHICLE PREPARATION

1. Turn key or ignition switch to "OFF" position and remove key. If equipped with keyless fob, remove fob from proximity of vehicle.
2. Ensure motorcycle is parked on a flat surface, kickstand is fully extended, and vehicle is stable prior to installation.
3. Make note of brake and clutch line routing, locations of cable ties, and orientation of clips.

### TIP

Use a digital camera to document routing.

4. Handlebars should be installed on motorcycle before continuing.

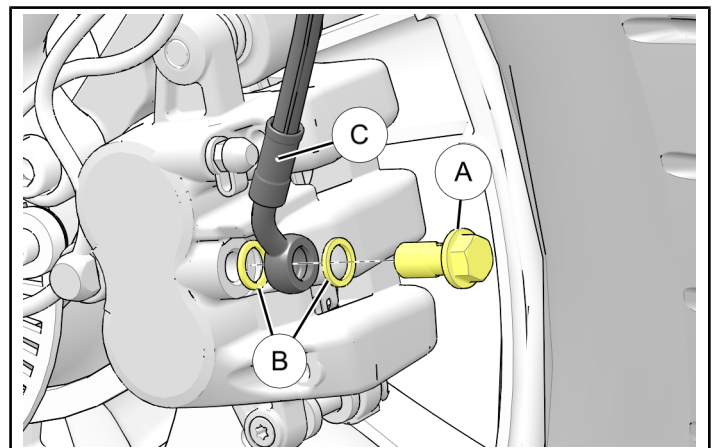
## BRAKE LINE

### Brake Line Removal

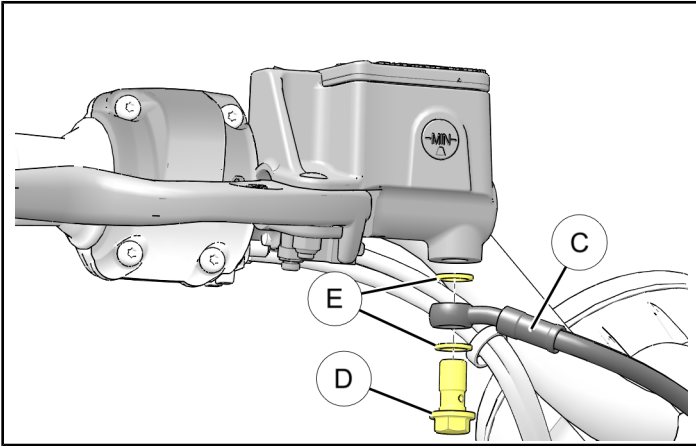
### CAUTION

Brake fluid is toxic and combustible. Protect all motorcycle surfaces from brake fluid to prevent damage.

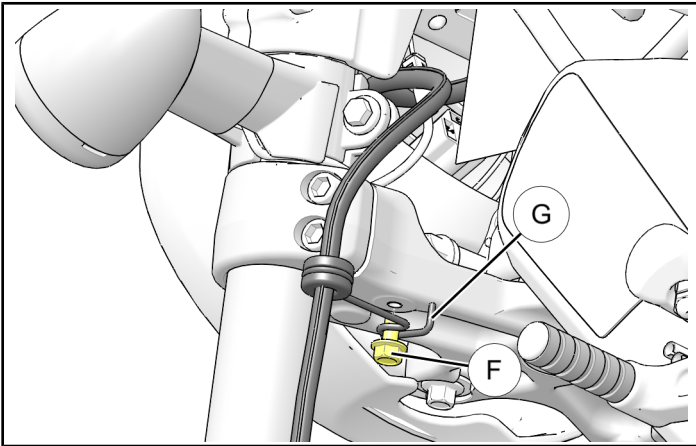
1. Remove and discard banjo bolt (A) and two seals (B) from lower end of front brake line (C). Collect and discard brake fluid from line.



- Remove and discard banjo bolt ① and two seals ② from upper end of front brake line ③.

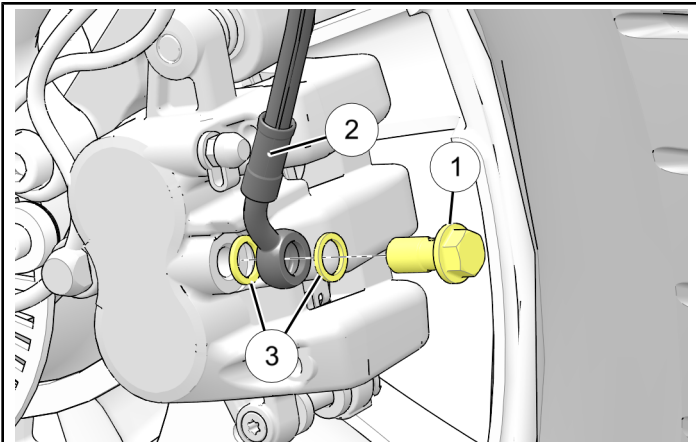


- Loosen screw ④ to remove wire bracket ⑤ and remove front brake line and discard.

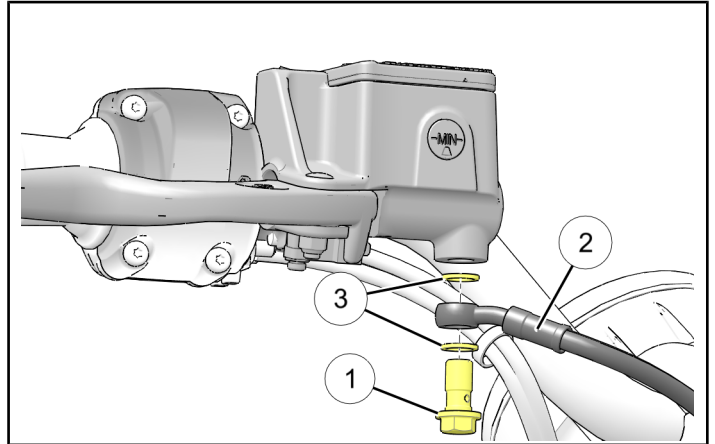


### Brake Line Installation

- Route new brake line along same route as stock brake line.
- Install new front brake hose end ② to front brake caliper using one new banjo bolt ① and two new seals ③. **Do not torque banjo bolt at this time.**



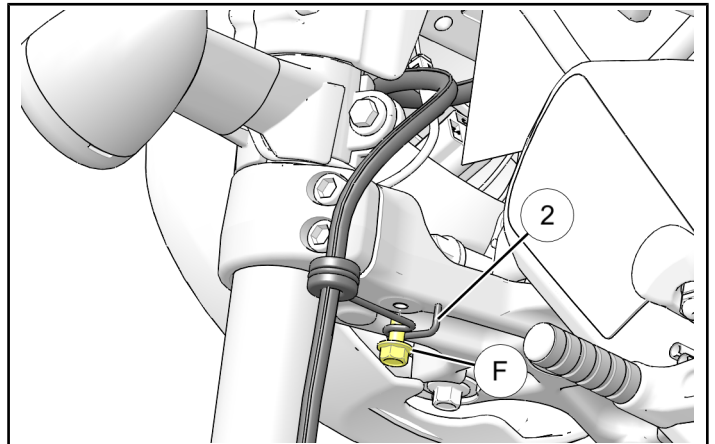
- Install new front brake hose end ② to front brake lever using one new banjo bolt ① and two new seals ③. **Do not torque banjo bolt at this time.**



- Install wire bracket for new brake line ④ onto loosened bolt ④. Adjust brake line to original location and torque screw ④ to specification.

### TORQUE

84 in. lbs. (10 Nm)



- Ensure brake lines are routed properly and torque new banjo bolts ① to specification.

### TORQUE

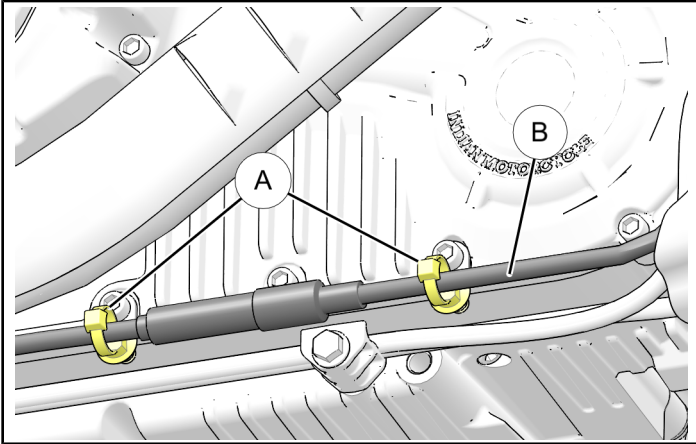
18 ft. lbs. (24 Nm)

- Bleed brake line as per service manual.

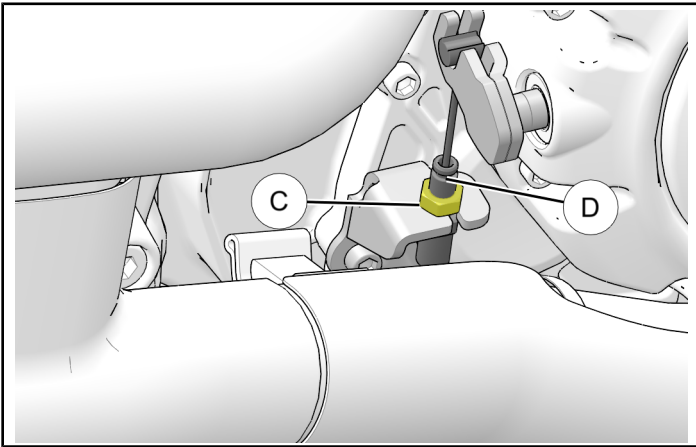
## CLUTCH CABLE

### Clutch Cable Removal

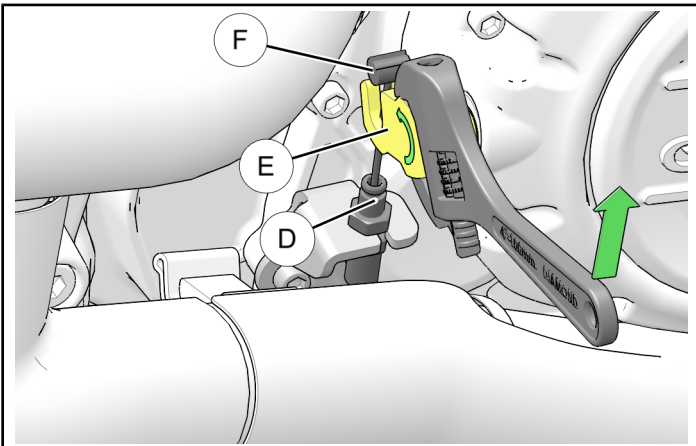
1. Note location and remove and discard two cable ties (A) from clutch cable (B).



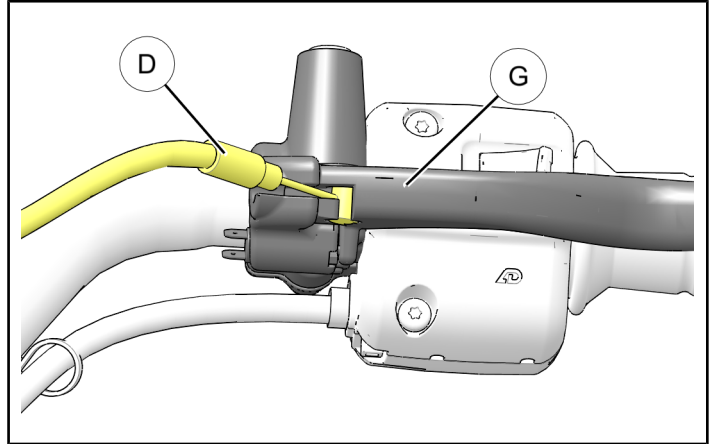
2. Loosen nut (C) completely from clutch cable sleeve and slide up.



3. Using a wrench, turn clutch arm (E) to release tension on cable (D). Remove cable end (F) from clutch arm. Remove clutch cable (D) from bracket.



4. Free clutch cable (D) from motorcycle up to clutch handle (G) and remove stock clutch cable and discard.

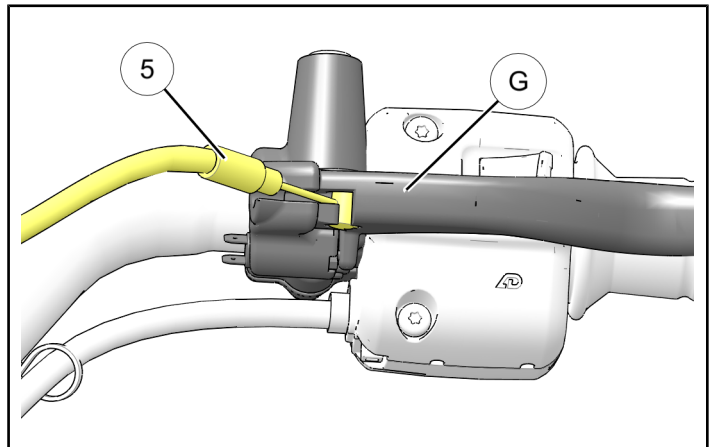


### Clutch Cable Installation

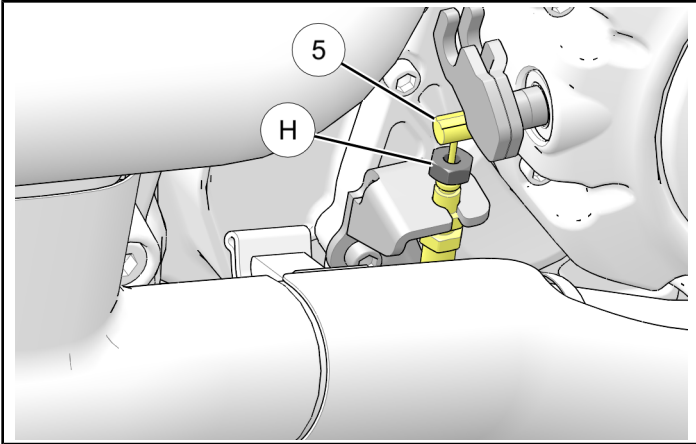
#### CAUTION

Do not kink, bend, or twist inner or out cable casing during installation or clutch may bind.

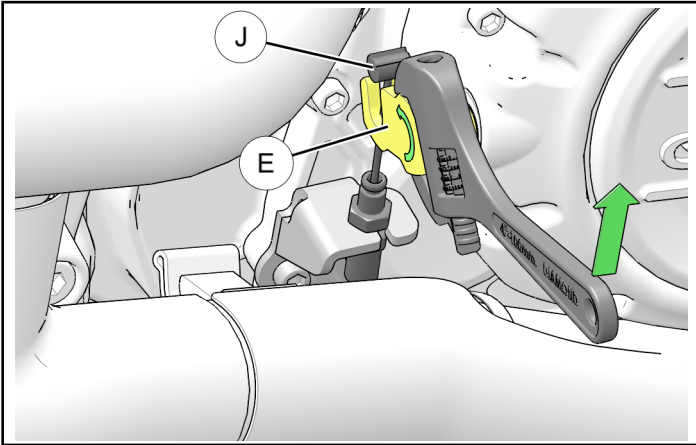
1. Route clutch cable in same manner as removal.
2. Apply multi-purpose grease to lever end of new clutch cable (5) and install into clutch lever (6) at handlebar.



- Loosen jam nut (H) on new clutch cable (5), apply multi-purpose grease to cable and install cable end into mounting bracket.



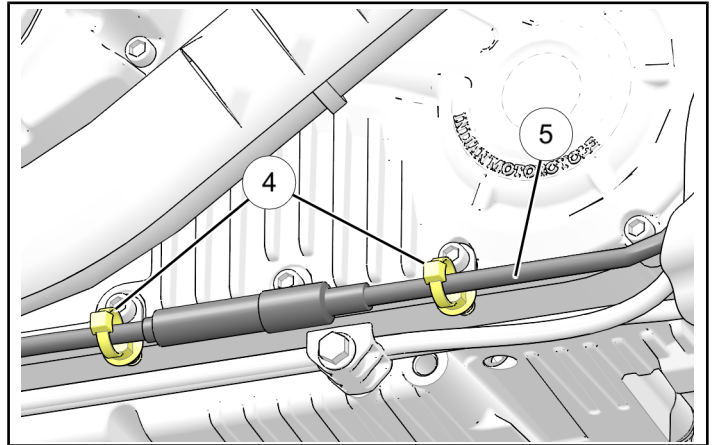
- Loosely thread jam nut onto cable to hold in place.
- Using a wrench, turn clutch arm (E) to release tension and install cable end (J) into clutch arm.



## FEEDBACK FORM

A feedback form has been created for the installer to provide any comments, questions or concerns about the installation instructions. The form is viewable on mobile devices by scanning the QR code or by clicking [HERE](#) if viewing on a PC.

- Install two new cable ties (4) onto clutch cable (5) and attach to motorcycle.



- Adjust clutch lever free play as per service manual.

## REASSEMBLY

- Reassemble motorcycle, and complete handlebar installation instructions.

## FEEDBACK FORM

