

# TRUNK MIRROR KIT



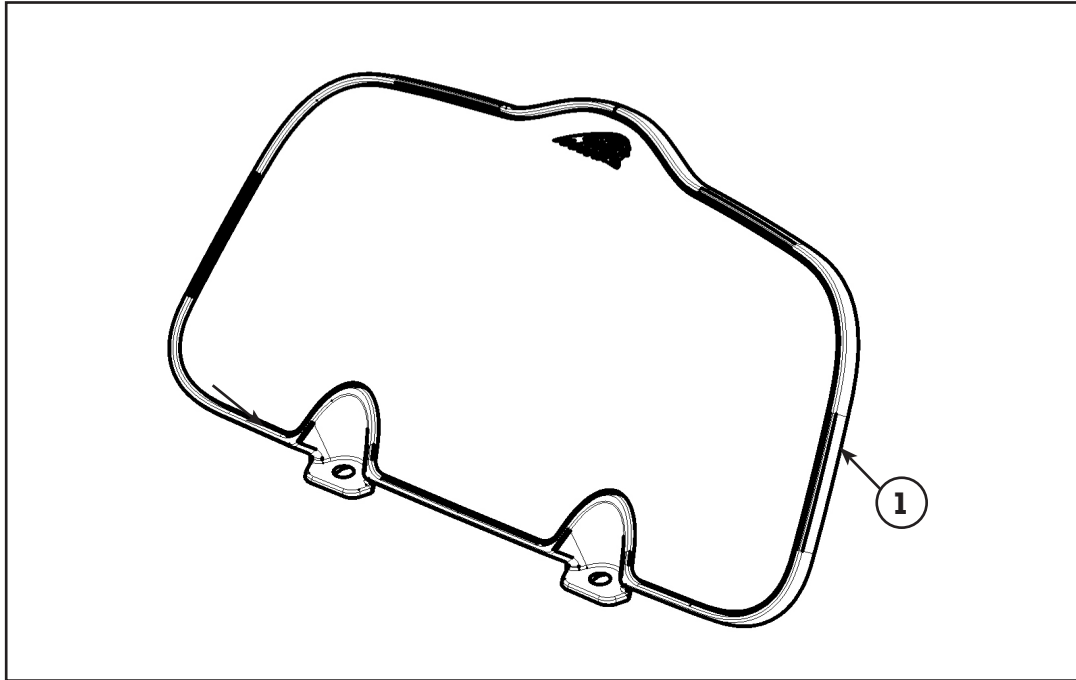
**P/N 2880066**

## APPLICATION

ALL INDIAN MOTORCYCLES WITH ROADMASTER TRUNK

## BEFORE YOU BEGIN

Read these instructions and check to be sure all parts and tools are accounted for in package. Please retain these installation instructions for future reference and parts ordering information.



## KIT CONTENTS

Ref	Qty	Part Description	Part Number
1	1	Trunk Mirror	2635641
	1	Instructions	9924958

## TOOLS NEEDED

6 mm Long-Ball-End Hex Socket      Torque Wrench

## APPROXIMATE ASSEMBLY TIME

5 min

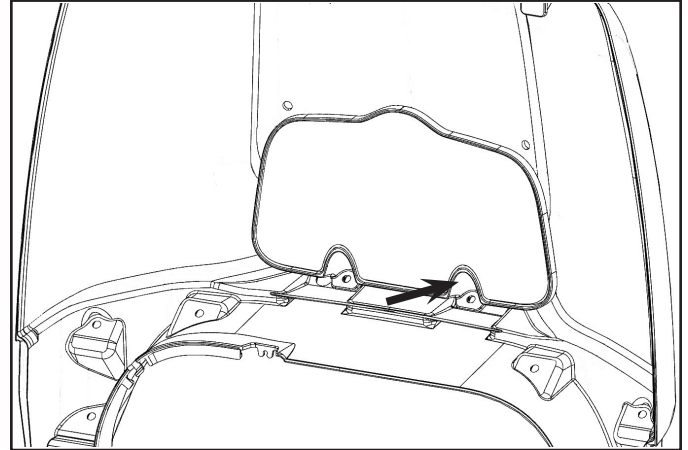
## IMPORTANT

Your Polaris TRUNK MIRROR KIT is exclusively designed for your vehicle. Please read the installation instructions thoroughly before beginning. Installation is easier if the vehicle is clean and free of debris. For your safety, and to ensure a satisfactory installation, perform all installation steps correctly in the sequence shown.

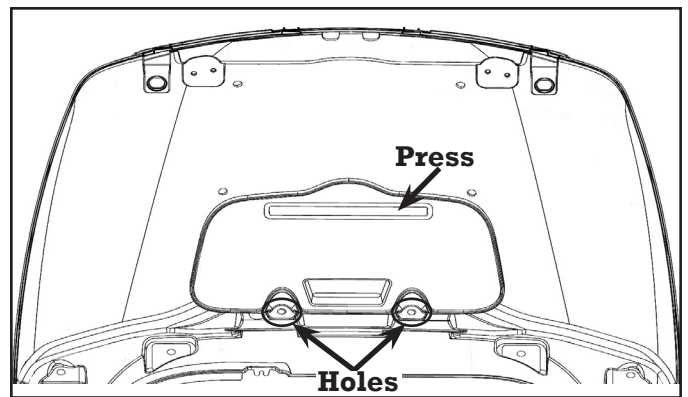
## INSTALLATION INSTRUCTIONS

**NOTE:** Ensure inside of trunk lid is clean and dry before installing this mirror. Rubbing alcohol or an alcohol based glass cleaner can be used to clean the surface where the two sided tape will attach to the lid.

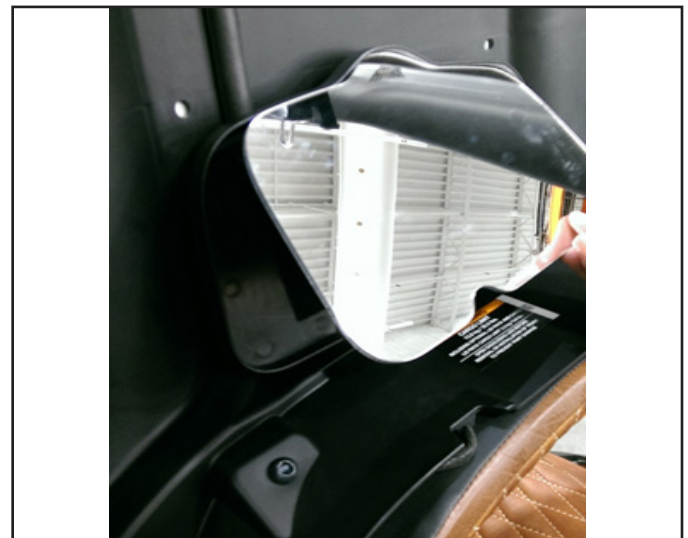
1. Open the trunk lid.
2. Remove the upper two screws holding the passenger upper back rest pad in place, and set aside (they will be reused).
3. Pull the reflective polycarbonate insert out of the base by the finger cut outs at the bottom (it is held in place by two hook and loop strips). See Figure. Take care to not scratch the coating on the back of the insert.



4. Remove the film from the strip of two-sided tape on the back of the mirror base.
5. Set the mirror base into the trunk lid, lining up the holes (See Figure) at the bottom of the mirror base with the holes for the passenger upper back rest pad screws.
6. Insert the screws from step 2, and finger tighten both of them.
7. Tighten screws from step 6 to 36 in-lbs (4.1 Nm).



8. Push the top of the mirror base firmly against the lid and hold for 30 seconds to adhere the two sided tape to the trunk lid.
9. Remove the protective film from the reflective insert.
10. Insert the reflective insert into the mirror base. For best results, start by lining up the area with the headrest logo and then rotate the reflective insert down into place.



11. Push the reflective insert firmly into place to engage the hook and loop strips.

**NOTE:** The reflective insert is attached by hook & loop strips so that it can be repeatedly installed and removed to allow access to the fasteners holding the passenger upper back pad in place. This facilitates removing the back pad for leather treatment and general cleaning.