

# PINNACLE MIRROR KIT



P/N 2880132-XXX

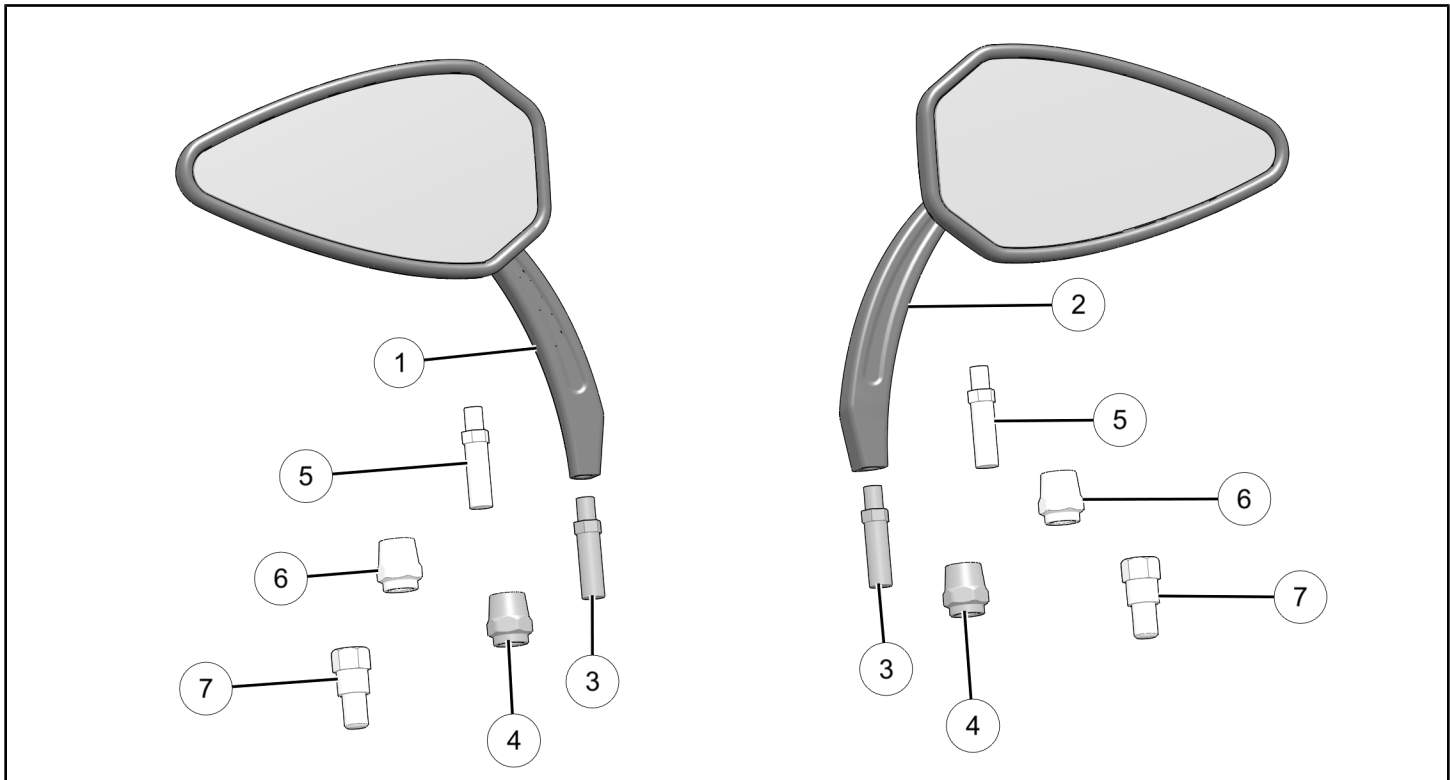
## APPLICATION

Verify accessory fitment at [www.indianmotorcycle.com](http://www.indianmotorcycle.com).

## BEFORE YOU BEGIN

Read these instructions and check to be sure all parts and tools are accounted for. Please retain these installation instructions for future reference and parts ordering information.

## KIT CONTENTS



REF	QTY	PART DESCRIPTION	P/N AVAILABLE SEPARATELY
1	1	Mirror, Indian, International, Left Hand	N/A
2	1	Mirror, Indian, International, Right Hand	N/A
3	2	Stud, Tap End, U.S./Canada	N/A
4	2	Locking Nut, Mirror, U.S./Canada	N/A
5	2	Stud, Tap End, International (EU)	N/A
6	2	Locking Nut, Mirror, LH Thread, International (EU)	N/A
7	2	Nut, Mirror, Post, International (EU)	N/A

## TOOLS REQUIRED

- Safety Glasses
- Torque Wrench
- Socket Set, Hex Bit, Metric
- Wrench Set, Crowfoot, Metric
- Wrench Set, Open End
- Vice, Bench

## IMPORTANT

Your Indian Motorcycle® Pinnacle Mirror Kit is exclusively designed for your vehicle. Please read the installation instructions thoroughly before beginning. Installation is easier if the vehicle is clean and free of debris. For your safety, and to ensure a satisfactory installation, perform all installation steps correctly in the sequence shown.

## INSTALLATION INSTRUCTIONS

### VEHICLE PREPARATION

#### GENERAL

1. Turn key or ignition switch to **OFF** position and remove key. If equipped with keyless fob, remove fob from proximity of vehicle.
2. Ensure motorcycle is parked on a flat surface, kickstand is fully extended, and vehicle is stable prior to installation.

#### NOTE

International mirror installations require use of left hand threaded mirror stems to allow them to rotate in the event of a contacting blow. This kit includes international installation hardware for Economic Commission for Europe (ECE) regulated regions.

#### CAUTION

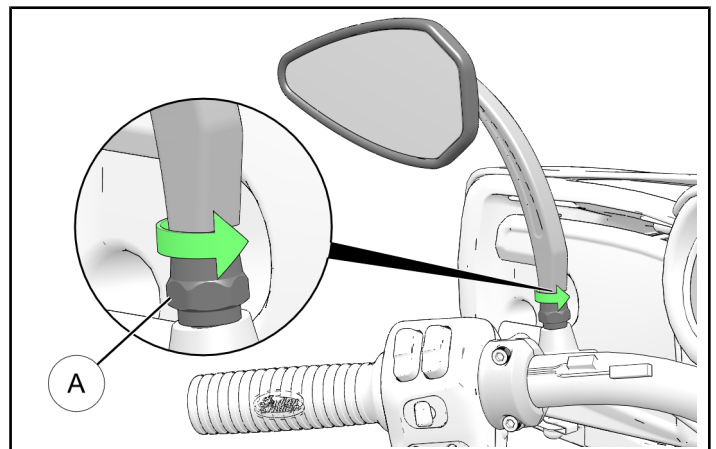
Protect surfaces with protective cloth during installations.

#### IMPORTANT

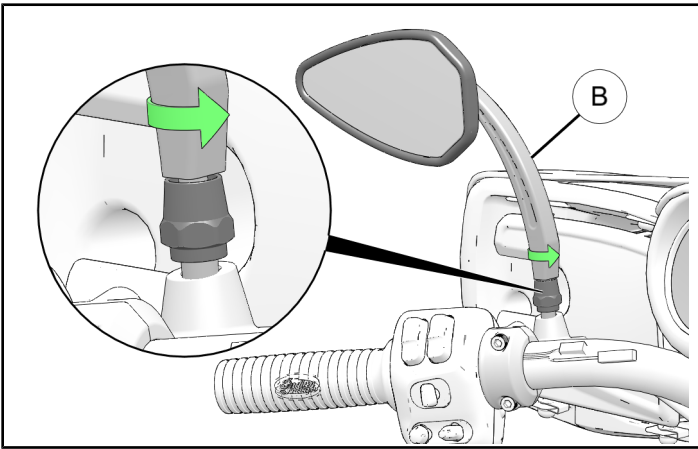
If windshield is installed, lower windshield to lowest position.

### MIRROR REMOVAL

1. If mirrors are currently installed, loosen each locking nut (A).

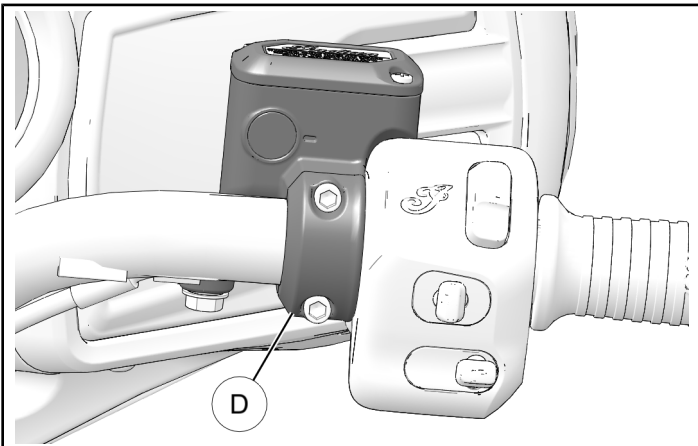
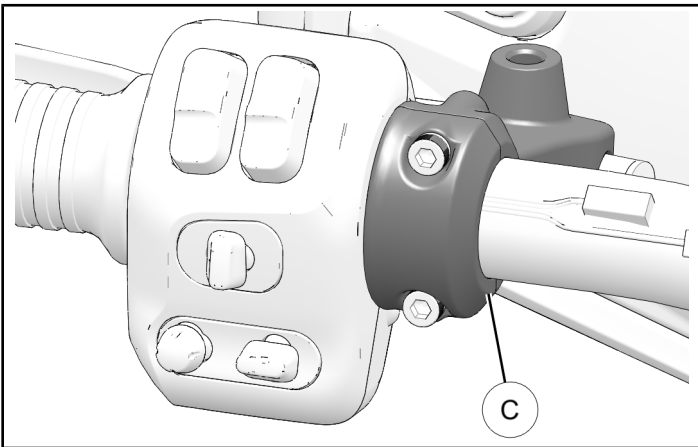


2. Rotate each stem **B** by hand to remove mirror.



**TIP**

Loosen clutch lever assembly **C** and hand brake assembly **D** for improved accessibility to mirror mounting locations.



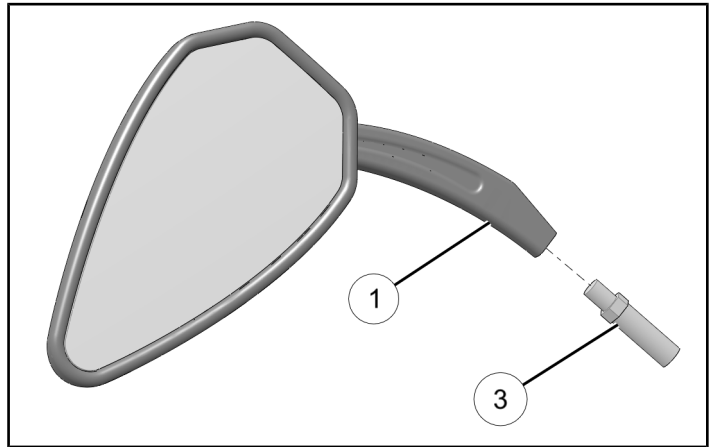
**ACCESSORY INSTALLATION**

**U.S./CANADA MOUNTING INSTRUCTIONS-LEFT HAND**

**NOTICE**

U.S./Canada hardware and International hardware are **NOT** interchangeable.

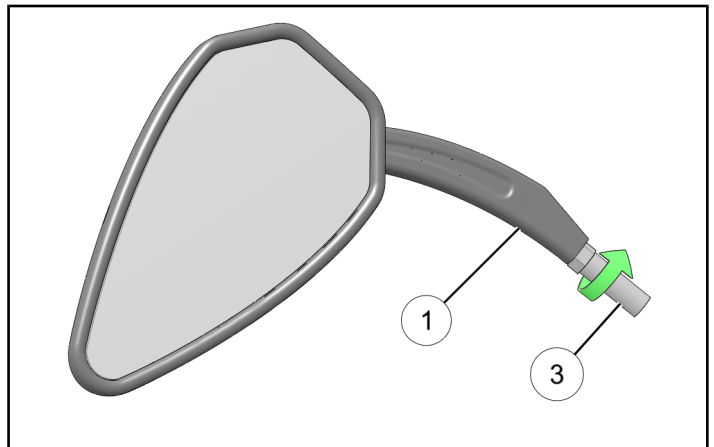
1. Thread patch lock end of mirror stud **3** into mirror stem **1**.



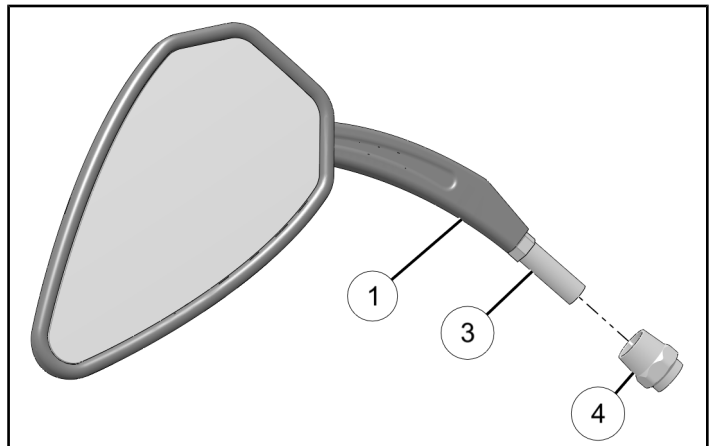
2. Torque mirror stud **3** to specification.

**TORQUE**

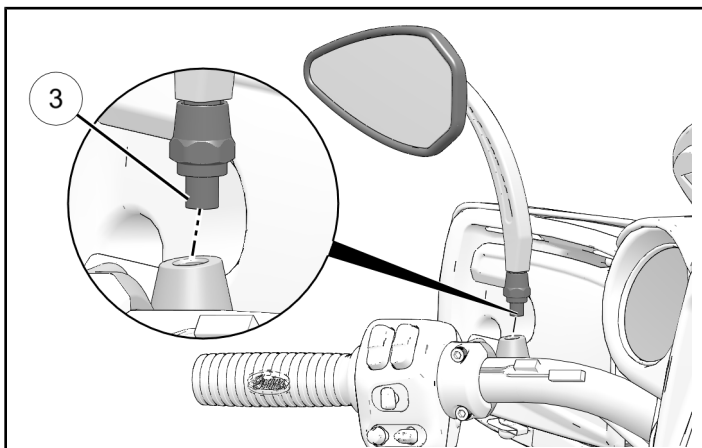
Mirror Stud **3**:  
**135 in-lbs (15.25 N·m)**



3. Thread locking nut **4** onto mirror stud **3** with tapered end of nut positioned near mirror stem **1**.



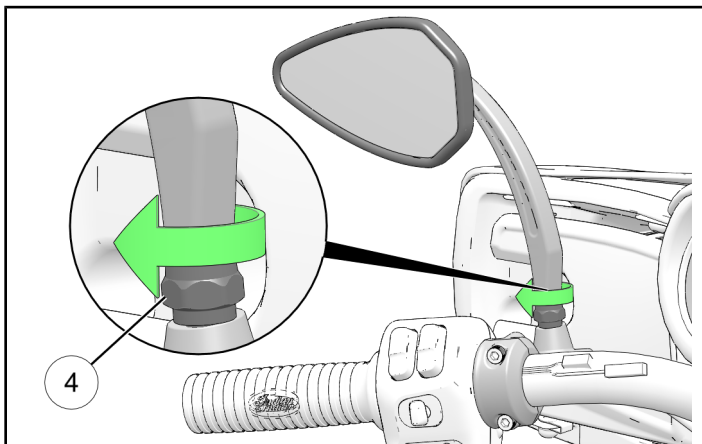
- Thread mirror assembly stud ③ onto vehicle until almost tight. Adjust to preferred location.



- Thread locking nut ④ down to secure mirror to motorcycle. Torque locking nut ④ to specification.

**TORQUE**

Locking Nut ④:  
12 ft-lbs (16.2 N·m)

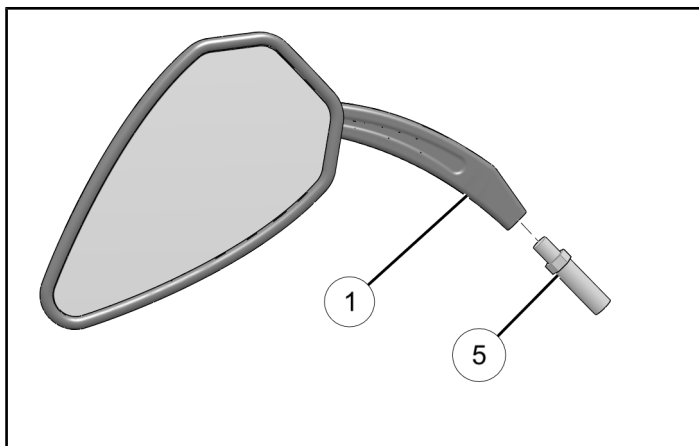


**NOTE**

Repeat steps for Right Hand Mirror

**INTERNATIONAL MOUNTING INSTRUCTIONS-LEFT HAND**

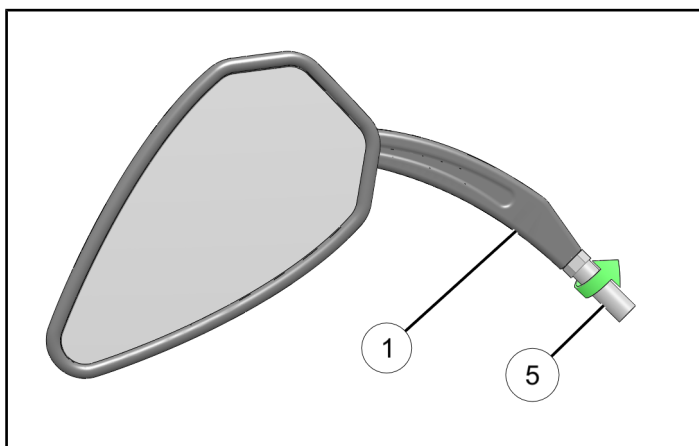
- Thread patch lock end of mirror stud ⑤ into mirror stem ①.



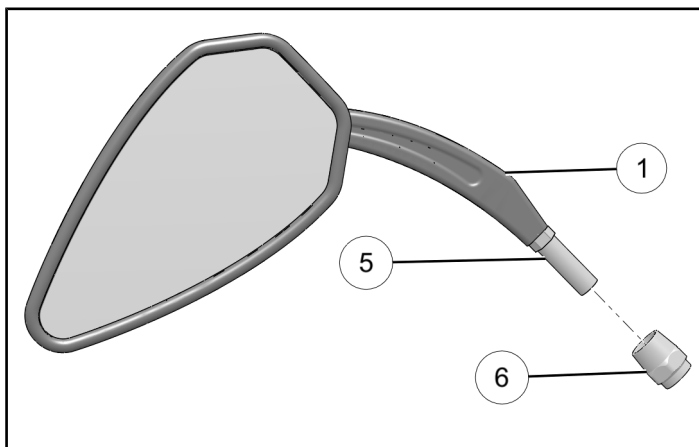
- Torque mirror stud ⑤ to specification.

**TORQUE**

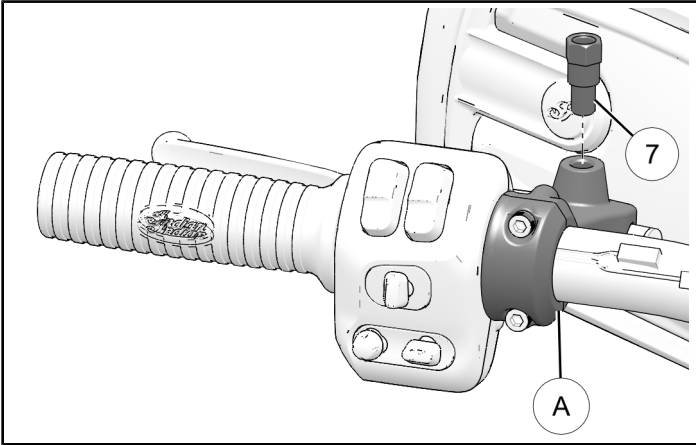
Mirror Stud ⑤:  
135 in-lbs (15.25 N·m)



- Thread locking nut ⑥ onto mirror stud ⑤ with tapered end of nut positioned near mirror stem ①. Set mirror assembly aside.



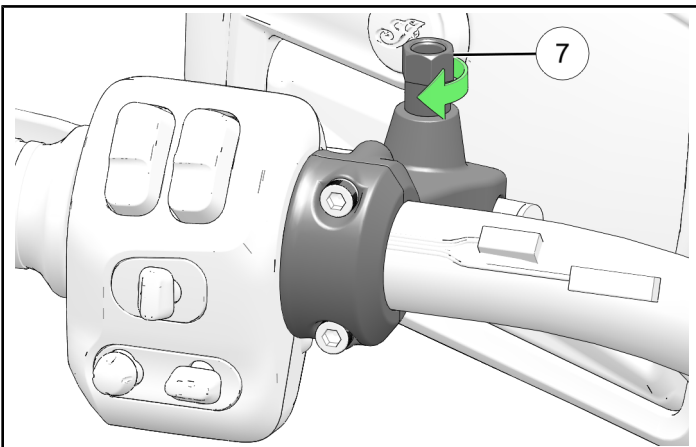
4. Thread post nut ⑦ onto clutch lever assembly  
 Ⓐ.



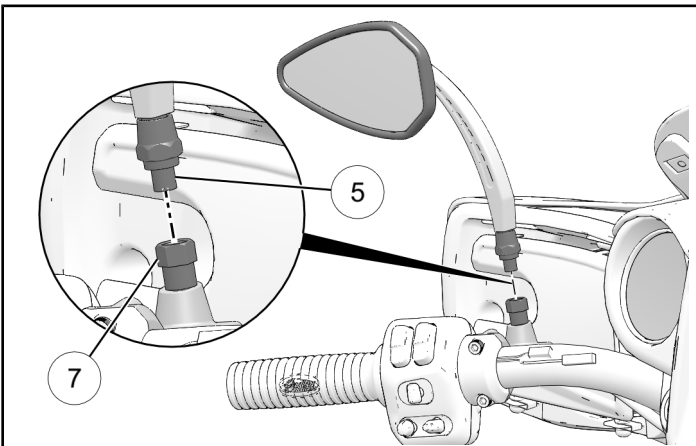
5. Torque post nut ⑦ to specification.

**TORQUE**

Mirror Post Nut ⑦:  
**12 ft-lbs (16.2 N·m)**



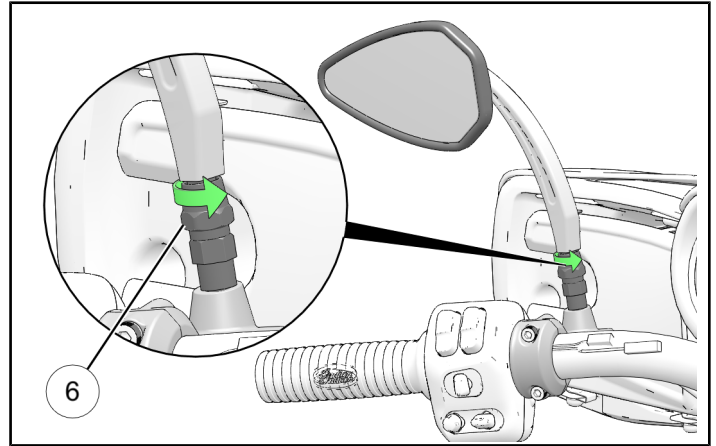
6. Thread mirror assembly stud ⑤ into post nut ⑦ until almost tight. Adjust to preferred location.



7. Thread locking nut ⑥ down to secure mirror to motorcycle. Torque locking nut ⑥ to specification.

**TORQUE**

Locking Nut ⑥:  
**12 ft-lbs (16.2 N·m)**



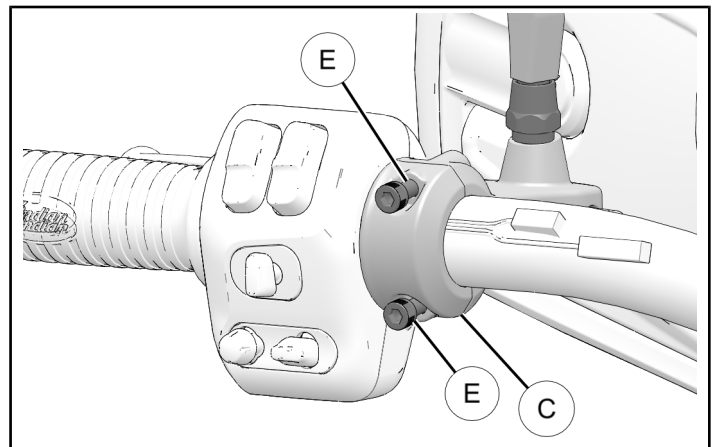
8. If loosened, torque clamp fasteners ⑤ on clutch lever assembly ③.

**IMPORTANT**

Torque **TOP** fastener **FIRST**.

**TORQUE**

Clamp Fasteners ⑤:  
**70 in-lbs (8 N·m)**



**NOTE**

Repeat steps for Right Hand Mirror. Install right side mirror onto brake control assembly ④.

## FEEDBACK FORM

A feedback form has been created for the installer to provide any comments, questions or concerns about the installation instructions. The form is viewable on mobile devices by scanning the QR code or by clicking [HERE](#) if viewing on a PC.

