

ADJUSTABLE PASSENGER FLOORBOARD MOUNT KIT



P/N 2880288

APPLICATION

ALL INDIAN CHIEF AND CHIEFTAIN FAMILY VEHICLES

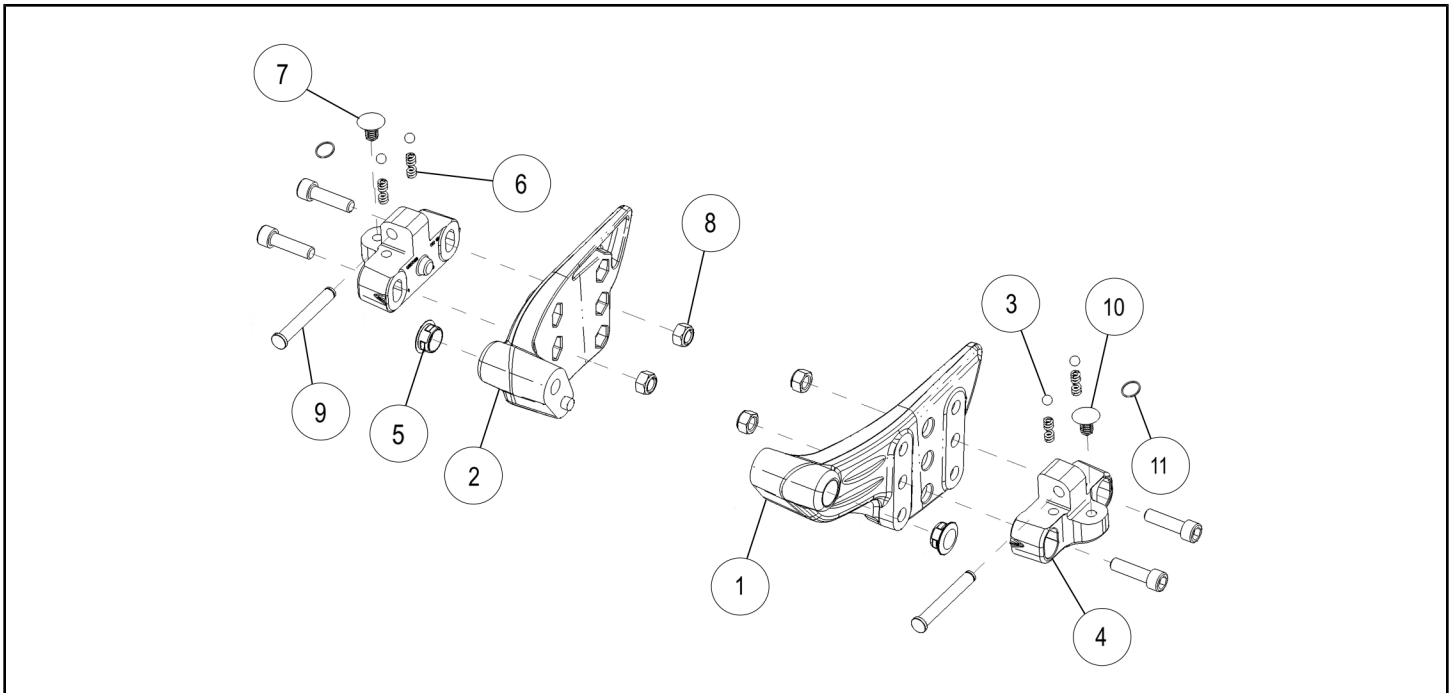
NOTE

Passenger Floorboard Kit 2880293 or similar (sold separately) is needed to complete the installation of this kit.

BEFORE YOU BEGIN

Read these instructions and check to be sure all parts and tools are accounted for in package. Please retain these installation instructions for future reference and parts ordering information.

KIT CONTENTS



REF	QUANTITY	PART DESCRIPTION	PART NUMBER
1	1	Passenger Floorboard Mount Assembly, LH	1020121
2	1	Passenger Floorboard Mount Assembly, RH	1020122
3	4	Floorboard Detent Ball	5133944
4	2	Floorboard Pivot Mount	5137789
5	2	Floorboard Mount Plug	5415328
6	4	Compression Spring	7042255
7	4	Screw, Socket Head-M8 X 1.25 X 30 8.8 ZPC	7517361
8	4	Nyloc Nut-M8X1.25-Y	7547144
9	2	Pivot Pin, Floorboard, 55mm Grip	7661979

REF	QUANTITY	PART DESCRIPTION	PART NUMBER
10	2	Plastic Dart Clip-Nylon	7670088
11	2	Spiral Retaining Ring	7710644
	1	Instructions	9925237

TOOLS NEEDED

- Floorboard Kit
- Torque Wrench
- 6 mm Hex Key Socket
- 8 mm Hex Key Socket
- Grease

APPROXIMATE ASSEMBLY TIME

30 minutes

IMPORTANT

Your Indian ADJUSTABLE PASSENGER FLOORBOARD MOUNT KIT is exclusively designed for your vehicle. Please read the installation instructions thoroughly before beginning. Installation is easier if the vehicle is clean and free of debris. For your safety, and to ensure a satisfactory installation, perform all installation steps correctly in the sequence shown.

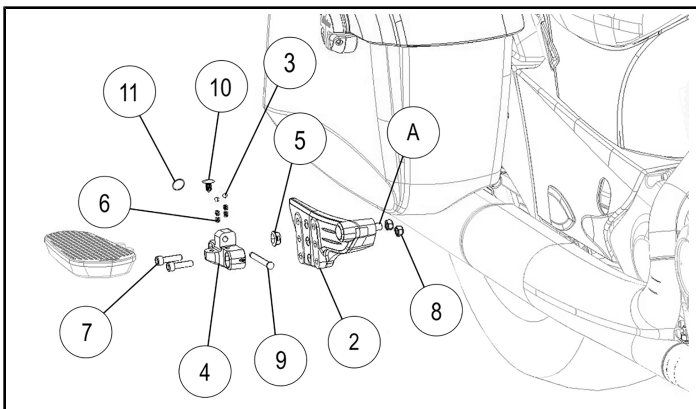
INSTALLATION INSTRUCTIONS

NOTE

This floorboard assembly is adjustable for both height and attitude.
Use the lower, middle, or upper row of bolt holes in the floorboard mount to adjust the height.
Use the slots in the floorboard pivot to adjust the angle.

Removal

1. Remove the M10 x 30 socket head screw that holds the passenger foot peg onto the vehicle. Retain this fastener, as it will be reused.
2. Set the passenger footpeg assemblies off to the side, they will not be needed.



Installation

1. Pre-assemble your Passenger Floorboard Kit before starting (if applicable).
2. Assemble one of the floorboard pivot mounts ④ to the passenger floorboard mount, RH ②.
3. Use two M8 screws ⑦ and two M8 nyloc nuts ⑧ to affix the pivot to the mount. For now, leave finger tight.
4. Assemble the mount ⑤ and pivot assembly to the right side of the vehicle with one of the M10 x 30 screws (A) removed earlier.

TORQUE

35 ± 5 ft. lbs. (47.4 ± 6.8 Nm)

5. Repeat Steps 1-4 for the LH passenger floorboard mount on the left side of the vehicle. Tighten M10 x 30 screw.

TORQUE

35 ± 5 ft. lbs. (47.4 ± 6.8 Nm)

6. Adjust the angle of the pivot mount ^④ to desired position, and tighten the two finger tight M8 screws ^⑦.

TORQUE

18 ± 2 ft. lbs. (24.4 ± 2.7 Nm)

7. Repeat Steps 5 and 6 on the other side of the vehicle.
8. Push one plastic dart ^⑩ into the hole of the pivot as shown in sketch.
9. Repeat Step 8 for other side of the vehicle.
10. Dip one compression spring ^⑥ into grease and insert it into one of the holes on the pivot as shown in sketch.
11. Repeat Step 10 for each of the remaining compression springs ^⑥ and holes in the pivots.
12. Set a detent ball ^③ onto each spring as indicated in the sketch.
13. Locate the RH passenger floorboard assembly (sold separately), and hold it with the top surface oriented vertically, facing the side of the vehicle (as if it were in the stowed position).

14. Carefully push the floorboard assembly clevis over the pivot, taking care to line up the detent ball ^③ with the detent on the floorboard assembly, and taking care to not knock the detent balls off of the pivot (the grease from Steps 10 and 11 should help to hold the detent balls in place).

15. Push firmly downwards to compress the compression springs ^⑥, allowing the holes in the floorboard assembly and the hole in the pivot to line up.
16. Insert the pivot pin ^⑨ into the aligned holes from front to back relative to the vehicle.
17. Assemble the spiral retaining ring ^⑪ from the Floorboard Assembly Kit onto the end of the pivot pin ^⑨.
18. Repeat Steps 13-17 for the LH passenger floorboard assembly (sold separately) on the LH side of the vehicle.
19. On both sides of the vehicle, insert the mount plug ^⑤ into the mount to hide the M10 x 30 screw.

CAUTION

Ensure all fasteners are torqued to the indicated value.
--