

PASSENGER FLOORBOARD KIT

KIT P/N 2880293

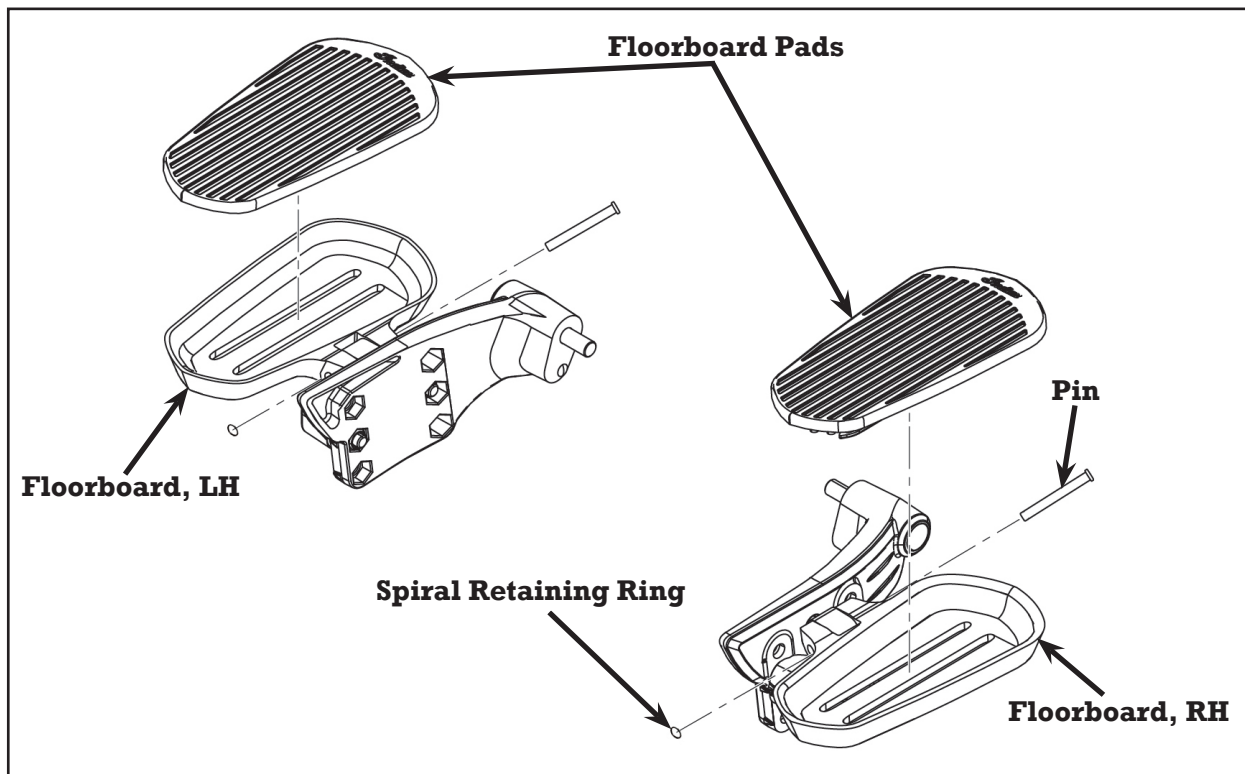


Application

Chief and Chieftain based vehicles

NOTE: Passenger Floorboard Mount Kit 2880288 (sold separately) is needed to complete the installation of this kit.

NOTE: Before you begin, read these instructions and check to be sure all parts and tools are accounted for in package. Please retain these installation instructions for future reference and parts ordering information. For your safety, and to ensure a satisfactory installation, perform all installation steps correctly in the sequence shown below.



Kit Contents:

Quantity	Part Description	Part Number
1	Floorboard, LH	5139675
1	Floorboard, RH	5139676
2	Floorboard Pad	5415214
2	Spiral Retaining Ring	7710644
1	Instructions	9925241

You will need to supply:

Floorboard Mount Kit 2880288 (Sold Separately)

Water-based Rubber Lubricant

APPROXIMATE ASSEMBLY TIME: 18 minutes

INSTALLATION INSTRUCTIONS

Vehicle Preparation Instructions:

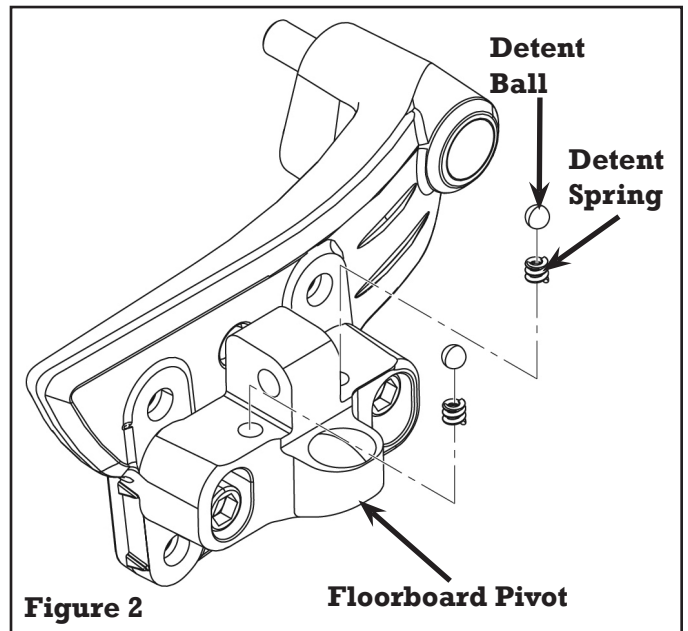
1. Install Floorboard Mount Kit 2880288.

Installation:

1. Install the rubber pad into the floorboard pan using the edge of a sturdy table as shown in Figure 1. Soapy water or a non-oil based rubber lubricant can be used to aid assembly. Make sure the rubber is inserted completely into the pan and the locking feature molded into the rubber is fully engaged on the bottom side of the floorboard pan. See Figure 1.



2. Place the detent spring (PN 7042255) from the Floorboard Mount Kit 2880288 into each of the two holes located on the top of the floorboard pivot (PN 5137789). The floorboard pivot was installed with Floorboard Mount Kit 2880288. See Figure 2.
3. Place the detent ball (PN 5133944) from the Floorboard Mount Kit 2880288 on top of each spring. See Figure 2.
4. We recommend applying a small amount of grease to the detent balls, pins and the surface between the floorboards and floorboard pivots. Wipe off excess grease after assembly.



5. Carefully place the floorboard into position, depressing the springs and balls into the pivot. Align the holes in the floorboard with the hole in the pivot. Insert pin (PN 7661979) from Floorboard Mount Kit 2880288 through the holes. Please note diagram on page 1 for orientation on the pin. Although it is possible to install the pin from either direction, it should be installed from the front and pushed towards the rear of the motorcycle. Doing so will reduce the chance of the pin falling out if the spiral retaining ring comes loose.
6. Install a spiral retaining ring (PN 7710644) into each of the grooves on the pins (PN 7661979). Ensure the spiral retaining rings are fully seated in the grooves.