

# LOW SHOCK KIT



P/N 2883667, 2884423

## IMPORTANT

Due to the technical nature of this kit, Indian Motorcycle® insists this installation be performed by a certified Indian Motorcycle® Technician.

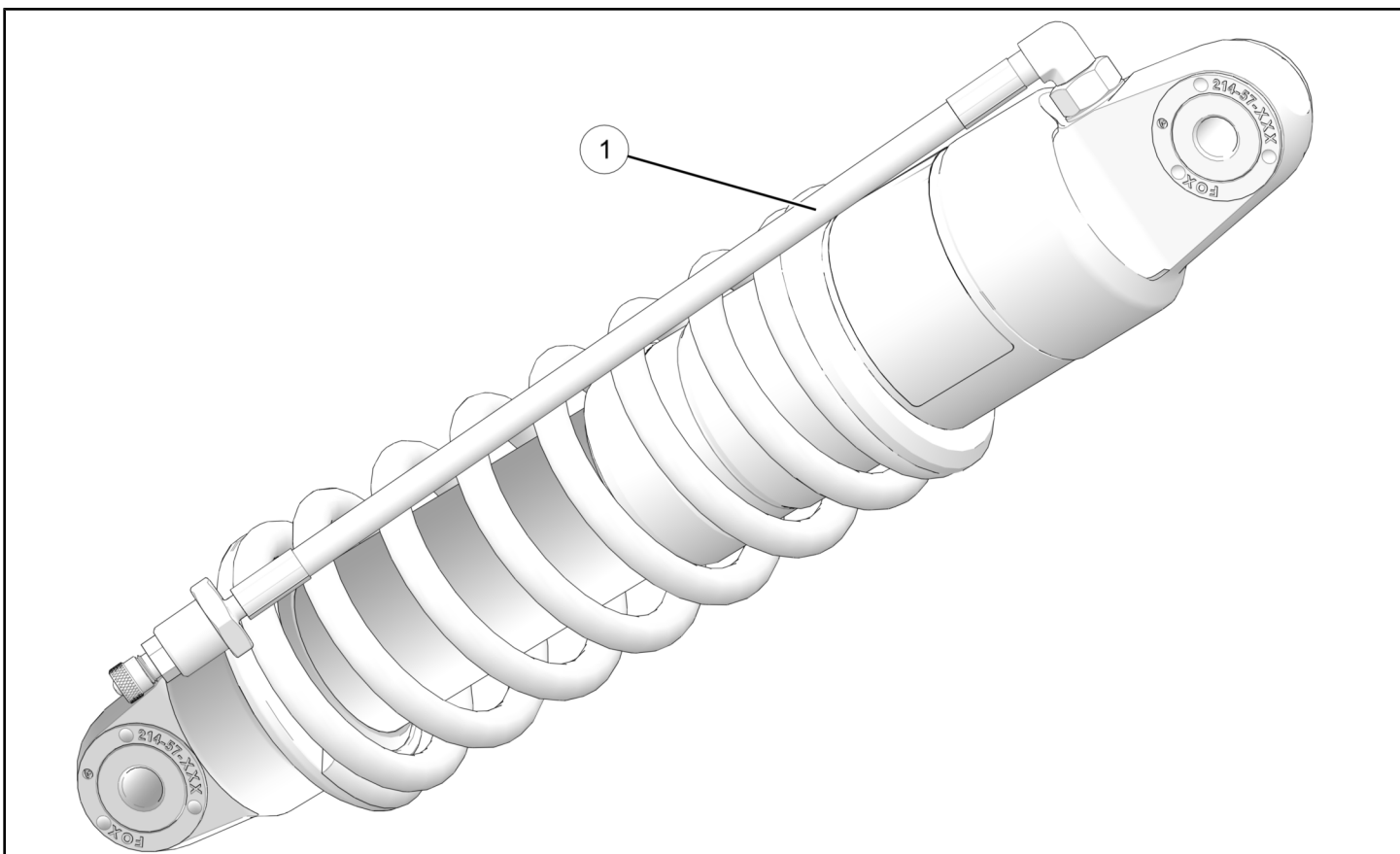
## APPLICATION

Verify accessory fitment at [www.indianmotorcycle.com](http://www.indianmotorcycle.com).

## BEFORE YOU BEGIN

Read these instructions and check to be sure all parts and tools are accounted for. Please retain these installation instructions for future reference and parts ordering information.

## KIT CONTENTS



REF	QTY	PART DESCRIPTION	P/N AVAILABLE SEPARATELY
1	1	Shock, Rear, Low, (Kit P/N 2883667) Shock, Rear, Low, (Kit P/N 2884423)	1544058 1544279
2	1	Decal, Shock Pressure (Not Shown)	7188651

## TOOLS REQUIRED

- Safety Glasses
- Platform Jack, Motorcycle
- Socket Set, Hex Bit, Metric
- Socket Set, Metric
- Torque Wrench
- Wrench Set, Metric
- Vehicle Lift/Support Equipment

## IMPORTANT

Your Indian Motorcycle® Low Shock Kit is exclusively designed for your vehicle. Please read the installation instructions thoroughly before beginning. Installation is easier if the vehicle is clean and free of debris. For your safety, and to ensure a satisfactory installation, perform all installation steps correctly in the sequence shown.

## INSTALLATION INSTRUCTIONS

1. See appropriate vehicle service manual for instructions on removal of existing shock and installation of Low Shock ①.
2. Apply shock pressure decal ② provided in kit to left side cover for future reference.

## FEEDBACK FORM

A feedback form has been created for the installer to provide any comments, questions or concerns about the installation instructions. The form is viewable on mobile devices by scanning the QR code or by clicking [HERE](#) if viewing on a PC.

