

# PASSENGER SEAT KIT



**P/N 2880666, 2881766, 2882767**

## APPLICATION

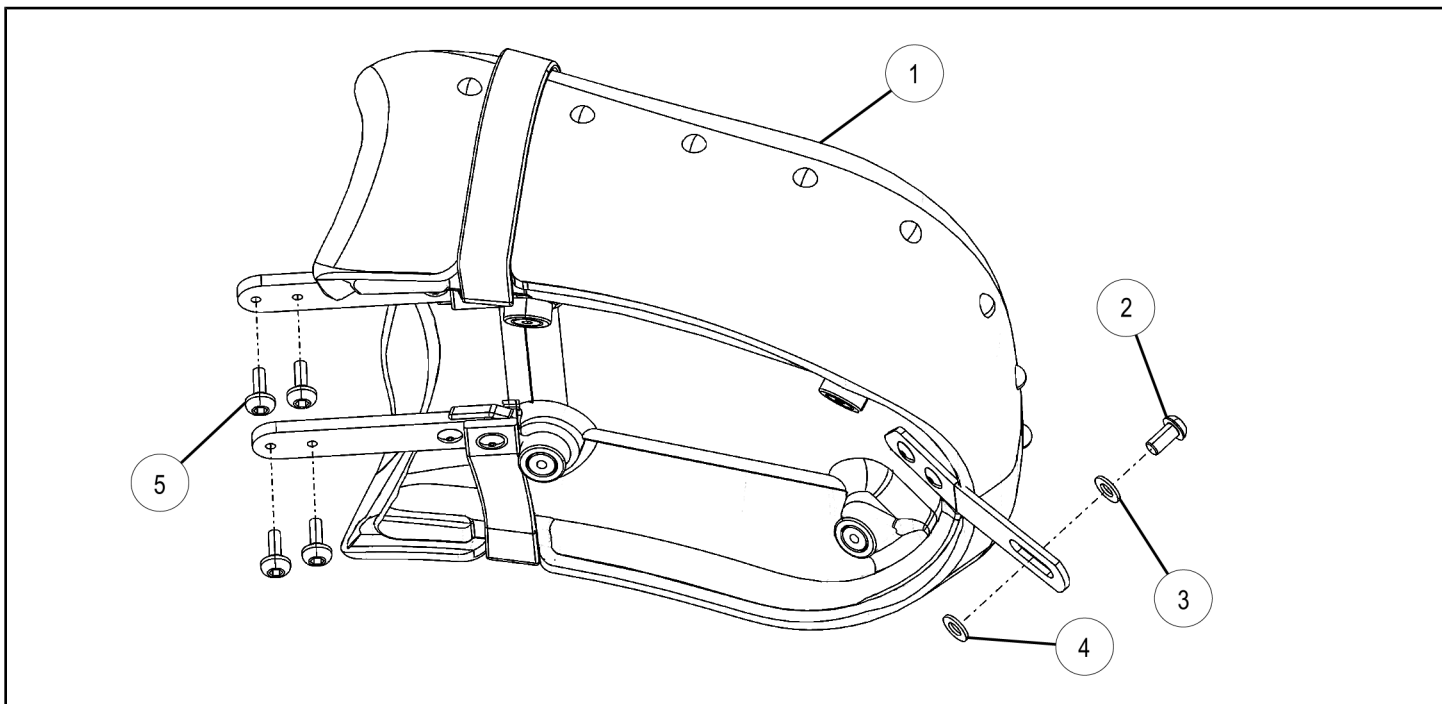
Verify accessory fitment at [www.indianmotorcycle.com](http://www.indianmotorcycle.com).

## BEFORE YOU BEGIN

Read these instructions and check to be sure all parts and tools are accounted for. Please retain these installation instructions for future reference and parts ordering information.

## KIT CONTENTS

This Kit includes:



REF	QTY	PART DESCRIPTION	PART NUMBER
1	1	Passenger Seat	-
2	1	Button Head Hex Screw, M8 X 1.25 X 16 (Kit PN 2881766) Button Head Hex Screw, M8 X 1.25 X 16 (Kit PN 2882767, 2880666)	7520456 7517359
3	1	Flat Washer 8.4 X 16.0 X 1.6	7556254
4	1	Plastic Washer M8 X 18.6 X 1.3 (Kit PN 2882767) Plastic Washer 8.4 X 16 X 1.6 (Kit PN 2881766, 2880666)	7556884 7555988
5	4	Black Button Head Hex Screws M6 X 1.0 X 15	7519774
	1	Instructions	9925564

## TOOLS REQUIRED

- Safety Glasses
- Torque Wrench
- Socket Set, Hex Bit, Metric

## IMPORTANT

Your Indian Passenger Seat Kit is exclusively designed for your vehicle. Please read the installation instructions thoroughly before beginning. Installation is easier if the vehicle is clean and free of debris. For your safety, and to ensure a satisfactory installation, perform all installation steps correctly in the sequence shown.

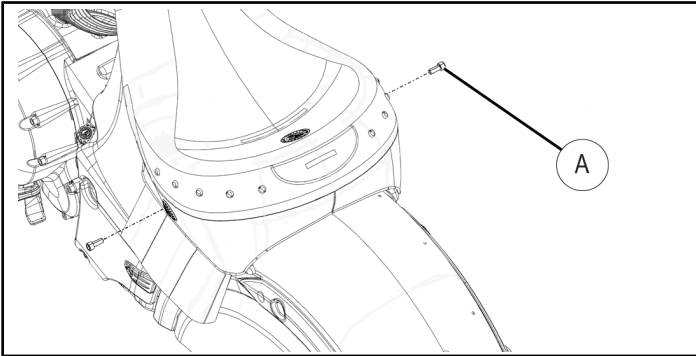
## ASSEMBLY TIME

Approximately 15 minutes

## INSTALLATION INSTRUCTIONS

### STOCK SEAT REMOVAL

1. If driver seat has valanced flaps, lift up flaps and remove side covers to access and remove seat mounting bolts (A).



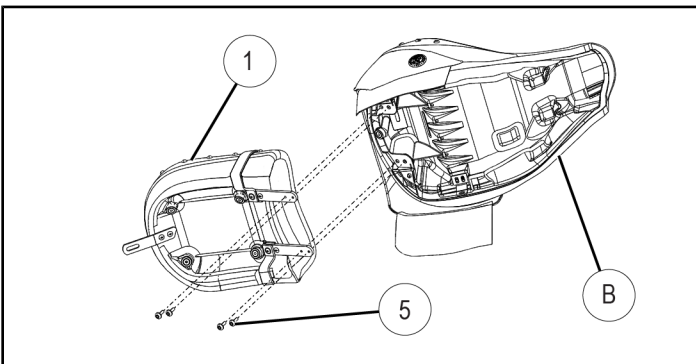
2. Lift up seat and slide toward rear of bike.
3. Carefully set seat, bottom side up, on a towel or cloth on workbench to prevent damage to the driver seat.

### PASSENGER/DRIVER SEAT ASSEMBLY

1. Align four mounting holes of passenger seat mounting brackets over four mounting holes on driver seat.
2. Install four screws (5) to attach passenger seat (1) to driver seat (B) and torque to specification.

#### TORQUE

84 in. lbs. (9.5 Nm)

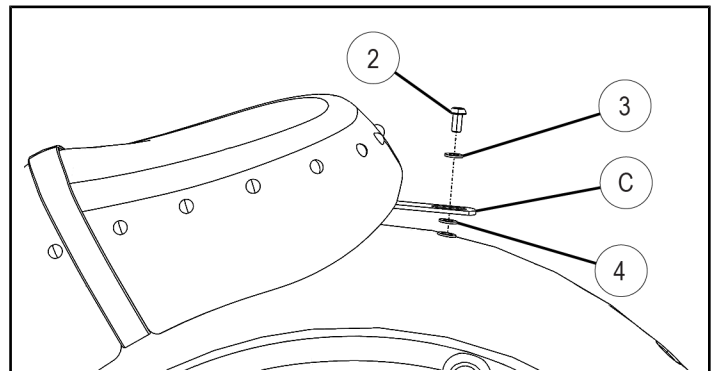


### SEAT INSTALLATION

1. Place seat assembly onto the motorcycle approximately 1.5 inches (38 mm) to rear of mounted position. Ensure front slots are aligned to tabs on front of fender.
2. Tip seat forward and slide seat on until it catches. Hold passenger seat up to ensure it does not scratch frame.
3. Place plastic washer (4) on fender and lower passenger seat mounting bracket (C) onto it. Install button head screw (2) and flat washer (3). Torque to specification.

#### TORQUE

8 ft. lbs. (11 Nm)



4. Re-install driver seat mounting bolts (A) and torque to specification.

#### TORQUE

18 ft. lbs. (24 Nm)

#### ⚠ WARNING

Seats must be properly installed for safe operation of motorcycle. Improper installation could lead to loss of control, and result in serious injury or death.

Clean seats with warm water, mild soap and a soft cloth. Let air dry.

## FEEDBACK FORM

A feedback form has been created for the installer to provide any comments, questions or concerns about the installation instructions. The form is viewable on mobile devices by scanning the QR code or by clicking [HERE](#) if viewing on a PC.

