

# SOLO SEAT CLOSEOUT KIT



**P/N 2882718**

## APPLICATION

Indian® Scout® Bobber Motorcycles

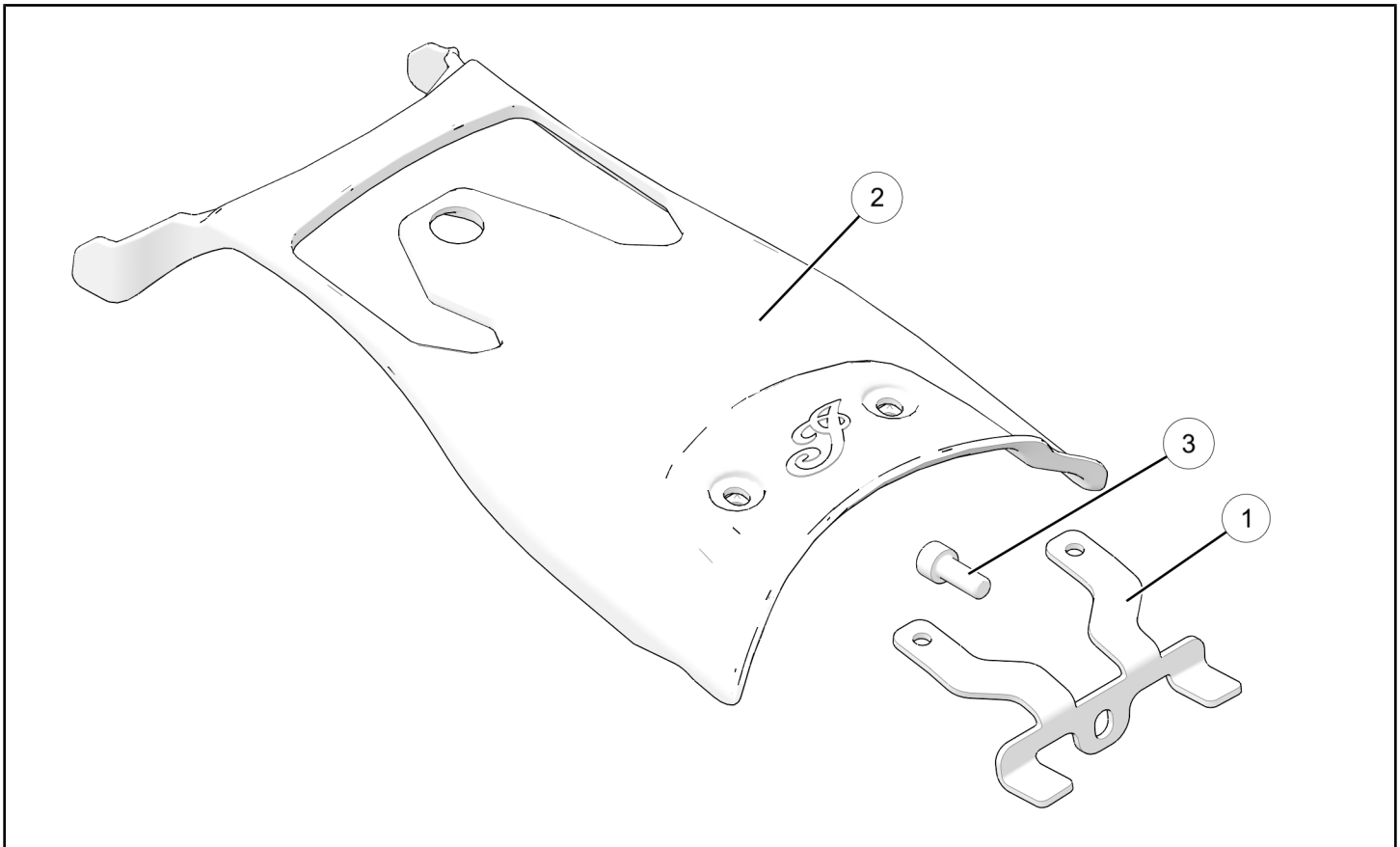
## BEFORE YOU BEGIN

Read these instructions and check to be sure all parts and tools are accounted for. Please retain these installation instructions for future reference and parts ordering information.

## KIT CONTENTS

This kit is required for installation of the 1920 Solo Saddle Seat Kit, PN 2880905 (sold separately), on Indian® Scout® Bobber Motorcycles. This kit contains parts for installation of the Closeout for Indian® Scout® Bobber only.

This Kit includes:



REF	QTY	PART DESCRIPTION	PART NUMBER
1	1	Bracket, Closeout, SC	5264070
2	1	Closeout, Seat, SC	5454075
3	1	Screw, Socket Head, M8 X 1.25 X 20	7516738
	1	Instructions	9927884

## TOOLS REQUIRED

- Safety Glasses
- Socket Set, Hex Bit, Metric
- Socket Set, Metric

- Torque Wrench

## IMPORTANT

Your Indian Solo Seat Closeout Kit is exclusively designed for your vehicle. Please read the installation instructions thoroughly before beginning. Installation is easier if the vehicle is clean and free of debris. For your safety, and to ensure a satisfactory installation, perform all installation steps correctly in the sequence shown.

## ASSEMBLY TIME

Approximately 24 minutes

## INSTALLATION INSTRUCTIONS

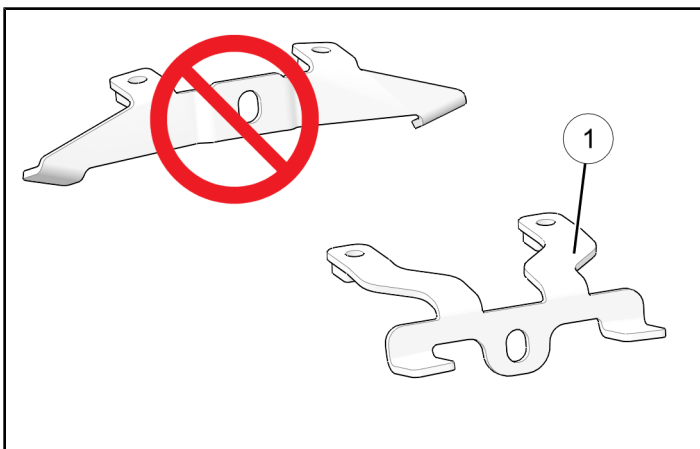
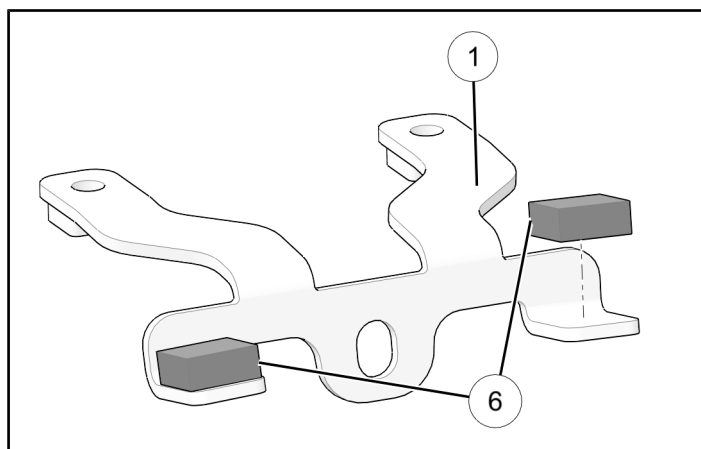
### NOTE

The following parts from kit # 2880905 are not installed on Indian® Scout® Bobber Motorcycles

- ③ Bobber Seat Panel Bracket
- ④ Bobber Seat Cover Spacer
- ⑦ Bobber Seat Closeout
- ⑧ Bobber Seat Subframe Cover
- ⑨ Screw, Socket Pan Head, M8 X 1.25 X 20

1. Turn key or ignition switch to “OFF” position and remove key. If equipped with keyless fob, remove fob from proximity of vehicle.
2. Ensure motorcycle is parked on a flat surface, kickstand is fully extended, and vehicle is stable prior to installation.
3. Follow **Removal Instructions** from kit PN **2880905**. (Kit Instruction PN 9925883). Disregard removal of “rear fender bolt ② and top hat ①”.
4. Ensure correct closeout mounting bracket ① is used for installation.

5. Install rubber pads ⑥ (from kit # 2880905) to closeout mounting bracket ① as shown.



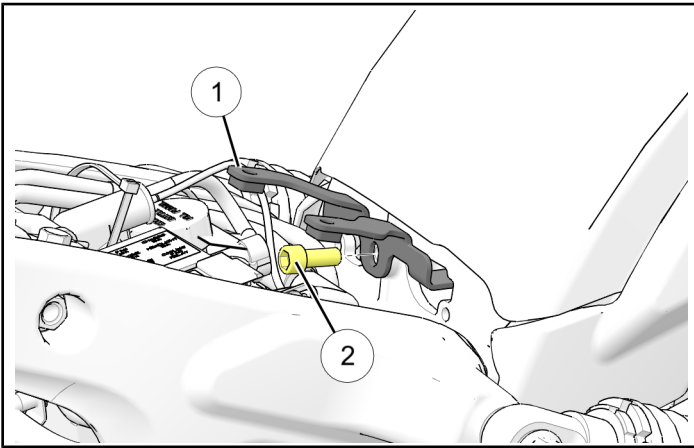
6. Loosely install closeout mounting bracket ① using new socket head screw ③ in vehicle by wedging down electrical harness as much as possible. Lift bracket, pressing rubber pads into upper edge of opening and torque screw to specification.

### CAUTION

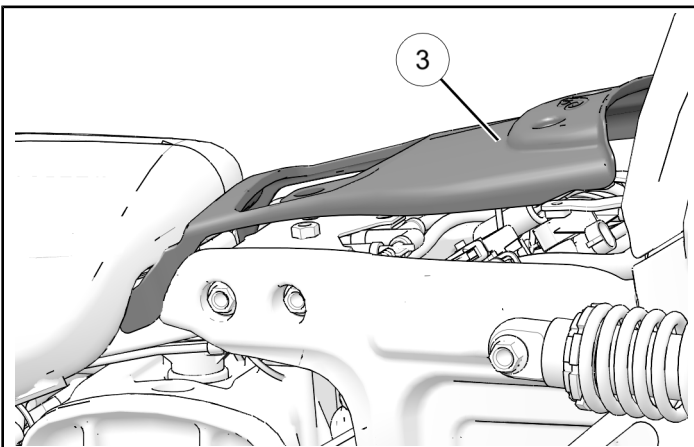
Extra care should be taken when inserting bracket and fastener near the electrical harness. Damage to adjacent wiring could result in loss of ignition or function to safety critical operating components.

### TORQUE

18 ft. lbs. (24 Nm)



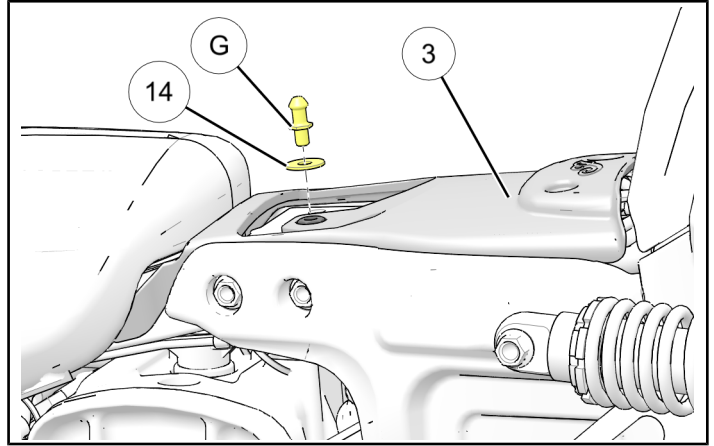
7. Add in closeout ③ by lifting tank slightly, sliding in plastic as shown.



8. Add washer ⑭ (from kit # 2880905), reinstall front seat post ⑥ (removed in removal section of kit instructions 2880905) and torque seat post to specification.

### TORQUE

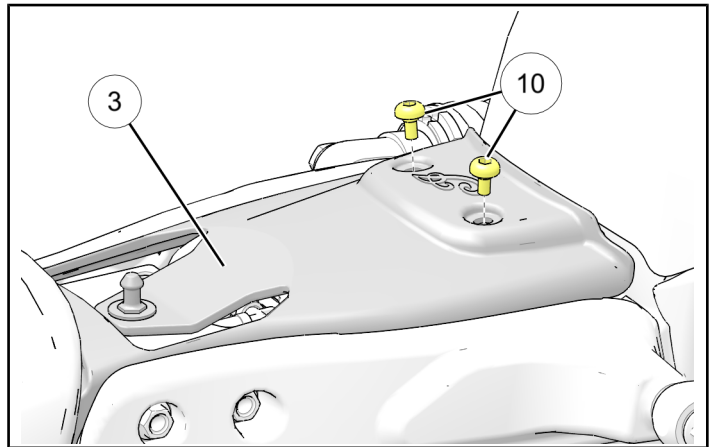
18 ft. lbs. (24 Nm)



9. Install screws ⑩ (from kit # 2880905) to closeout panel ③ and torque to specification.

### TORQUE

96 in. lbs. (11 Nm)



10. Return to kit instructions 9925883 to install seat and bracket.

## FEEDBACK FORM

A feedback form has been created for the installer to provide any comments, questions or concerns about the installation instructions. The form is viewable on mobile devices by scanning the QR code or by clicking [HERE](#) if viewing on a PC.

FEEDBACK FORM

