

COMFORT SEAT KIT



P/N 2884226

APPLICATION

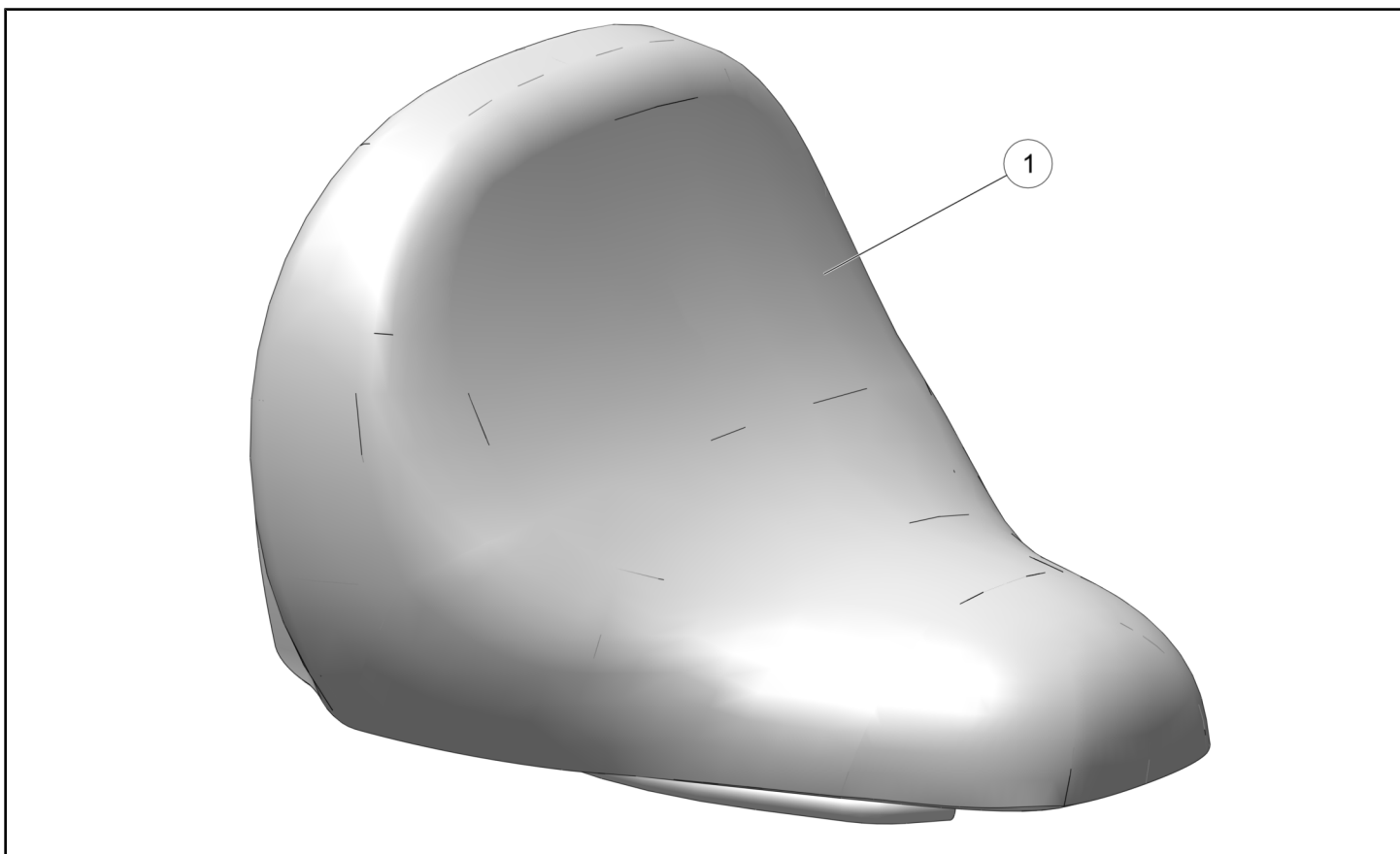
2018 and newer Scout® Bobber

Verify accessory fitment at www.indianmotorcycle.com.

BEFORE YOU BEGIN

Read these instructions and check to be sure all parts and tools are accounted for. Please retain these installation instructions for future reference and parts ordering information.

KIT CONTENTS



REF	QTY	PART DESCRIPTION	P/N AVAILABLE SEPARATELY
1	1	Assembly, Seat, Bobber, Comfort	-
	1	Instructions	9929706

TOOLS REQUIRED

None

IMPORTANT

Your Indian Motorcycle® Comfort Seat Kit is exclusively designed for your vehicle. Please read the installation instructions thoroughly before beginning. Installation is easier if the vehicle is clean and free of debris. For your safety, and to ensure a satisfactory installation, perform all installation steps correctly in the sequence shown.

INSTALLATION INSTRUCTIONS

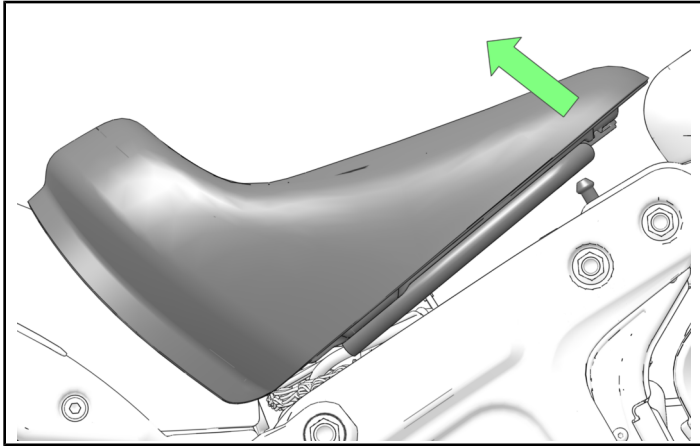
VEHICLE PREPARATION

GENERAL

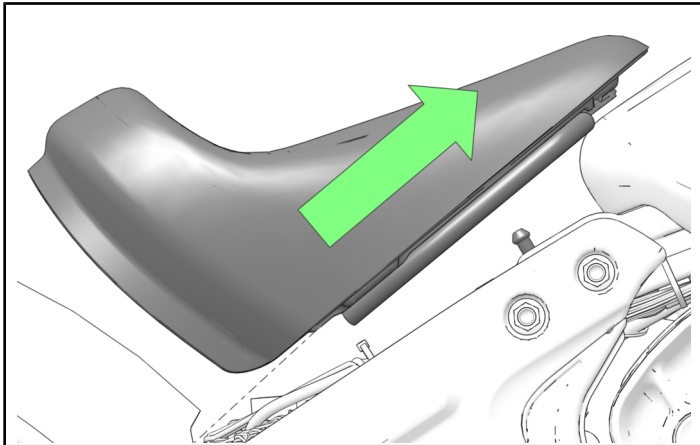
1. Turn key or ignition switch to **OFF** position and remove key.
2. Ensure motorcycle is parked on a flat surface, kickstand is fully extended, and vehicle is stable prior to installation.

REMOVE SCOUT BOBBER STOCK SEAT

1. Grasp front edge of seat and pull upward abruptly to disengage seat base grommet from seat mount stud.



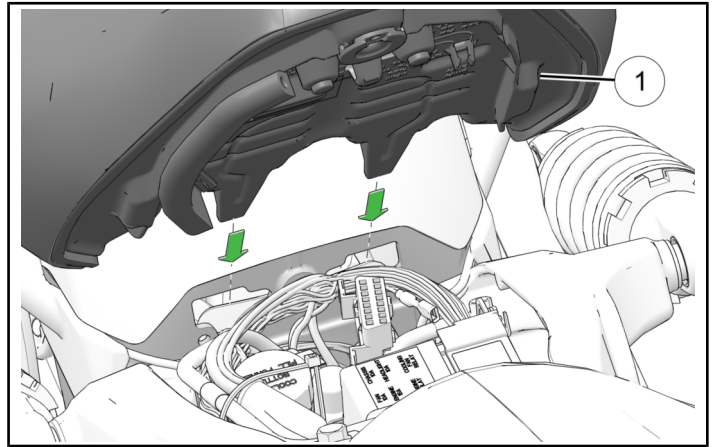
2. Lift front of seat and slide forward to disengage seat base tabs from rear fender and carefully set seat aside.



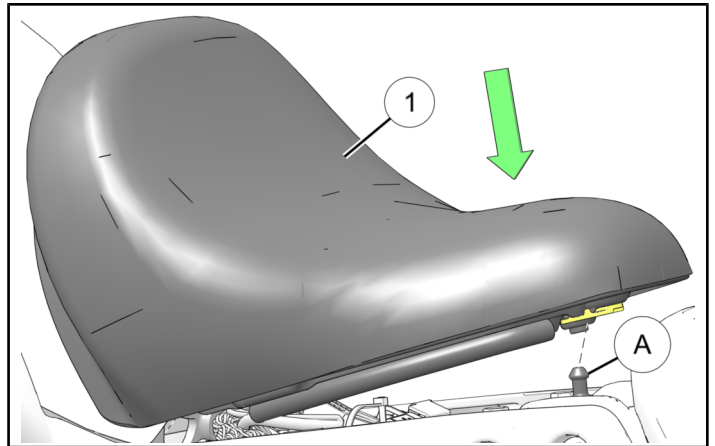
ACCESSORY INSTALLATION

INSTALL COMFORT SEAT

1. Insert tabs on new seat ① into openings below fender. Ensure wiring is clear and free from being caught in seat or seat base.



2. Align seat grommet with pin ① and press firmly down on seat to lock in place.



3. Pull up on seat to ensure it is firmly attached.

FEEDBACK FORM

A feedback form has been created for the installer to provide any comments, questions or concerns about the installation instructions. The form is viewable on mobile devices by scanning the QR code or by clicking [HERE](#) if viewing on a PC.

