

# ARMREST KIT

**KIT P/N 2880032**

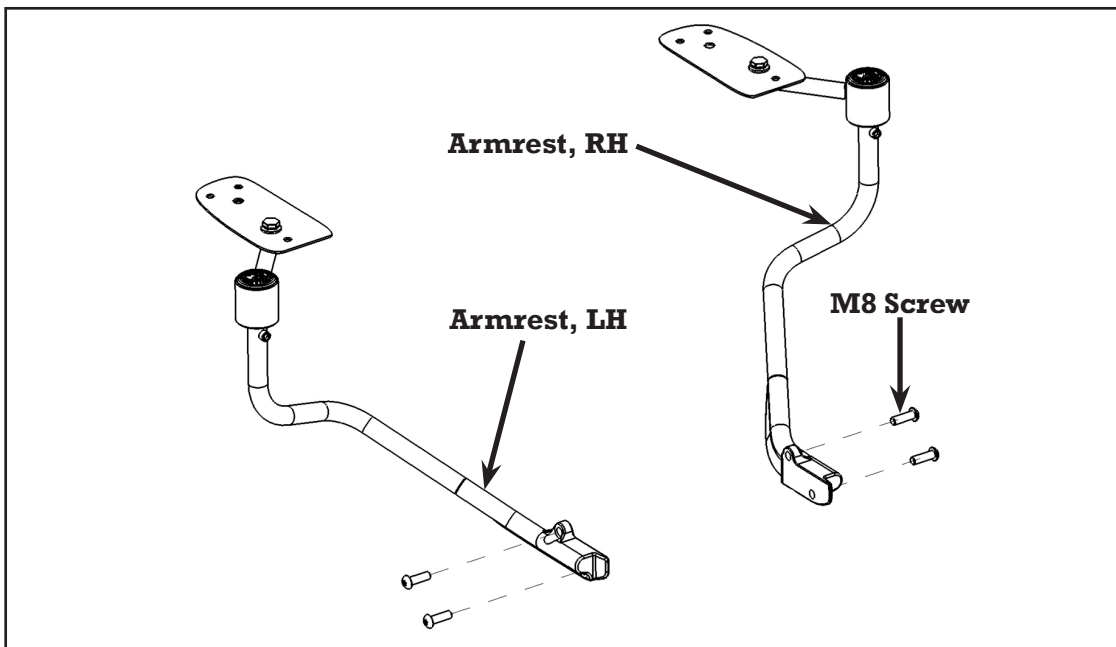


## Application

Indian Motorcycles with Indian Motorcycle Trunk

Arm Rest Pad Kit Purchased Separately. See dealer for correct color code for arm rest pad kit.

**NOTE:** Before you begin, read these instructions and check to be sure all parts and tools are accounted for in package. Please retain these installation instructions for future reference and parts ordering information. For your safety, and to ensure a satisfactory installation, perform all installation steps correctly in the sequence shown below.



## Kit Contents:

Quantity	Part Description	Part Number
1	Armrest, LH	1020279
1	Armrest, RH	1020280
4	Screw-M8x1.25x25	7520040
1	Instructions	9924891

## You will need to supply:

5mm Allen Wrench (optional)

T40 Torx Bit

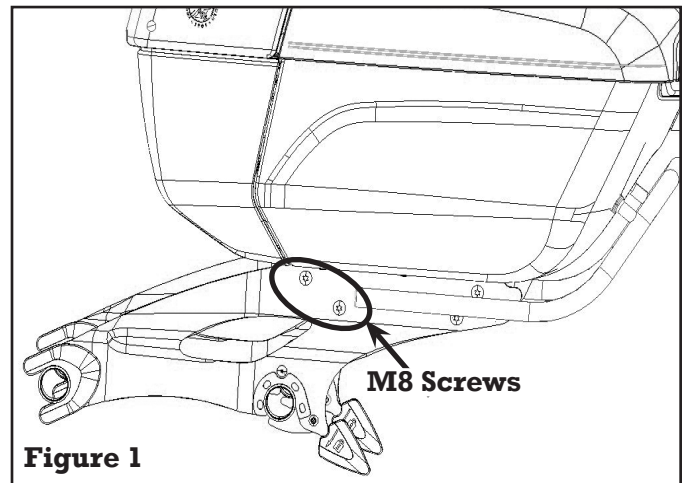
Torque Wrench

8mm Wrench (optional)

**APPROXIMATE ASSEMBLY TIME:** 5 minutes

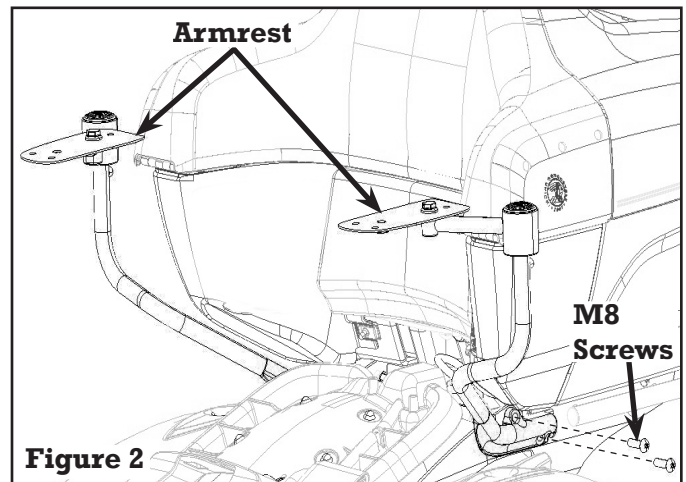
## **INSTALLATION INSTRUCTIONS**

1. Remove the M8 screws shown in Figure 1.



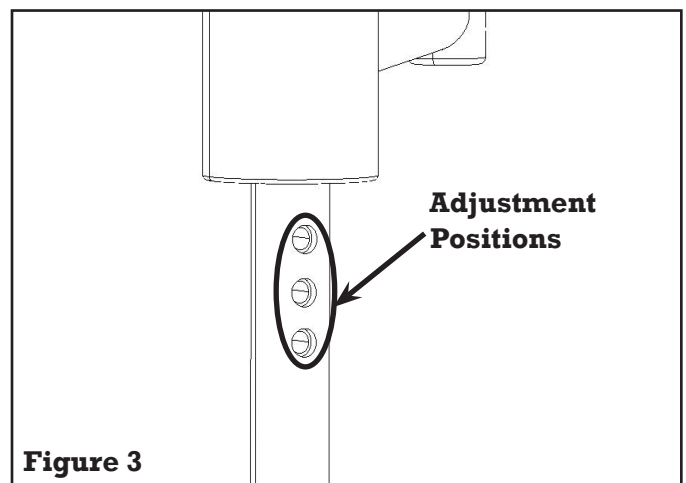
2. Use the M8 screws (PN 7520040) provided in this kit to bolt the left and right armrests (PN 1020279 LH; PN 1020278 RH) to their respective trunk mount brackets as shown in Figure 2. These use the same bolt hole shown in Figure 1. Torque the screws to 18 ft. lbs. (24.4 Nm).

**NOTE:** Allow arm rest to hang down under their own weight while tightening bolts.



### **Vertical Adjustment (Optional)**

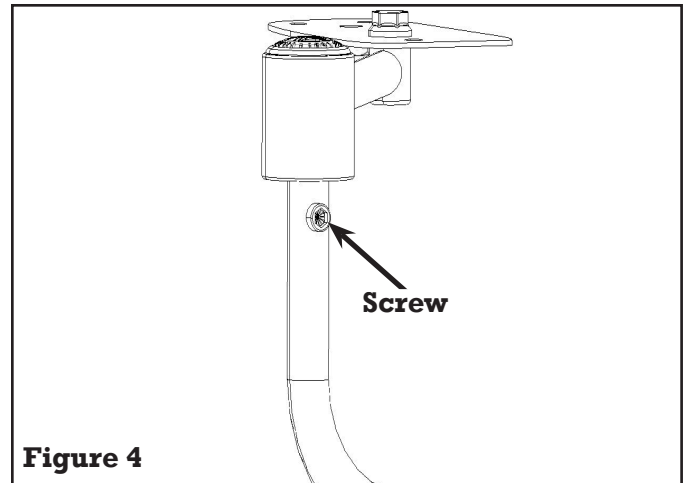
3. The arm rest has three height adjustment positions. If adjustment is desired remove the screw using a 5mm Allen wrench. See Figure 3.



4. Adjust the height and also replace the screw (shown in Figure 4).

Torque the screw to 90 in-lbs. (10.16 Nm).

**NOTE:** The height adjustment screw also affects the position of the arm rest pads relative to the trunk. Loosen this screw and re-position as necessary to create even distance between arm rest pads and trunk.



**Figure 4**