

ARMREST PAD KIT



P/N 2880041-XX

APPLICATION

Verify accessory fitment at www.indianmotorcycle.com.

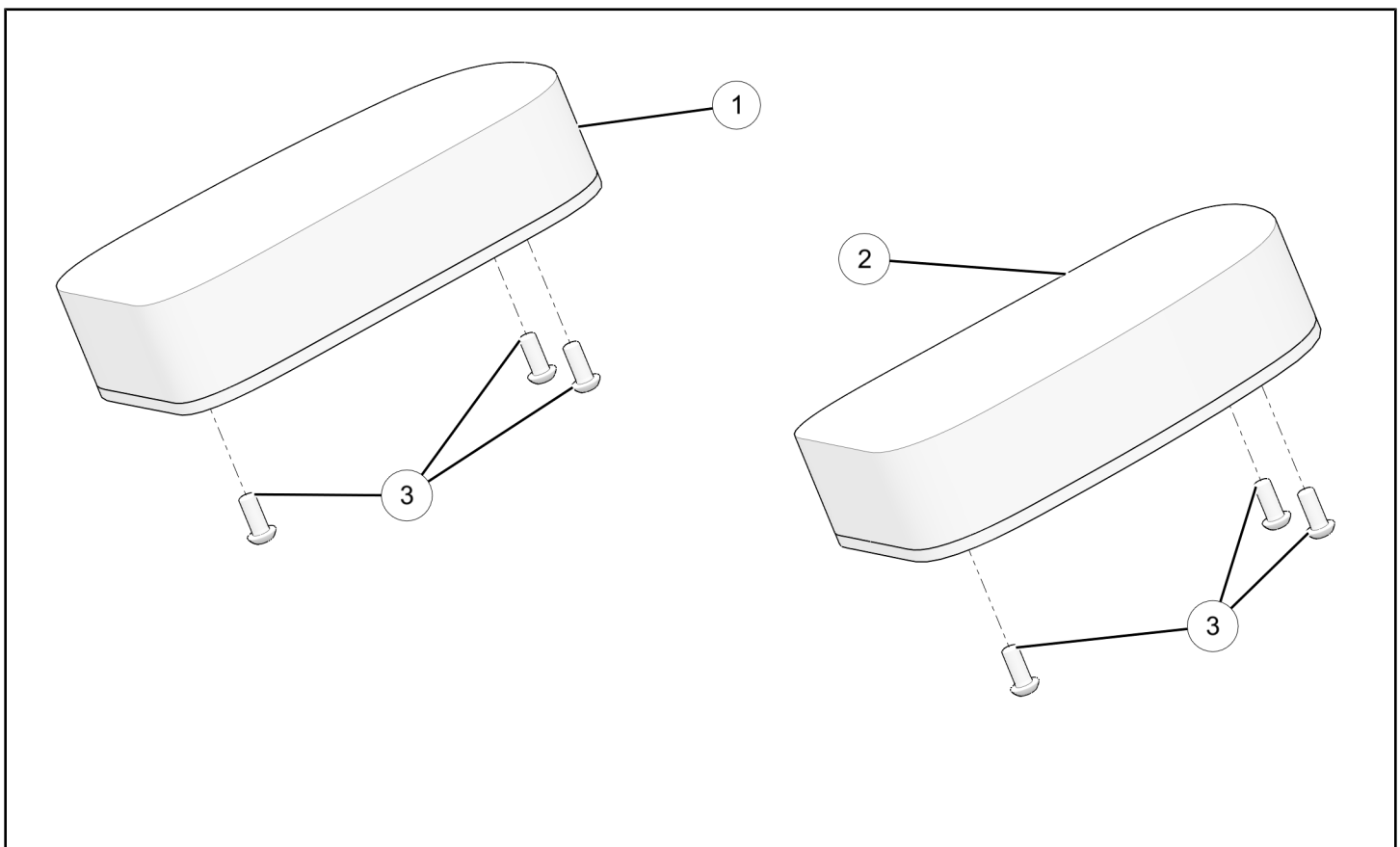
BEFORE YOU BEGIN

Read these instructions and check to be sure all parts and tools are accounted for. Please retain these installation instructions for future reference and parts ordering information.

KIT CONTENTS

This kit contains parts for installation of the Armrest Pad Kit only. Prior installation of the Trunk Armrest Support Kit, PN 2880032-XXX, is also required (sold separately).

This Kit includes:



NOTE

XX = Indian® color code (For example: 01 = Black)

REF	QTY	PART DESCRIPTION	PART NUMBER
1	1	Armrest, Pad, LH	2686028-XX
2	1	Armrest, Pad, RH	2686029-XX
3	6	Screw, M6 X 1.0 X 14	7519061
	1	Instructions	9924892

TOOLS REQUIRED

- Safety Glasses
- Hex Key Set, Metric

- Socket Set, Hex Bit, Metric
- Torque Wrench

IMPORTANT

Your Indian Armrest Pad Kit is exclusively designed for your vehicle. Please read the installation instructions thoroughly before beginning. Installation is easier if the vehicle is clean and free of debris. For your safety, and to ensure a satisfactory installation, perform all installation steps correctly in the sequence shown.

ASSEMBLY TIME

Approximately 6 minutes

INSTALLATION INSTRUCTIONS

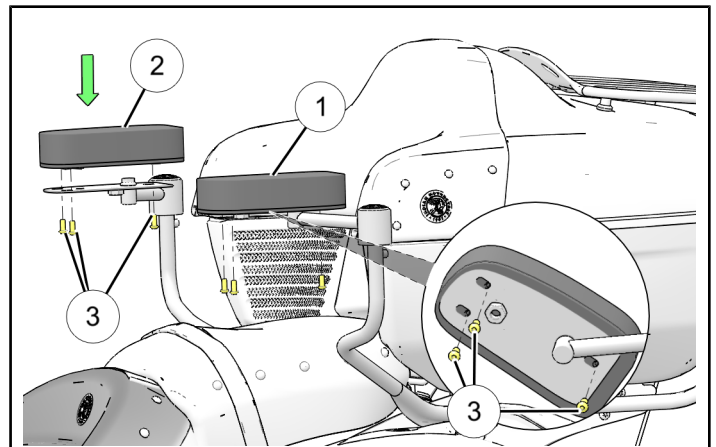
1. Turn key or ignition switch to **OFF** position and remove key. If equipped with keyless fob, remove fob from proximity of vehicle.
2. Ensure motorcycle is parked on a flat surface, kickstand is fully extended, and vehicle is stable prior to installation.

ARMREST PAD INSTALLATION

1. Install LH armrest pad ① with three screws ③.
Repeat for RH armrest pad ②.
Torque six screws ③ to specification.

TORQUE

60 in. lbs. (7 Nm)



FEEDBACK FORM

A feedback form has been created for the installer to provide any comments, questions or concerns about the installation instructions. The form is viewable on mobile devices by scanning the QR code or by clicking [HERE](#) if viewing on a PC.

FEEDBACK FORM

