

# PASSENGER BACKREST SUPPORT KIT



P/N MULTIPLE

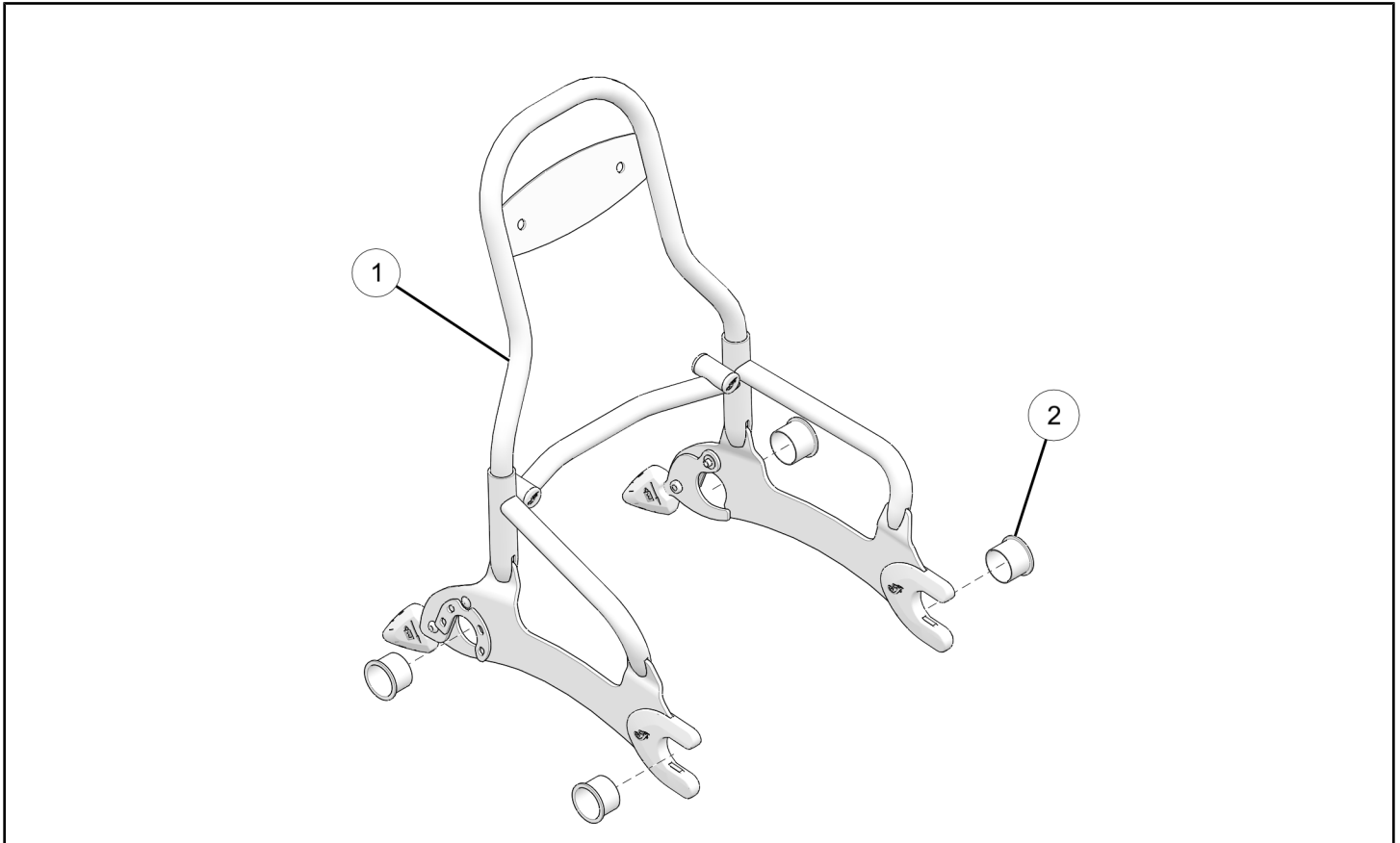
## APPLICATION

Verify accessory fitment at [www.indianmotorcycle.com](http://www.indianmotorcycle.com).

## BEFORE YOU BEGIN

Read these instructions and check to be sure all parts and tools are accounted for. Please retain these installation instructions for future reference and parts ordering information.

## KIT CONTENTS



| REF | QTY | PART DESCRIPTION   |
|-----|-----|--|
| 1   | 1   | Passenger Backrest   |
| 2   | 4   | Spool Bushing (not included with 2880669-XXX or 2880670-XXX) |

## TOOLS REQUIRED

- Safety Glasses
- Socket Set, Hex Bit, Metric
- Torque Wrench
- Ratchet
- Ratchet Extension

## IMPORTANT

Your Indian Motorcycle® Passenger Backrest Support Kit is exclusively designed for your vehicle. Please read the installation instructions thoroughly before beginning. Installation is easier if the vehicle is clean and free of debris. For your safety, and to ensure a satisfactory installation, perform all installation steps correctly in the sequence shown.

## INSTALLATION INSTRUCTIONS

### VEHICLE PREPARATION

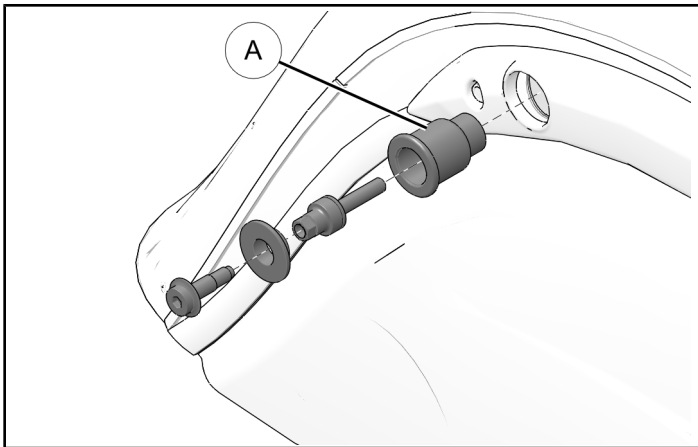
#### GENERAL

1. Turn key or ignition switch to **OFF** position and remove key. If equipped with keyless fob, remove fob from proximity of vehicle.
2. Ensure motorcycle is parked on a flat surface, kickstand is fully extended, and vehicle is stable prior to installation.
3. Remove saddlebags per owner's manual.

### BACKREST SUPPORT INSTALLATION

#### BUSHING INSTALLATION (IF NECESSARY)

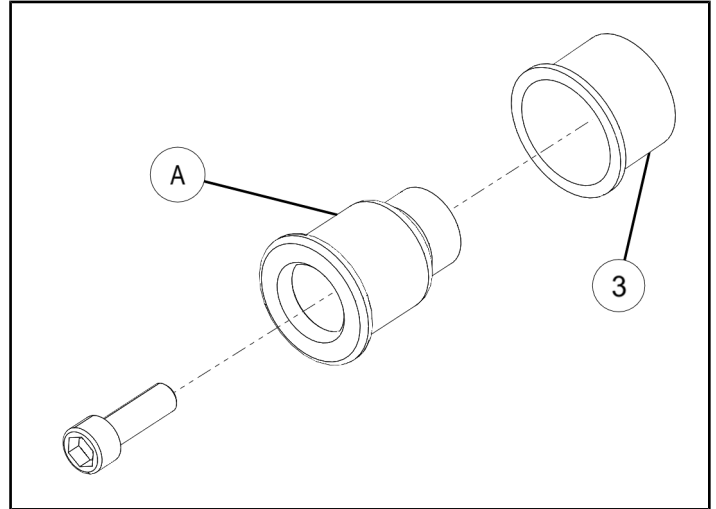
1. Remove four spools (A).



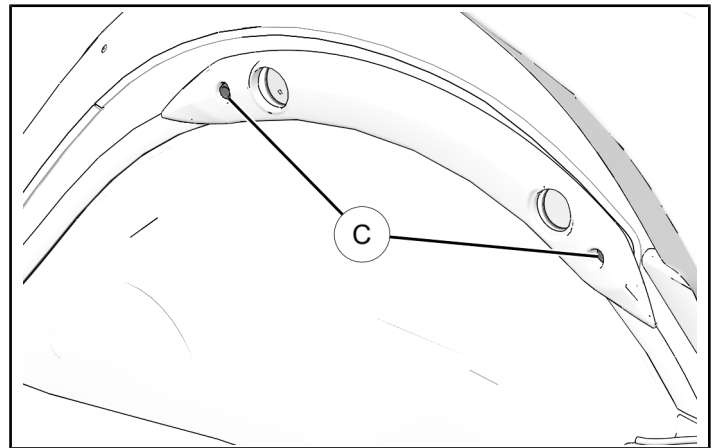
2. Install bushings over spools.

#### NOTE

Ensure flanges on spool (A) and spool bushing (3) are oriented as shown.



3. To aid installation (if applicable) loosen two screws (C) securing fender trim on both sides of vehicle.

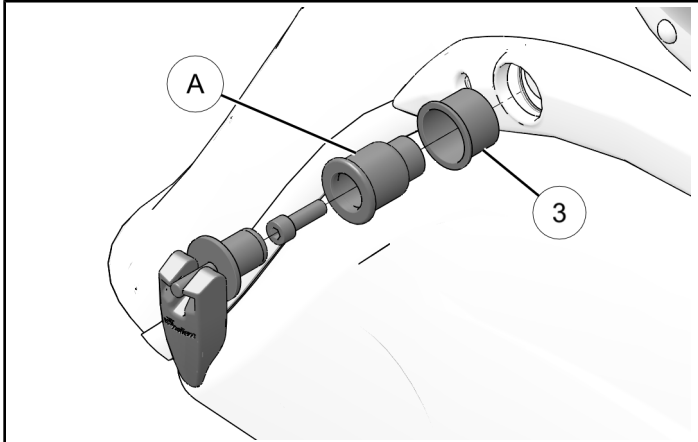


- Install spool/bushing assembly as shown. Torque fasteners to specification.

a. **Model Years 2014-2018:**

**TORQUE**

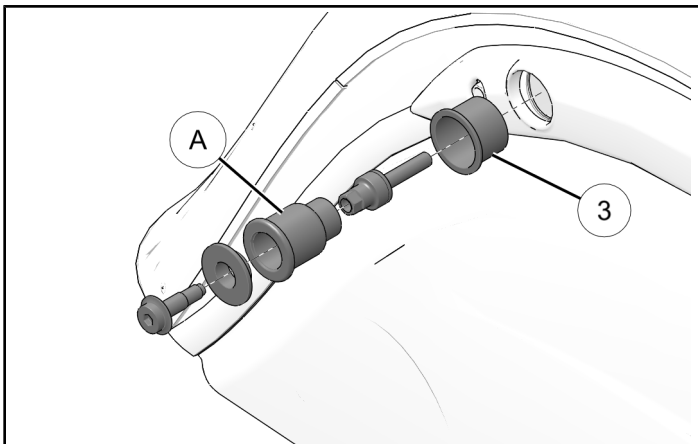
Spool/Bushing Fastener  
For MY14-18 Motorcycles:  
**25 ft-lbs (33.9 N·m)**



b. **Model Year 2019+:**

**TORQUE**

Spool Bushing Fastener  
For MY19+ Motorcycles:  
**32 ft-lbs (43.4 N·m)**



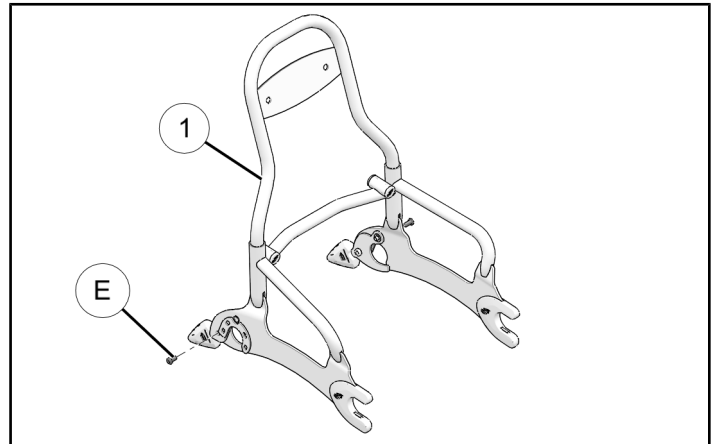
- Torque fender trim screws (C) to specification (if applicable).

**TORQUE**

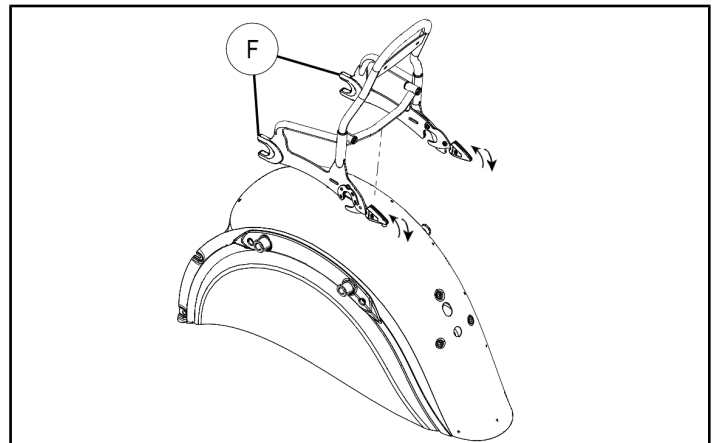
Fender Trim Screws (C):  
**84 in-lbs (9.2 N·m)**

**SUPPORT INSTALLATION**

- Remove two screws (E) from latches on passenger backrest (1).



- Place front mounts (F) of backrest onto front spool and bushing assembly. Rotate passenger backrest down onto vehicle and lock into place by rotating lock levers downwards as shown.



- For tamper resistant installation, install screws (E) and torque to specification.

**TORQUE**

Security Screw (E):  
**7.5 in-lbs (10.2 N·m)**

- Reinstall saddlebags per owner's manual.
- Install passenger backrest pad following the pad installation instructions.

## FEEDBACK FORM

A feedback form has been created for the installer to provide any comments, questions or concerns about the installation instructions. The form is viewable on mobile devices by scanning the QR code or by clicking [HERE](#) if viewing on a PC.

